



VKCD-13120F2810IR

Article number: 201286

1/3" Dome, Day&Night, WDR, Effio P, 2.8-10mm, 700TVL, infrared, 12/24V, IP67

Mainfeatures

1/3" Sony Effio-P double scan (960H)

Sensitivity of 0,1 Lux (F1.2 / colour)

Digital noise reduction 2&3DNR

Dynamic (light) intensity control (DIC)

IR illumination by 30 integral 850nm LEDs

Weatherproof, protection rating: IP67/IK10

Lens F1.2/2,8-10mm with DC iris control

Removable IR cut filter

Wide dynamic range (WDR)

Exact focus setting aid

Surface or flush mounting with clear bubble

Supply voltage: 12VDC/24VAC

Specifications

Sensor size	1/3"
Imager	CCD
Imager	Sony Effio-P double scan (960H)
System	True Day&Night
Sensitivity	0,1 Lux
Sensitivity	(colour), 0.03Lux (B&W) at F1.2 (measured), 50 IRE
Low speed shutter	yes
Low speed shutter	2x ~ 64x
Manual electronic shutter (MES)	1/53 ~ 1/10.000sec.
Wide Dynamic Range (WDR)	WDR
Wide Dynamic Range (WDR)	116dB
Flickerless function	yes

VKCD-13120F2810IR

Specifications continued

Backlight compensation	BLC, HS BLC (eclipser)
IR cut filter	switchable
Automatic electronic shutter (ESC)	1/53 ~ 1/10.000sec.
Automatic gain control (AGC)	automatic (with manual override)
White balance	ATW, push, manual, push lock, Anti CR, user defined
Signal-to-noise ratio	52db
Video standard	PAL
Lens type	varifocal
Focal length	2,8 - 10 mm
Digital zoom	yes
Aperture range (F)	F1.2
Aperture Correction (APC)	horizontal and vertical
Horizontal angle of view	81,2 - 27 °
Active picture elements	976(H) x 582(V) pixels
Horizontal resolution	700 TVL
Motion detector	yes
e-PTZ support	no
OSD function control	AGC, motion detection, DNR, brightness, sharpness, shutter control, H/V flip (mirror picture), day&night, privacy zones, white balance
Menu languages	English, German, French, Italian, Spanish, Polish, Japanese
Privacy zones masking	up to 15 zones (Tilt, Color, Transparency, Mosaic)
Mirror function	V flip, H-flip, H/V flip
Digital Noise Reduction (DNR)	2D & 3D
Digital Noise Reduction (DNR)	yes
Video outputs	composite (CVBS)
External connections	RS-485, voltage input, video (BNC)
Alarm inputs	no
Alarm outputs	no
Serial interfaces	RS-485
Serial interfaces protocols	Pelco D, Coaxitron
Series	eneo Callisto
Dimensions (HxWxD)	119x140
Illumination	infrared
Illumination	30x IR-LEDs 850nm, 60°
Illumination range	approx. 40m
Colour (housing)	Pantone 7541
Colour (bubble)	clear
Housing	outdoor
Housing material	metal (aluminium)
Weight	1.0kg
Heater	yes
Power consumption	7W
Blower	no
Mounting	wall mount, ceiling mount, flush mount

VKCD-13120F2810IR

Specifications continued

Window heater	yes
Protection rating	IP67
Supply voltage	(+/-15%) 50Hz
Supply voltage	12VDC, 24VAC
Temperature range (operation)	-50°C ~ +50°C
Text display	camera title
Vandalism resistant	yes
Vertical tilt range	65° (25° ~ 90°, ceiling as reference)
Certificates	CE, IK10
Parts supplied	manual, allen key, screw set, Video sub-out cable, drilling template

Special features

Exact focus setting aid, Digital image stabilizer, Built-in pressure valve

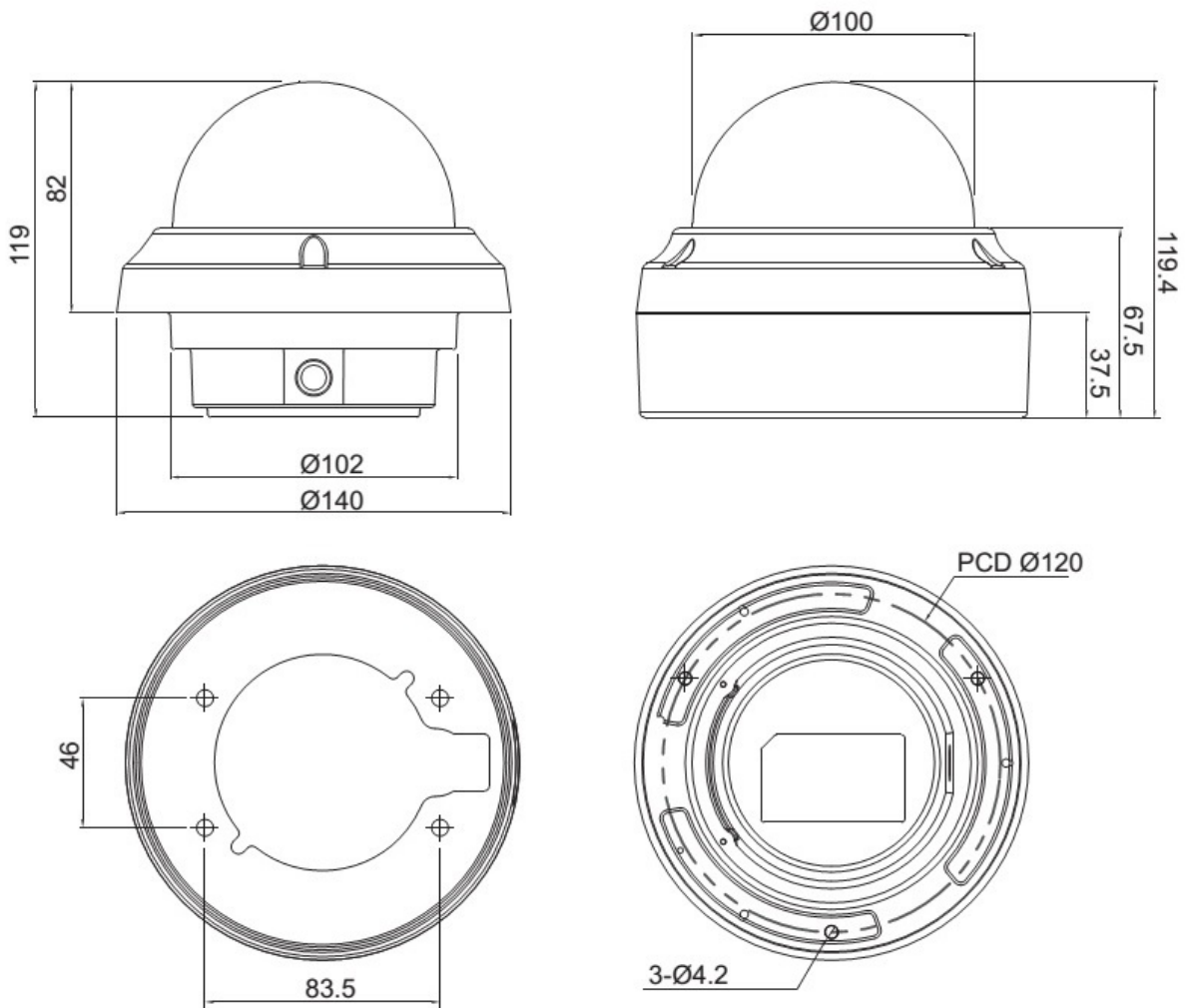
VKCD-13120F2810IR

Available Accessories

Bild	Art. Nr. / Bezeichnung	Beschreibung
	202642 / DOME-WB1	Wall Bracket, Callisto Dome Line
	203617 / RM-1000	Coaxitron Remote Controller, BNC IN / OUT, Cabel
	203658 / VT-PS12DC-11	Plug-in Power Supply Unit, 100-240VAC/12VDC (1.0A), Regulated, with DC Plug
	207192 / DOME/WEDGE2	Wedge Adapter, Callisto Dome Line

VKCD-13120F2810IR

Technical Drawing



Maße/Dimensions: mm

Your Contact Person



eneo is a registered trademark of
VIDEOR E. Hartig GmbH
Carl-Zeiss-Straße 8
63322 Rödermark
Deutschland
Tel.: +49 6074-888-333
E-Mail: info@eneo-security.com
Web: www.eneo-security.com