



VPT-40/24V-POT RAL7035

Article number: 200691

Pan/Tilt Head, Potentiometers, 24VAC, RAL7035

Mainfeatures

20kg load capacity

50/60Hz operation

High torques

Potentiometer at both axes

No maintenance required

Options: Heater

Supply voltage: 24VAC

Backlash: <0,2°

Hardened gears

Rugged housing

Protection rating: IP66

Specifications

Pattern	no
Autopan	no
Rotation range	359 °
Speed at nominal voltage	6°/sec. horizontal, 3°/sec. vertical (at 60 Hz: +20%)
Serial interfaces	voltage
Series	eneo VPT
Dimensions (HxWxD)	see drawing
Colour (housing)	RAL7035
Housing	Aluminium frame with plastic covers
Housing material	metal (aluminium), plastic
Weight	6.5kg
Heater	optional





VPT-40/24V-POT RAL7035

Specifications continued

Positioned freely	yes
Mounting of illuminator possible	optional
Protection rating	IP65
Supply voltage	24VAC
Temperature range (operation)	-20°C ~ +70°C
Temperature range with built-in heater	-40°C ~ +70°C
Load capacity	(load assembly in the horizontal and vertical center of gravity required)
Load capacity	20 kg
Backlash	<0.2°
Parts supplied	Screw set, 13-pin connector, Allen key (4mm)
Model	pan&tilt head

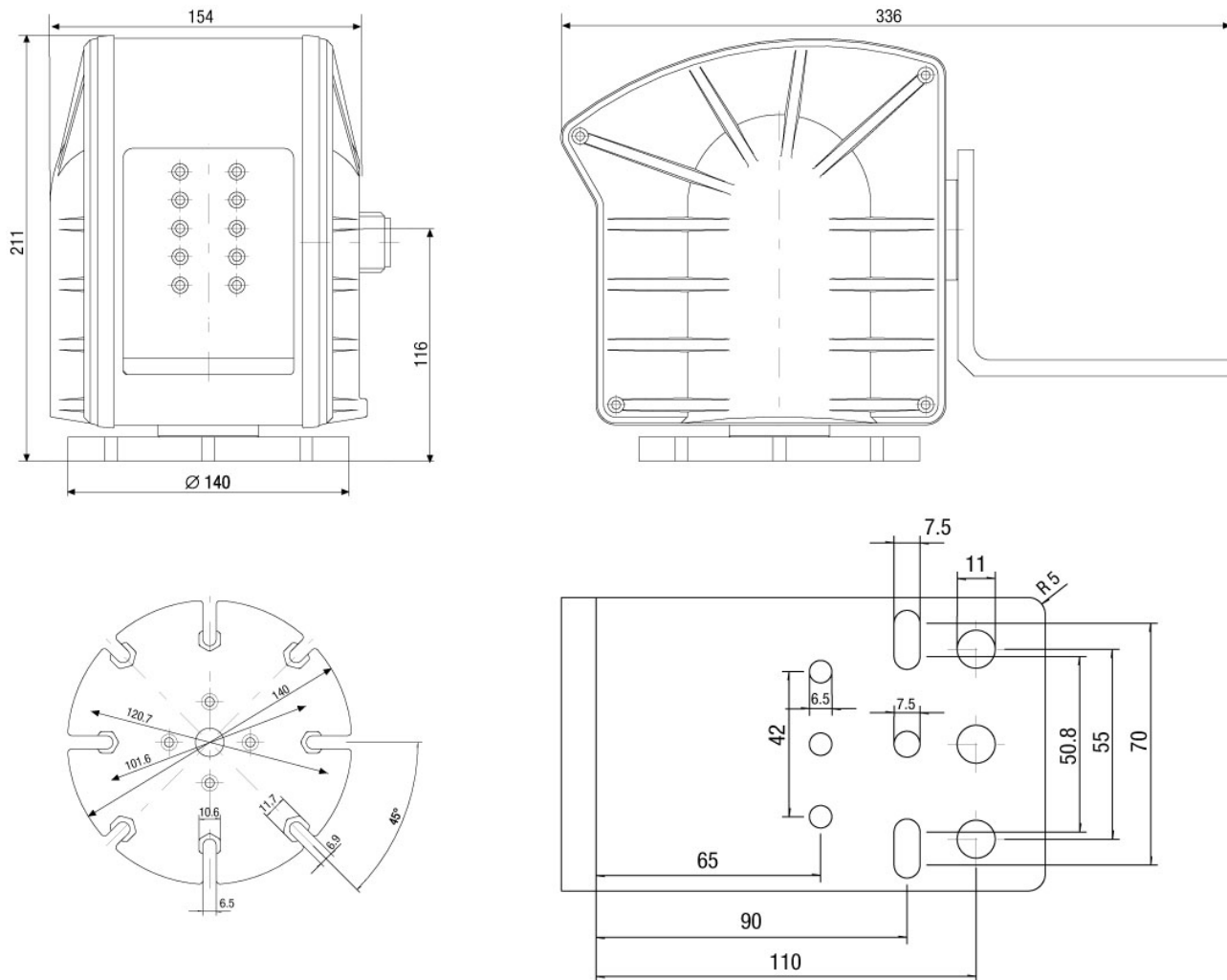
VPT-40/24V-POT RAL7035

Available Accessories

Bild	Art. Nr. / Bezeichnung	Beschreibung
	202413 / WD-2N1G-RAL7035	Wall Bracket for Pan/Tilt Heads VPT-40, RAL7035
	202418 / MK-22G	Pole Column Spacer for Pan/Tilt Heads 360°, 200mm Height, RAL7035
	203427 / WD-32 RAL7035	Wall Bracket for Pan/Tilt Heads, VPT-40/601/501 Series, RAL7035
	70449 / NE-128	Voltage supply unit 230V/24V-5A, IP66

VPT-40/24V-POT RAL7035

Technical Drawing



Maße/Dimensions: mm

Your Contact Person



eneo is a registered trademark of
VIDEOR E. Hartig GmbH
Carl-Zeiss-Straße 8
63322 Rödermark
Deutschland
Tel.: +49 6074-888-333
E-Mail: info@eneo-security.com
Web: www.eneo-security.com