



## VPT-40/24V RAL7035

Article number: 200689

Pan/Tilt Head, 24VAC, RAL7035

### Main features

20kg load capacity

50/60Hz operation

High torques

Rugged housing

Protection rating: IP66

Supply voltage: 24VAC

Backlash: <0,2°

Hardened gears

No maintenance required

Options: Heater

### Specifications

Pattern	no
Autopan	no
Rotation range	359 °
Speed at nominal voltage	6°/sec. horizontal, 3°/sec. vertical (at 60 Hz: +20%)
Serial interfaces	voltage
Series	eneo VPT
Dimensions (HxWxD)	see drawing
Colour (housing)	RAL7035
Housing	Aluminium frame with plastic covers
Housing material	metal (aluminium), plastic
Weight	6.5kg
Heater	optional
Positioned freely	no
Mounting of illuminator possible	optional





## VPT-40/24V RAL7035

### Specifications continued

Protection rating	IP66
Supply voltage	24VAC
Temperature range (operation)	-20°C ~ +70°C
Temperature range with built-in heater	-40°C ~ +70°C
Load capacity	(load assembly in the horizontal and vertical center of gravity required)
Load capacity	20 kg
Backlash	<0.2°
Parts supplied	Screw set, 7-pin connector, Allen key (4mm)
Model	pan&tilt head

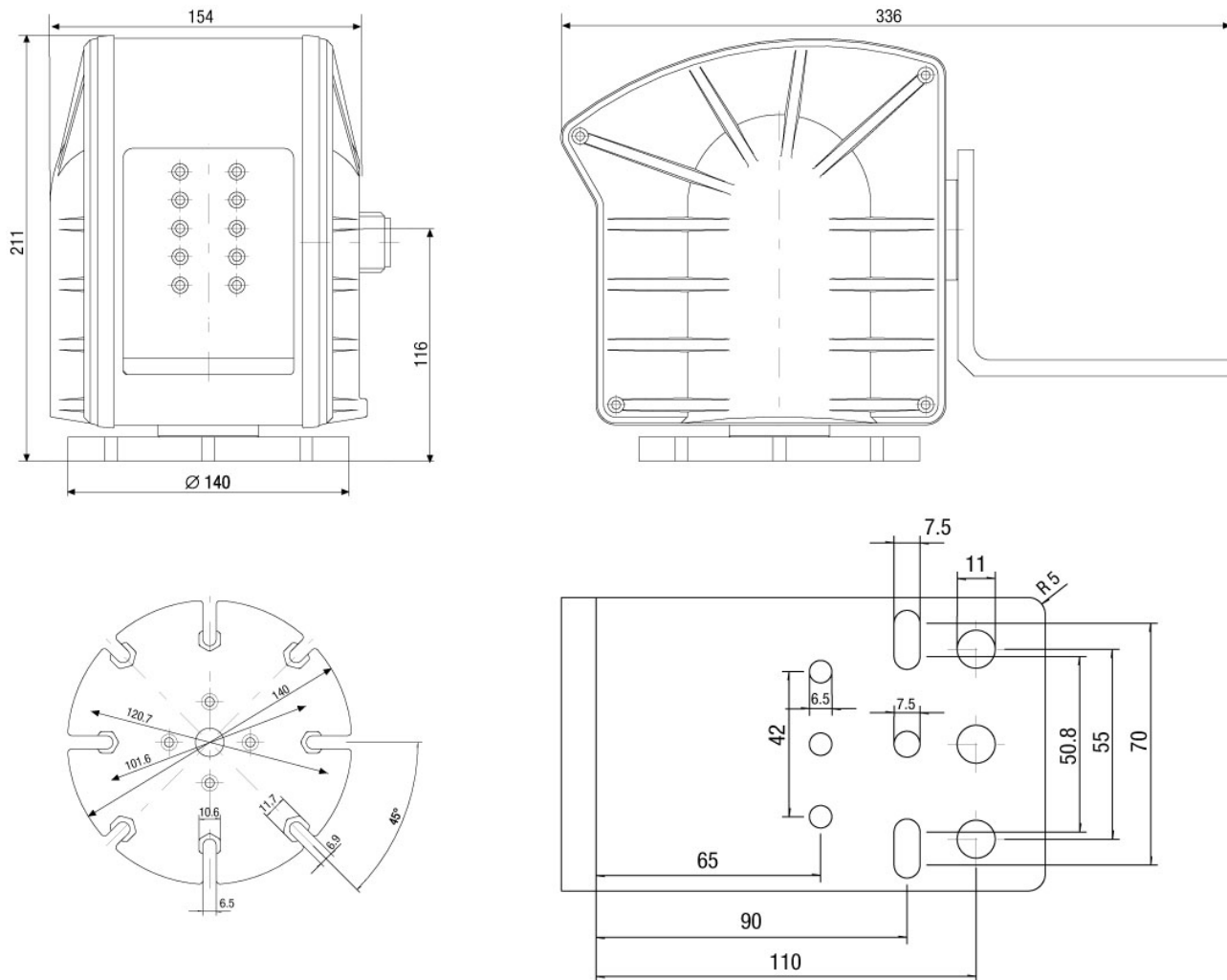
## VPT-40/24V RAL7035

### Available Accessories

Bild	Art. Nr. / Bezeichnung	Beschreibung
	202413 / WD-2N1G-RAL7035	Wall Bracket for Pan/Tilt Heads VPT-40, RAL7035
	202418 / MK-22G	Pole Column Spacer for Pan/Tilt Heads 360°, 200mm Height, RAL7035
	203427 / WD-32 RAL7035	Wall Bracket for Pan/Tilt Heads, VPT-40/601/501 Series, RAL7035
	70449 / NE-128	Voltage supply unit 230V/24V-5A, IP66

# VPT-40/24V RAL7035

## Technical Drawing



Maße/Dimensions: mm

## Your Contact Person



eneo is a registered trademark of  
VIDEOR E. Hartig GmbH  
Carl-Zeiss-Straße 8  
63322 Rödermark  
Deutschland  
Tel.: +49 6074-888-333  
E-Mail: info@eneo-security.com  
Web: www.eneo-security.com