



VKC-13100IR12Z

Article number: 200264

1/4" Camera, Day&Night, WDR, BLC, 12x, 3.8-45.6mm, 700TVL, 12V/24V, infrared, IP67

Mainfeatures

1/4" Double Scan CCD day&night camera (960H)

Horizontal video resolution 700 TVL

2D- / 3D-DNR powerful noise reduction

Motion detection (MD)

Fixation via central screw

Supply voltage 12VDC or 24VAC

True day&night mode with IR cut filter (ICR)

Integral 12x AF lens / 32 x digital zoom

Wide Dynamic Range (WDR) up to 512x

Easy installation, hidden cable routing

Integral IR LED illumination (40 LEDs 850nm)

Wall or ceiling mount

Specifications

Sensor size	1/4"
Imager	CCD
Imager	Sony Super HAD II (Double Scan)
System	True Day&Night
Sensitivity	0,16 Lux
Sensitivity	(colour), 0.08Lux (B&W) at F1.2, 50 IRE
Low speed shutter	yes
Low speed shutter	2x ~ 512x .
Manual electronic shutter (MES)	1/50 ~ 1/100,000sec.
Wide Dynamic Range (WDR)	WDR
Flickerless function	ON/OFF switchable
Backlight compensation	ON/OFF switchable, automatic, manual, 9 adjustable zones

VKC-13100IR12Z

Specifications continued

Backlight compensation	BLC
IR cut filter	switchable
Automatic electronic shutter (ESC)	1/50 ~ 1/100,000sec.
Automatic gain control (AGC)	ON/OFF switchable
White balance	automatic, manual, one push, indoor, outdoor, ATW
Signal-to-noise ratio	50dB (AGC OFF)
Video standard	PAL
Lens type	auto focus zoom
Zoom factor	12x
Focal length	3,8 - 45,6 mm
Digital zoom	yes
Aperture range (F)	F1,6~F2,7
Iris control	DC
Filter screw size	not available
Horizontal angle of view	45,6 - 4,0 °
Active picture elements	976(H) x 582(V) pixels
Horizontal resolution	700 TVL
Motion detector	yes
Dynamic Light Intensity Control (DIC)	no
e-PTZ support	no
OSD function control	AGC, DNR, colour/B&W, motion detection, WDR/BLC, privacy zones, white balance, text, effect (freeze, pos./neg., flickerless), sharpness correction, shutter control, brightness
Menu languages	English, Korean
Privacy zones masking	16 zones masking, ON/OFF switchable
Mirror function	vertical, horizontal, 180° rotation
Digital Noise Reduction (DNR)	2D-DNR, 3D-DNR
Digital Noise Reduction (DNR)	yes
Video outputs	composite (CVBS)
Video outputs	1Vp-p, (C)VBS, 75ohms, BNC
Alarm inputs	no
Alarm outputs	no
Serial interfaces	RS-485
Serial interfaces protocols	Pelco D, Pelco P, Visca
Series	eneo Candid Medium
Dimensions (HxWxD)	100x107,8x277mm
Illumination	infrared
Illumination	40x IR-LEDs 850nm, 60°
Illumination range	approx. 60m
Colour (housing)	Pantone 7541
Housing	outdoor
Housing material	metal (aluminium)
Weight	1.3kg
Integrated wall mount	yes
Power consumption	approx. 10W

VKC-13100IR12Z

Specifications continued





Mounting	wall mount, ceiling mount
Window heater	no
Protection rating	IP67
Hidden cable management	yes
Supply voltage	(+/-10%)
Supply voltage	12VDC, 24VAC
Temperature range (operation)	-20°C ~ +50°C
Text display	title and camera ID
Vandalism resistant	no
Certificates	CE
Parts supplied	manual, screw set, allen key, mounting plate, Video sub-out cable

Special features

Built-in pressure valve

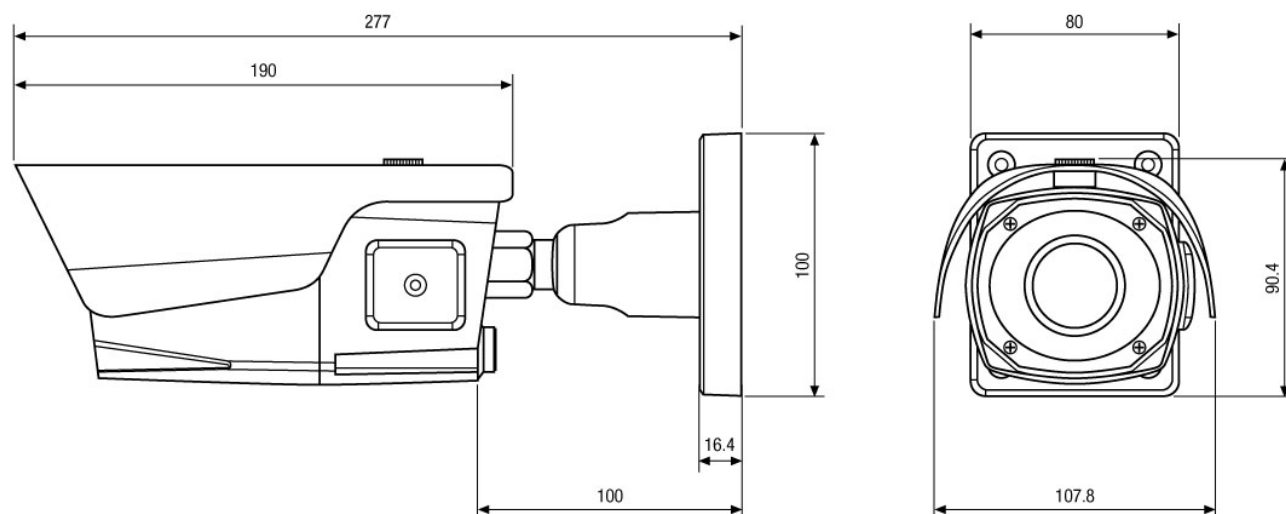
VKC-13100IR12Z

Available Accessories

Bild	Art. Nr. / Bezeichnung	Beschreibung
	202641 / PM-42A	Pole mount adaptor for eneo Candid, Candid S, Candid M, Candid L, W3, WB1, AK-5, AK-4
	202888 / AK-4	Camera junction box, for Candid Small ,Candid Medium, Candid Large Series
	203658 / VT-PS12DC-11	Plug-in Power Supply Unit, 100-240VAC/12VDC (1.0A), Regulated, with DC Plug
	70527 / NE-132/AC24V	Power Supply Unit 230VAC/24VAC (1.0A)

VKC-13100IR12Z

Technical Drawing



Maße/Dimensions: mm

Your Contact Person



eneo is a registered trademark of
VIDEOR E. Hartig GmbH
Carl-Zeiss-Straße 8
63322 Rödermark
Deutschland
Tel.: +49 6074-888-333
E-Mail: info@eneo-security.com
Web: www.eneo-security.com