



EN

DE

FR

IT

Quick Installation Guide

**1/2.8" Network Dome, Fixed,
Day&Night, 1920x1080, Infra-
red, 12VDC, PoE, IP66**

IED-62F0036M0A

IED-62V2812M0B

Table of contents

Parts supplied	5
Part names	6
Installation instructions	7
Pan & Tilt adjustments	8
Zoom & focus adjustments (Vari-focal lens type).....	8
Installation and commissioning Instructions.....	9
Quick Network Setup	10
Web viewer description	11
Player control & Display	11
User Manual	12
Setup Menu Table	13
Quick Setup	15
Information	15
Users	15
Add	16
Edit.....	16
Delete	17
Date & Time	17
Current Time	17
New Time.....	17
Time Zone	17
Day & Time Display	18
Network	18
IPv4 Address	18
IPv6 Address	19
DNS	19
Further information	20

Safety instructions

EN

General safety instructions

- Before switching on and operating the system, first read this safety advice and the operating instructions.
- Keep the operating instructions in a safe place for later use.
- Installation, commissioning and maintenance of the system may only be carried out by authorised individuals and in accordance with the installation instructions - ensuring that all applicable standards and guidelines are followed.
- Protect the devices from water penetration and humidity, since these can cause lasting damage.
- Should moisture nevertheless enter the system, under no circumstance switch on the devices under these conditions, instead send them for examination to an authorised specialist workshop.
- The system must never be used outside of the technical specifications, since this can destroy it.
- The device must be protected from excesses of heat, dust, humidity and vibration.
- When separating the system from the voltage supply, only ever use the plug to pull out the cable. Never pull directly on the cable itself.
- Lay the connecting cables carefully and check that they are not mechanically stressed, kinked or damaged and that no humidity can penetrate into them.
- In the event of a malfunction, please inform your supplier.
- Maintenance and repairs may only be carried out by authorised specialist personnel.
- The system must be isolated from the power supply before opening the housing.
- The device may only be opened by qualified service personnel. Unauthorised access invalidates any warranty claim.
- Connection cables should always be exchanged through Videor E. Hartig GmbH.
- Use only original spare parts and accessories from Videor E. Hartig GmbH.
- The housing should only be cleaned using a mild domestic cleaning agent. Never use solvents or petrol as these can permanently damage the surface.
- During installation, it is essential to ensure that the seals provided are correctly installed and that they are not displaced during installation. Damaged seals must not be installed and will invalidate any warranty.
- The installer is responsible for the maintenance of the enclosure as per the technical data, e.g. by sealing the cable outlets with silicone.
- Wire end ferrules should be used when shortening the flexible connection cables.
- The devices may only be operated in the temperature range indicated in the data sheet and within the defined air humidity range.

Product - Specific Safety Instructions

- The camera may never be pointed directly at the Sun with the aperture open (this will destroy the sensor).
- It is unavoidable that during manufacture and to a certain extent during later use, humidity will be present in the ambient air within the device's housing. In the event of large temperature fluctuations, this humidity may condense inside the housing.
- To avoid this condensation inside the very tightly sealed housing, the manufacturer has inserted silica gel sachets in the housing of the various camera types.
- It is however a physical given, that these silica gel bags will reach saturation after a certain amount of time. They should therefore be replaced with new silica gel sachets.
- During installation, it is essential to ensure that the seals provided are correctly installed and that they are not displaced during installation. Damaged seals must not be installed and will invalidate any warranty.
- A multipolar, easily accessible isolation device should be installed in the proximity of the IR Spotlight, in order to disconnect the device from the power supply for service work.
- The earth connection must be made according to the low impedance requirement of DIN VDE 0100.
- Subsequent painting of the equipment surface can impair the function.
- Any warranty claim is invalidated by subsequent painting.
- A safety margin of > 1m from the spotlight must be maintained when viewing directly into the IR Spotlight in a darkened environment.
- Do not look directly at invisible LED radiation using optical instruments (e.g. a reading glass, magnifying glass or microscope), since this can endanger the eyes, LED Class 1M.
- Operation of the IR spotlight with a defective cover or during repair is prohibited.

Class A device note

This is a Class A device. This device can cause malfunctions in the living area; in such an event, the operator may need to take appropriate measures to compensate for these.

WEEE (Waste Electrical & Electronic Equipment)

Correct Disposal of This Product (Applicable in the European Union and other European countries with separate collection systems).



This marking shown on the product or its literature, indicates that it should not be disposed with other household wastes at the end of its working life. To prevent possible harm to the environment or human health from uncontrolled waste disposal, please separate this from other types of wastes and recycle it responsibly to promote the sustainable reuse of material resources. Household users should contact either the retailer where they purchased this product, or their local government office, for details of where and how they can take this item for environmentally safe recycling. Business users should contact their supplier and check the terms and conditions of the purchase contract. This product should not be mixed with other commercial wastes for disposal.

Graphical symbols

Please pay attention to the safety instructions, and carefully read through this instruction guide before initial operation.



Important points of warning are marked with a caution symbol.

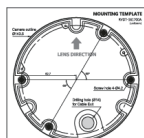
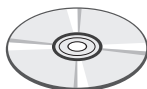
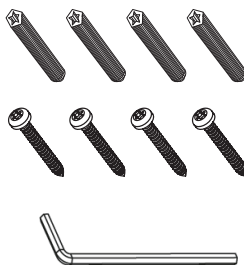
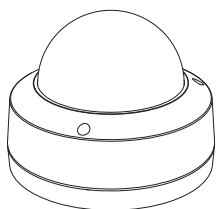


Important points of advice are marked with a notice symbol.

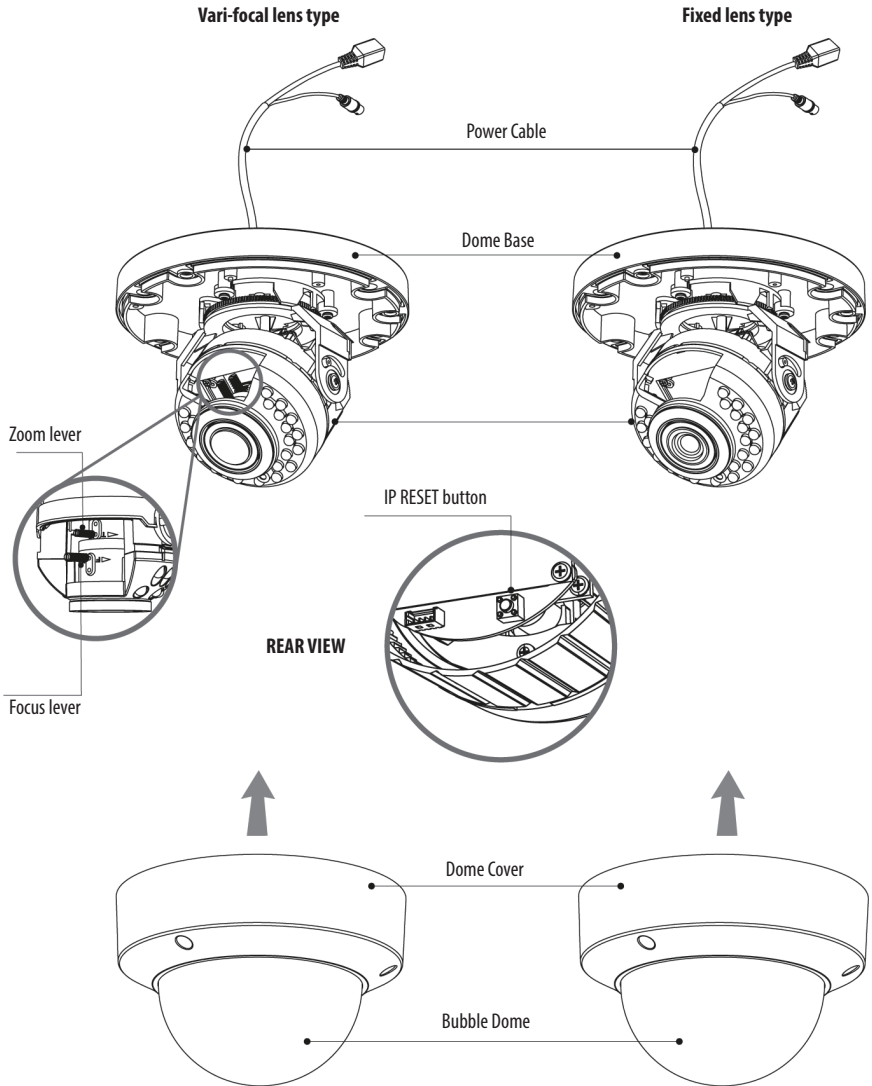
Parts supplied

- Network Camera
- Operating Instruction
- Installation CD
- Mounting Template
- Plastic Anchor: 6.5 x 26.6mm (4x)
- Mounting Screw: 4 x 25mm (4x)
- L-Wrench (1x)

EN



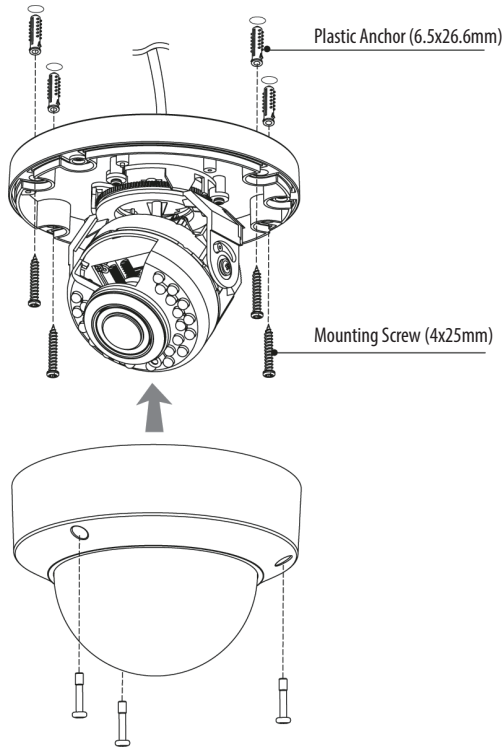
Part names



Installation instructions

1. Drill four holes for mounting on the ceiling or wall.
2. Place the dome base at the pre-drilled installation position and fix it by using mounting screws.
3. Route the power & ethernet cable to the connecting place.
4. Adjust the camera's viewing angle (Pan, Tilt, Rotation)
5. Assemble the dome cover to the dome base unit.

EN



CAUTION:

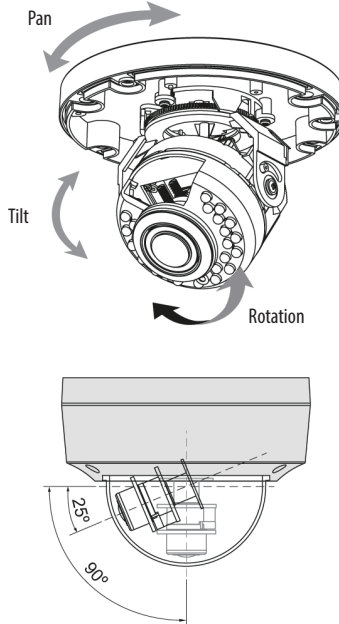
Extreme care should be taken NOT to scratch the lens and the bubble dome surface while the camera installing or adjusting. Care should be taken the cable is NOT to be damaged, kinked or exposed in the hazardous area. Do not expose the camera directly to a strong light source such as the sun or spot light.

Pan & Tilt adjustments

Pan limit: Adjusts the first pan angle by turning the gimbal 360°.

Tilt limit: Tilt is limited to 25°min ~ 90°max. with reference to the ceiling when the inclination of camera module is 0°, that is, the image is aligned horizontally.

Rotation limit (Horizontal image alignment): Adjust the rotation angle by turning the upper gimbal 360°.



CAUTION:

Be careful with the cable twisting during pan or tilt adjustments.

Zoom & focus adjustments (Vari-focal lens type)

- Turn the Focus lever to "N"(Near) or "∞"(Far) until the sharpest focus is made.
- To widen the viewing angle, turn the Zoom to "W"(Wide) and to obtain a closer view, turn it to "T"(Tele)

Installation and commissioning Instructions

Make sure the power is removed before the installation. After all connections are finished properly, follow the order for applying power.

1. Plug the network cable into RJ-45 Ethernet Port. If PoE is the unique power, there will be no need to connect Power jack.
2. When DC12V Local power is necessary, connect the low voltage (DC12V) first, then plug the DC adapter to DC outlets to avoid an improper reset from power jitter and a damage from the surge voltage when no load.

i When PoE and Local DC power are connected at the same time, local power has priority. Camera can work with either DC12V or PoE(IEEE Std. 802.3af). Primary and secondary grounds are completely isolated to avoid the possible ground loop problems.

Quick Network Setup

1. After the camera is connected to the network, start '*eneo Site Manager*' tool (downloadable from www.eneo-security.com).
2. You will get a list of cameras connected to the local network. Highlight your camera in the list and open a context menu with a click of the right mouse button.
3. Select the „Set IP Address [dhcp / static]“ option to open a window for setting the cameras IP properties. When you are done click the „OK“ button to update the camera settings.
4. By default the camera is set to DHCP. If there is no DHCP server present in the network the camera will fall back to a default IP address after a while. In this scenario please only add one camera at a time to the network to avoid conflicts due to identical IP addresses.
The network camera's default IP address is: **192.168.1.10**.
5. Right clicking the device name in the eneo Site Manager will bring up the context menu. Use the '*Open Device Web Site*' option to access the camera.
6. The web viewer login page will open up in your default web browser.
In case of Microsoft Internet Explorer install Active-X named VIDEOR E. Hartig GmbH according to the instruction at the bottom of the browser.
7. Use the default user name and password to log in.

Default user name: admin

Default password: admin



The screenshot shows the login interface for the eneo Site Manager. At the top left is the eneo logo, and at the top right is the IP address 'xxx-xxxxxxxxxx'. Below the header is a login form with two input fields: the first is for the username 'admin' and the second is for the password, shown as six dots. There is a checkbox labeled 'Jump to setup' and a 'Login' button at the bottom.

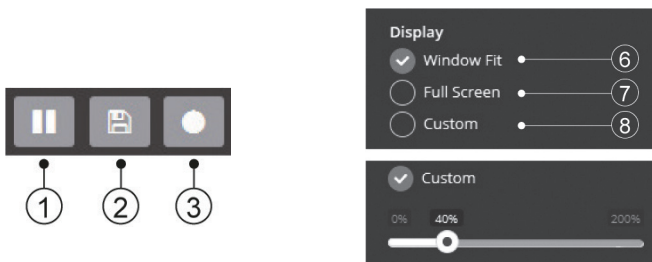
Web viewer description



EN

- (A) Menu button : Click the button to show or hide the setup menu bar.
- (B) Model name : Show a camera model name connected.
- (C) Select Language : Set the web viewer language English, Deutsch or French.
- (D) Main setup menu bar : Set the camera or network functions.
- (E) Camera monitoring window: Display the currently connected camera view or function.
- (F) Log out and exit the web viewer

Player control & Display

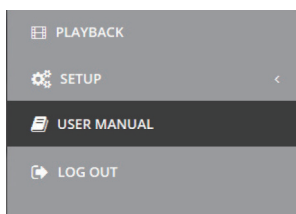


- (1) Pause: Freeze the current video.
- (2) Snapshot: Take a picture of the video image currently on display. Supports the origin image size view, print, and save feature.Speaker: Enables audio to be output to the audio out port.

- (3) Record: Not Available
- (4) Window Fit: Display live view to fit the window size.
- (5) Full Screen: Resizes the live view display to fit to the monitor resolution. ESC key returns to the previous view.
- (6) Custom: Selects the live view display scale, 0%~200%, by the control bar. 100% is the original size.

User Manual

Help the menu function. Click and pop-up the page about current menu description.



Setup Menu Table

EN

Category	Menu	Configuration		
LIVE VIEW	Player Control	Pause, Snapshot, Record (*)		
		Display (Window Fit, Full Screen, Custom)		
	Video Stream	Stream1, Stream2, Stream3		
	Protocol	HTTP, TCP, UDP		
	PTZ Control (*)	Zoom, Focus, Push AF		
PLAYBACK (*)	Event Search, Timeline Search, Timeline Bar			
SETUP	Information	General, System Information, Open source Information		
	Video & Image	Source		
		Stream1/2/3		
		Image	Basic	Brightness, Contrast, Saturation, Hue, Sharpness, Enable flip image, Enable mirror image
			OSD	Enable text OSD, Enable date&time OSD, Enable zoom&focus OSD (*), Mode
			AE	Mode, Shutter, Max shutter, Gain, Max gain, Slow Shutter, Auto iris, Auto flicker-less
			AWB	Mode, Cb Gain, Cr Gain
			AF (*)	Mode, Speed, Lens Locking, Locking Timer, Lens Calibration, Enable Day&Night sync focus
			Day&Night	Mode, Switching time, Threshold (D->N), Threshold (N->D), IR LED Control, Smart IR
			WDR	WDR(Mode, Level), Defog (Mode)
			BLC	BLC (Mode, Level), HLC (Mode)
			DNR	2DNR(Mode, Level), 3DNR(Mode, Level)
			LDC	Mode, Level, Boundary Line
		VerticalView	Mode, Rotation	
		Privacy Mask	Color, Name	
Digital Zoom	Level			

SETUP	Record (*)	Record	Overwrite when storage is full, Continuous record setting
		Schedule	
		Storage	Format, Remove, Storage Information
	Event	Triggers	Motion, VCA, Tamper, Alarm In, System, Manual, Network, Timer, Day/Night
		Actions	Record (*), Alarm Out, E-Mail, FTP, Video Boost, Notification Server
		Rules	Event Processing, ONVIF Mapping
	System	Security	User, HTTPS, IP Filter, ONVIF, Video Stream, Export/Import
		Date & Time	Current Time, New Time, Time Zone, Date & Time Display
		Network	TCP/IP, DDNS, RTP, UPnP, Zeroconf, Bonjour
		Language	English, German, French, Polish, Finnish, Korean
		Maintenance	Maintain (Restart, Reset, Default), Upgrade, Setup Export, Setup Import
		Log & Report	Logs (Database Capacity, Search Condition, Log List), Report
	USER MANUAL		
LOG OUT			

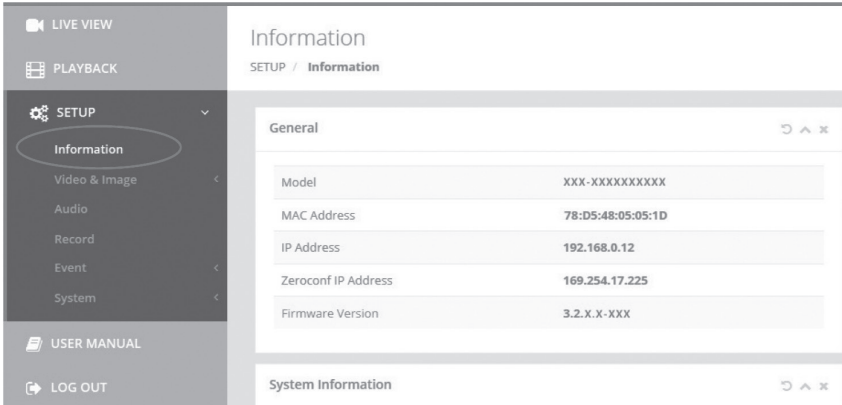
(*) Not Available

Quick Setup

Information

EN

Shows the overall information about the system such as Model name, MAC address, IP address, Zeroconf, IP address, Firmware version, Server time, Running time, CPU usage, Inbound/Outbound Bandwidth and Open source list.



The screenshot shows the 'Information' page in a web interface. The left sidebar has a 'SETUP' menu with 'Information' selected. The main content area is titled 'Information' and shows a 'General' section with the following data:

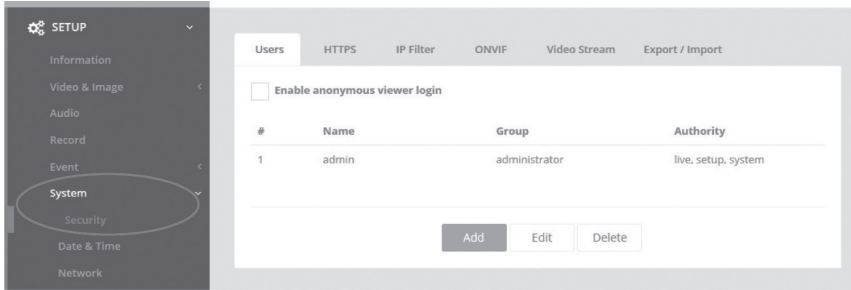
General	
Model	XXX-XXXXXXXXXX
MAC Address	78:D5:48:05:05:1D
IP Address	192.168.0.12
Zeroconf IP Address	169.254.17.225
Firmware Version	3.2.X.X-XXX

Below the 'General' section, there is a 'System Information' section which is partially visible.

Users

Manages the user accounts by names, groups and authorities.

- Mark ENABLE ANONYMOUS VIEWER LOGIN if anyone is permitted to login anonymously. Accessing SETUP menu with the anonymous login will exit and require ID/Password login.
- > USERS : Can be added, edited or deleted.

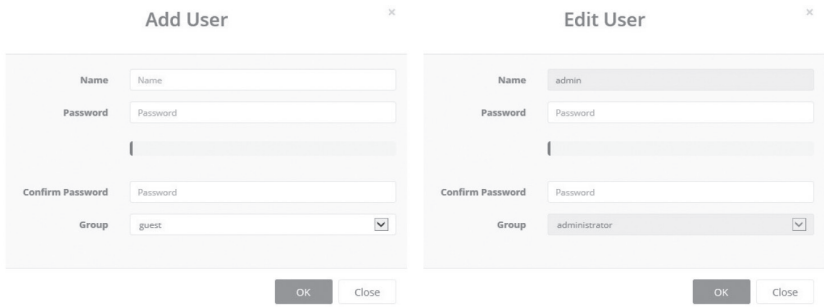


Click the Add, Edit, or Delete button for managing user account.

Add

To add a new user:

1. Click the Add tab, and type a new user name. (1 to 14 alphanumeric characters). User names are not case sensitive.
2. Type a password and retype confirm password. (1 to 8 alphanumeric characters). Passwords are case sensitive.
3. Select one of the groups you wish to assign to the user.
4. Click the OK button to save the settings and add a new user.



Edit

To edit a user:

1. Select one of the User Names in the User List you want to modify.

2. Click the Edit tab, then new pop-up window appears.
3. Type a password (1 to 8 alphanumeric characters) and retype confirm password.
The user name can't be modified.
4. Select one of the groups you wish to assign to the user.
5. Click the OK button to save the settings and modify a user.

Delete

To delete a user:

1. Select one of the User Names in the User List you want to remove.
2. Click the Delete tab. A dialog box appears with confirmation message.
3. Click the OK button. The user profile is removed from the User List profile.

Date & Time

Current Time

Shows the current date and time. Clicking SAVE tap updates and saves the date and time with the selected time in NEW TIME.

New Time

Select one of the following server time.

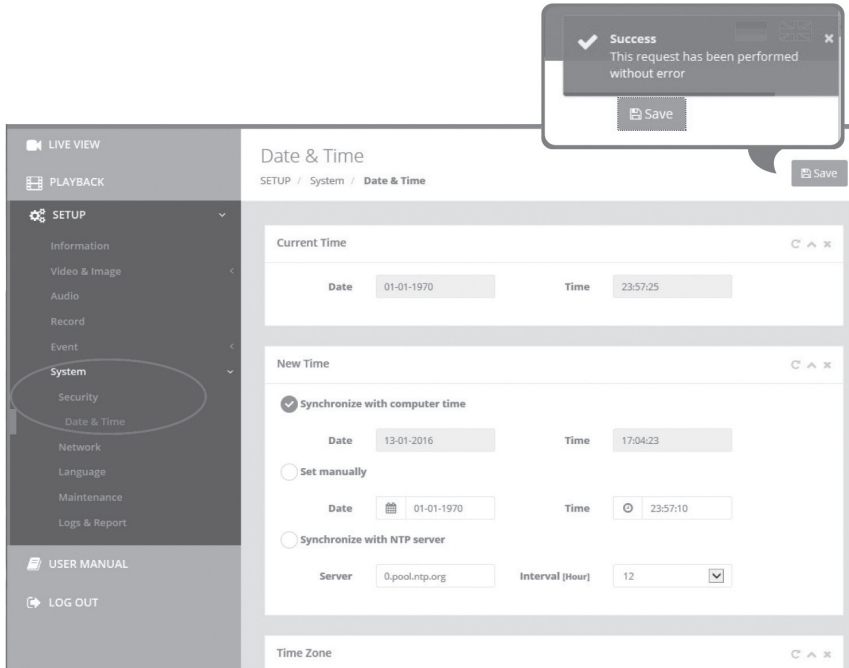
- Synchronize with computer time: Obtains the time from the computer.
- Set manually: Sets the date and time manually.
- Synchronize with NTP Server: Obtains the time from the assigned NTP server at every hour in INTERVAL. The NTP server's IP address or host name has to be specified in the time server.

Time Zone

Select the time zone to be referenced to the NTP server where the camera is installed Mark AUTOMATICALLY ADJUST FOR DAYLIGHT SAVING CHANGES check box to update the time automatically with daylight savings

Day & Time Display

Select the date & time formats to be displayed.



Network

The DHCP (Dynamic Host Configuration Protocol) server has a feature that automatically assigns an IP address to the device if there is a device on the network.

IPv4 Address

Obtain IP address via DHCP :

Gets the IP address assigned by the DHCP (Dynamic Host Configuration Protocol) server.

Status:

'Allocated' shows that the IP address is obtained from the DHCP.

IP address, Subnet mask, Gateway:

Displays the current IP address which is obtained from the DHCP

Use the following IP address:

Select the choice box if you want to assign the IP address manually.

EN

IPv6 Address

Mark ENABLE check box to use IPv6 address and click SAVE button, then new IPv6 address will be obtained.

DNS

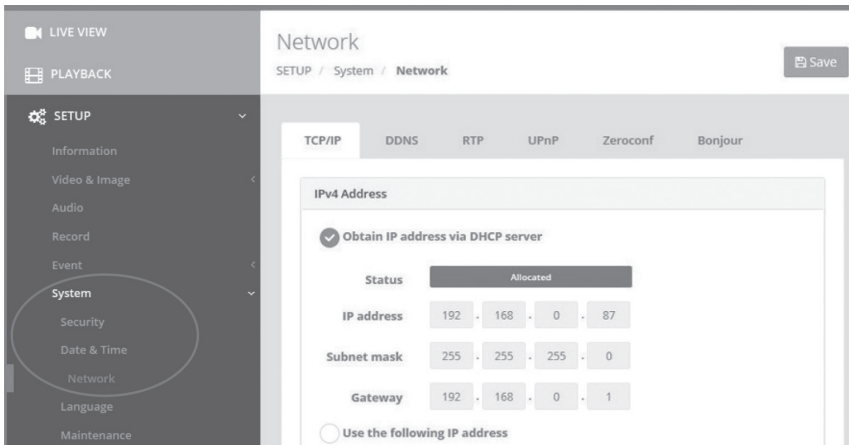
Obtain DNS address via DHCP :

Obtains the DNS address automatically assigned by DHCP server.

Use the following DNS address :

Requires manual input as per below.

- DOMAIN NAME : Enter the domain for the host name
- PRIMARY DNS SERVER : Enter the IP address of the primary DNS server.
- SECONDARY DNS SERVER : Enter the IP address of the secondary DNS server.



Further information

Make sure to always upgrade to the latest firmware version available from the eneo website at www.eneo-security.com to receive the latest functionality for your product.

The manual, and other software tools are available on the eneo website at www.eneo-security.com or on the included CD.

Information on compatible video management software solutions can be found in the category *Videomanagement* at www.eneo-security.com.

Open Source Software

The software included in this product contains copyrighted software that is licensed under open source licenses.

You may obtain the complete corresponding source code from eneo for a period of three years after the last shipment of this product by sending email to: opensource@eneo-security.com.

If you want to obtain the complete corresponding source code with a physical medium such as CD-ROM, the cost of physically performing source distribution might be charged.

For more details about Open Source Software, refer to the eneo website at www.eneo-security.com or an included product CD.

Inhaltsverzeichnis

Lieferumfang	24
Bezeichnungen von Gerätekomponenten	25
Installationsanweisungen	26
Einstellung von Schwenkung und Neigung.....	27
Zoom- und Fokuseinstellung (nur das Modell mit variabler Brennweite).....	28
Montage- und Inbetriebnahmeanleitung.....	28
Schnelle Netzwerkkonfiguration	29
Beschreibung des Web-Viewers	30
Player-Steuerung & Anzeige	30
Benutzerhandbuch	31
Übersicht des Konfigurationsmenüs.....	32
Schnellkonfiguration	34
Information	34
Benutzer	34
Hinzufügen	35
Bearbeiten	36
Löschen.....	36
Datum/Uhrzeit	36
Aktuelle Uhrzeit	36
Neue Uhrzeit	36
Zeitzone.....	37
Datum- & Uhrzeitanzeige.....	37
Netzwerk	38
IPv4-Adresse	38
IPv6-Adresse	38
DNS	38
Weitere Informationen	40

Sicherheitsanweisungen

Sicherheitshinweise allgemein

- Bevor Sie das System anschließen und in Betrieb nehmen, lesen Sie zuerst diese Sicherheitshinweise und die Betriebsanleitung.
- Bewahren Sie die Betriebsanleitung sorgfältig zur späteren Verwendung auf.
- Montage, Inbetriebnahme und Wartung des Systems darf nur durch dafür autorisierte Personen vorgenommen und entsprechend den Installationsanweisungen - unter Beachtung aller mitgeltenden Normen und Richtlinien - durchgeführt werden.
- Die Geräte gegen Eindringen von Wasser und Feuchtigkeit schützen, dies kann zu dauerhaften Schäden führen.
- Sollte dennoch Feuchtigkeit eingedrungen sein, die Geräte nie unter diesen Bedingungen einschalten, sondern zur Überprüfung an eine autorisierte Fachwerkstatt geben.
- Das System darf nie außerhalb der technischen Daten benutzt werden, da es zerstört werden kann.
- Das Gerät ist vor großer Hitze, Staub, Feuchtigkeit und Vibrationseinwirkung zu schützen.
- Um das System von der Versorgungsspannung zu trennen, ziehen Sie das Kabel nur am Stecker heraus. Ziehen Sie nie direkt am Kabel.
- Verlegen Sie die Verbindungskabel sorgfältig und stellen Sie sicher, dass die Kabel nicht mechanisch beansprucht, geknickt oder beschädigt werden und keine Feuchtigkeit eindringen kann.
- Falls Funktionsstörungen auftreten, benachrichtigen Sie bitte Ihren Lieferanten.
- Wartung und Reparaturen dürfen nur von autorisiertem Fachpersonal ausgeführt werden.
- Vor Öffnen des Gehäuses ist eine Netztrennung erforderlich.
- Das Gerät darf nur von qualifiziertem Servicepersonal geöffnet werden. Fremdeingriffe beenden jeden Garantieanspruch.
- Anschlusskabel sollten immer nur durch VIDEOR E. Hartig GmbH ausgetauscht werden.
- Verwenden Sie nur Originalersatzteile und Original-Zubehör von VIDEOR E. Hartig GmbH.
- Zur Reinigung der Gehäuse immer nur ein mildes Haushaltsmittel verwenden. Niemals Verdüner oder Benzin benutzen, dies kann die Oberfläche dauerhaft schädigen.
- Bei der Montage muss grundsätzlich darauf geachtet werden, dass vorhandene Dichtungen ordnungsgemäß eingesetzt und bei der Montage nicht verschoben werden. Beschädigte Dichtungen dürfen nicht mehr verbaut werden und führen zum Erlöschen des Garantieanspruchs.
- Der Errichter ist für die Aufrechterhaltung der Schutzart laut technischer Daten verantwortlich, z.B. durch Abdichtung des Kabelaustritts mit Silikon.
- Bei Kürzung von flexiblen Anschlussleitung sind Aderendhülsen zu verwenden.
- Die Geräte dürfen nur in den im Datenblatt angegebenen Temperatur- und Luftfeuchtigkeitsbereichen betrieben werden.

Produktspezifische Sicherheitshinweise:

- Die Kamera darf nie mit geöffneter Blende direkt gegen die Sonne gerichtet werden (dies zerstört den Sensor).
- Es lässt sich nicht vermeiden, dass im Rahmen der Fertigung und auch beim späteren Gebrauch in gewissem Umfang Feuchtigkeit der Umgebungsluft im Gehäuse vorhanden ist. Bei starken Temperaturschwankungen kann sich die Feuchtigkeit im Gehäuse niederschlagen.
- Um dies in dem sehr dicht abschließenden Gehäuse zu vermeiden, hat der Hersteller bei verschiedenen Kameratypen Silicagel-Beutel in das Kameragehäuse eingelegt.
- Es ist eine physikalische Gegebenheit, dass diese Silicagel-Beutel nach einer gewissen Zeit eine Sättigung erreichen. Sie sollten deshalb gegen neue Silicagel-Beutel ausgetauscht werden.
- Bei der Montage muss grundsätzlich darauf geachtet werden, dass vorhandene Dichtungen ordnungsgemäß eingesetzt und bei der Montage nicht verschoben werden. Beschädigte Dichtungen dürfen nicht mehr verbaut werden und führen zum Erlöschen des Garantieanspruchs.
- In der Nähe des IR-Scheinwerfers ist eine mehrpolige, leicht zugängliche Trennvorrichtung zu installieren, um das Gerät bei Servicearbeiten frei schalten zu können.
- Die Schutzleiterverbindung muss nach DIN VDE 0100 entsprechend niederohmig ausgeführt werden.
- Nachträgliches Lackieren der Geräteoberfläche kann die Funktion beeinträchtigen.
- Durch das Nachlackieren erlischt jeglicher Gewährleistungsanspruch.

- Bei abgedunkelter Umgebung und direktem Blick in den IR-Scheinwerfer ist ein Sicherheitsabstand von > 1 m zum Scheinwerfer einzuhalten.
- Unsichtbare LED Strahlung nicht direkt mit optischen Instrumenten (z.B. Lupe, Vergrößerungsglas oder Mikroskop) betrachten, da dies Augen gefährden kann, LED Klasse 1M.
- Der Betrieb des IR-Scheinwerfers bei defekter Abdeckung oder bei Reparatur ist untersagt.

Hinweis für Geräte der Klasse A

Dies ist ein Gerät der Klasse A. Dieses Gerät kann im Wohnbereich Funktionsstörungen verursachen; in diesem Fall kann vom Betreiber verlangt werden, angemessene Maßnahmen durchzuführen und dafür aufzukommen.

DE

WEEE-Richtlinie (Elektro- und Elektronik-Altgeräte)

Ordnungsgemäße Entsorgung dieses Produkts (Gilt für die Europäische Union und die anderen Europäischen Länder mit getrennten Sammelsystemen)



Dieses am Produkt oder in seiner Dokumentation gezeigte Symbol bedeutet, dass es am Ende seiner Lebensdauer nicht mit dem Hausmüll entsorgt werden darf. Um eventuelle Umwelt- oder Gesundheitsschäden durch unkontrollierte Abfallbeseitigung zu verhindern, dieses Gerät von anderen Abfallarten trennen und ordnungsgemäß recyceln, um die nachhaltige Wiederverwendung materieller Ressourcen zu fördern. Haushaltsanwender sollten entweder den Händler, bei dem sie dieses Produkt gekauft haben, oder ihr örtliches Regierungsbüro kontaktieren, um Einzelheiten darüber zu erfahren, wo und wie sie dieses Gerät umweltgerecht recyceln können.

Geschäftliche Anwender sollten sich an ihren Lieferanten wenden und die Bedingungen des

Kaufvertrags überprüfen. Dieses Produkt darf zur Entsorgung nicht mit anderen Unternehmensabfällen vermischt werden.

Grafische Symbole

Bitte beachten Sie die Sicherheitshinweise und lesen Sie diese Anleitung vor Inbetriebnahme sorgfältig durch.



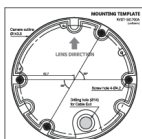
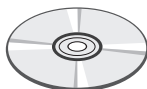
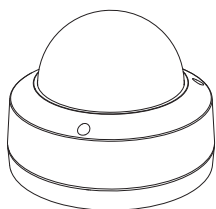
Wichtige Warnhinweise sind mit einem Achtung-Symbol gekennzeichnet.



Wichtige Hinweise sind mit einem Hinweis-Symbol gekennzeichnet.

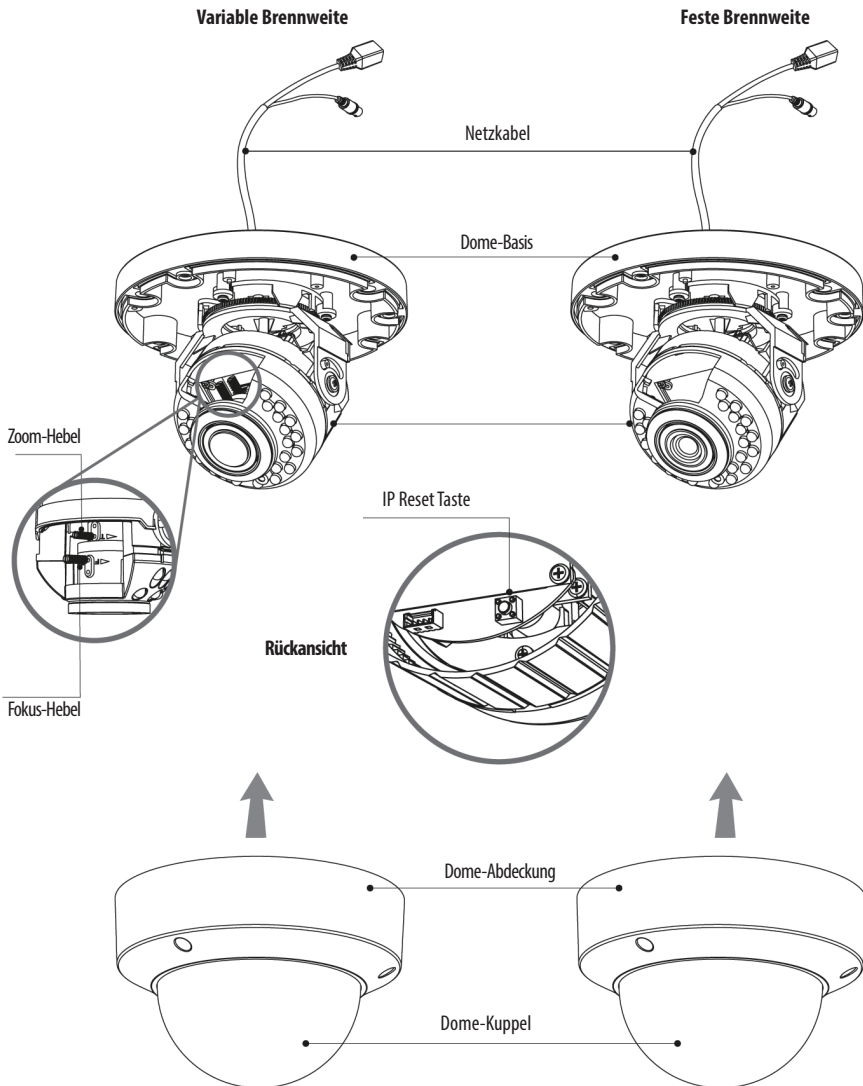
Lieferumfang

- Netzwerk Kamera
- Betriebsanleitung
- Installations-CD
- Bohrschablone
- Kunststoffdübel: 6,5 x 26,6 mm (4x)
- Befestigungsschraube: 4 x 25 mm (4x)
- Inbusschlüssel (1x)



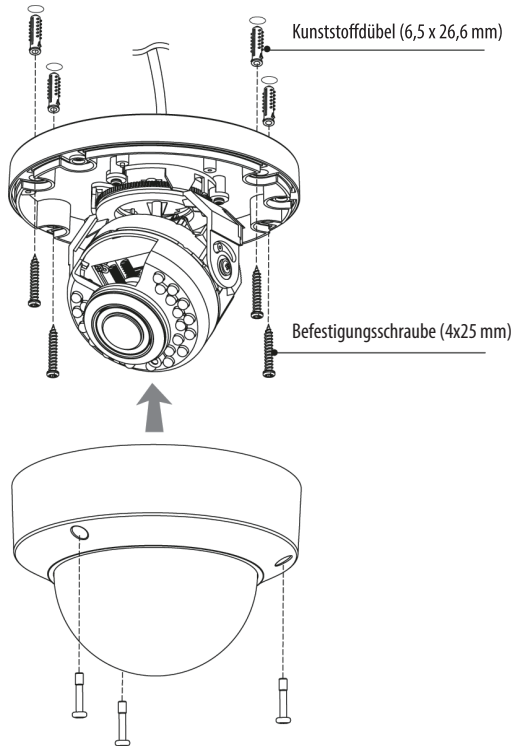
Bezeichnungen von Gerätekomponenten

DE



Installationsanweisungen

1. Bohren Sie vier Löcher zur Montage an der Decke oder an der Wand.
2. Setzen Sie die Dome-Basis an die Stelle mit den vorgebohrten Löchern und befestigen Sie sie mit den Befestigungsschrauben.
3. Verlegen Sie das Netz-/Ethernet-Kabel an die Anschlussstelle.
4. Stellen Sie den Betrachtungswinkel der Kamera ein (Schwenk-, Neigungs- und Drehwinkel).
5. Bringen Sie die Dome-Abdeckung auf der Dome-Basis an.




ACHTUNG:

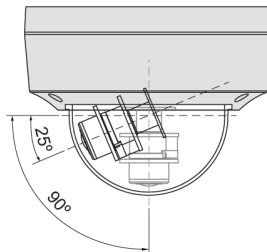
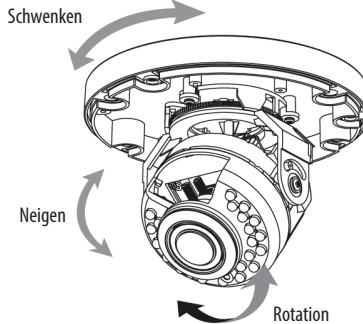
Achten Sie besonders darauf, die Abdeckkuppel der Dome-Kamera während der Installation oder der Einstellung **NICHT** zu verkratzen. Es muss sorgfältig darauf geachtet werden, das Kabel **NICHT** zu beschädigen, zu knicken oder Gefahrenbereichen auszusetzen. Setzen Sie die Kamera nie direkt einer starken Lichtquelle wie der Sonne oder einem Scheinwerfer aus.

Einstellung von Schwenkung und Neigung

Schwenkwinkel: Den ersten Schwenkwinkel durch Drehen des Aufhängebügels um bis zu 360° einstellen.

Neigungswinkel: Die Neigung ist auf min. 25° bis max. 90° begrenzt, wobei vorausgesetzt wird, dass die Neigung des Kameramoduls in Bezug auf die Decke 0° ist, d.h., dass das Bild horizontal ausgerichtet ist.

Drehbereich (horizontale Bildausrichtung): Den ersten Drehwinkel durch Drehen des Aufhängebügels um bis zu 360° einstellen.



**ACHTUNG:**

Achten Sie bitte darauf, dass sich die Kabel beim Einstellen des Betrachtungswinkels nicht verdrehen.

Zoom- und Fokuseinstellung (nur das Modell mit variabler**Brennweite)**

- Drehen Sie den Fokus-Hebel in Richtung "N" (Nah) oder "∞" (Fern), bis der schärfste Fokus erreicht ist.
- Drehen Sie zum Erweitern des Betrachtungswinkels den Zoom-Hebel in Richtung "W" (Weitwinkel) und für eine nähere Betrachtung in Richtung "T" (Tele).

Montage- und Inbetriebnahmeanleitung

Stellen Sie vor der Installation sicher, dass die Spannungszufuhr unterbrochen ist. Nachdem alle Verbindungen korrekt angeschlossen wurden, schließen Sie die Stromversorgung in der korrekten Reihenfolge an.

1. Schließen Sie das Netzwerkkabel am RJ-45 Ethernet-Port an. Wenn PoE als einzige Stromquelle verwendet wird, muss das Netzteil nicht angeschlossen werden.
2. Wenn eine lokale Stromversorgung mit 12VDC notwendig ist, schließen Sie zuerst die Niederspannungsleitung (12VDC) an und stecken Sie erst danach den DC-Adapter in die DC-Steckdose, um fehlerhafte Resets aufgrund von Spannungsschwankungen und Beschädigungen durch Überspannung bei Lastfreiheit zu vermeiden.

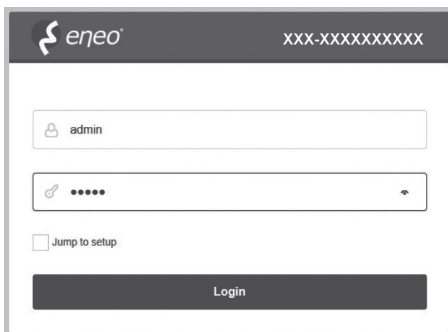
i Wenn PoE und eine lokale Stromversorgung gleichzeitig verbunden sind, hat die lokale Stromversorgung Vorrang. Die Kamera kann entweder mit 12 VDC oder PoE (IEEE Std. 802.3af) betrieben werden. Primäre und sekundäre Masse sind vollständig voneinander isoliert, um mögliche Probleme durch Erdungsschleifen zu vermeiden.

Schnelle Netzwerkkonfiguration

1. Nachdem die Kamera mit dem Netzwerk verbunden wurde, starten Sie das **'eneo Site Manager'** Tool (steht zum Herunterladen auf www.eneo-security.com bereit).
2. Sie erhalten eine Liste der im lokalen Netzwerk verfügbaren Kameras. Markieren Sie Ihre Kamera in der Liste und öffnen Sie ein Kontextmenü durch Klicken der rechten Maustaste.
3. Wählen Sie die Option "Set IP Address [dhcp / static]" um ein Fenster für die Kamera IP-Einstellungen zu erhalten. Wenn Sie fertig sind, klicken Sie den "OK" Button um die Kameraeinstellungen zu aktualisieren.
4. Die Kamera ist standardmäßig auf DHCP eingestellt. Wenn kein DHCP-Server im Netzwerk vorhanden ist, wird die Kamera nach einer gewissen Zeit auf eine Standard-IP-Adresse zurückgesetzt. In diesem Fall fügen Sie mehrere Kameras bitte nur nacheinander zum Netzwerk hinzu, um Konflikte aufgrund der identischen IP-Adressen zu vermeiden.
Die Standard-IP-Adresse der IP-Kamera ist: **192.168.1.10**.
5. Klicken Sie mit der rechten Maustaste auf den Gerätenamen im eneo Site Manager, um das Kontextmenü anzuzeigen. Wählen Sie die Option **'Open Device Web Site'** (Geräte-Webseite öffnen), um auf die Kamera zuzugreifen.
6. Die Login-Seite des Web-Viewers wird in Ihrem Standard-Webbrowser geöffnet. Bei Microsoft Internet Explorer installieren Sie die Active-X-Komponente namens VIDEOR E. Hartig GmbH entsprechend der Anweisungen am unteren Rand des Browsers.
7. Verwenden Sie den Standard-Benutzernamen und das Standard-Passwort zum Einloggen.

Standard-Benutzername: admin

Standard-Passwort: admin

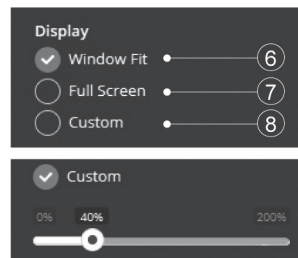
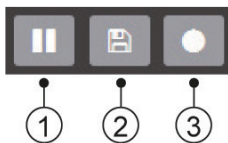


Beschreibung des Web-Viewers



- (A) Menütaste: Klicken Sie auf diese Taste zum Anzeigen oder Verbergen des Konfigurationsmenüs.
- (B) Modellname: Zeigt den Modellnamen der verbundenen Kamera an.
- (C) Sprache auswählen: Wählen Sie Englisch, Deutsch oder Französisch als Web-Viewer-Sprache.
- (D) Hauptkonfigurationsmenü: Zum Einstellen der Kamera- oder Netzwerk-Funktionen.
- (E) Kameraüberwachungsfenster: Zeigt das Video oder die Funktion der aktuell verbundenen Kamera an.
- (F) Abmelden und den Web-Viewer verlassen

Player-Steuerung & Anzeige

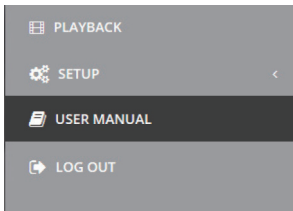


- (1) Pause: Anhalten des aktuellen Videos.

- (2) Snapshot: Nehmen Sie ein Standbild von einem aktuell auf der Anzeige dargestellten Bild auf. Unterstützt das Anzeigen, Ausdrucken und Speichern in der Original-Bildgröße. Lautsprecher: Aktiviert das Ausgeben von Audio an den Audioausgang.
- (3) Aufnahme: Nicht verfügbar
- (4) An Fenstergröße anpassen: Die Live-Ansicht wird an die Fenstergröße angepasst.
- (5) Vollbild: Passt die Darstellung von Live-Ansicht-Anzeige der Monitor-Auflösung an. ESC-TASTE: Kehrt zum vorherigen Menü zurück.
- (6) Benutzerdefiniert: Die Vergrößerungsskala (0% ~ 200%) der Live-Ansicht in der Steuerungsleiste wird verwendet. 100% ist die Standardeinstellung.

Benutzerhandbuch

Hilfefunktion Die Seite mit der Beschreibung der aktuellen Menüfunktion wird geöffnet.



Übersicht des Konfigurationsmenüs

Kategorie	Menü	Konfiguration	
LIVE-BILD	Player-Steuerung	Pause, Snapshot, Aufnahme (*)	
		Anzeige: (An Fenstergröße anpassen, Vollbild, Benutzerdefiniert)	
	Video-Stream	Stream 1, Stream 2, Stream 3	
	Protokoll	HTTP, TCP, UDP	
	PTZ-Steuerung(*)	Zoom, Fokus, Push AF	
Wiedergabe (*)	Ereignissuche, Zeitleistensuche, Zeitleiste		
KONFIGURATION	Video und Bild	Information	Allgemein, System Information, Open Source Informationen
		Quelle	
		Stream 1/2/3	
		Allgemein	Helligkeit, Kontrast, Sättigung, Farbton, Schärfe, Bildumkehr aktivieren, Bild spiegeln aktivieren
		OSD	Text einblenden, Datum/Zeit einblenden, Zoom/Fokus einblenden (*), Modus
		AE	Modus, Verschluss, Max. Verschlusszeit, Farbverstärkung, Max. Farbverstärkung, Langamer Verschluss, Autom. Blendensteuerung, Autom. flimmerfrei
		AWB	Modus, Cb Verstärkung, Cr Verstärkung
		AF (*)	Modus, Geschwindigkeit, Objektiv-Sperre, Sperr-Timer, Objektiv-Kalibrierung, Fokus-Anpassung bei Tag/Nacht-Wechsel aktivieren
		Tag & Nacht	Modus, Umschaltzeit, Schwellenwert (T -> N), Schwellenwert (N -> T), Steuerung der IR-Beleuchtung, Smart-IR
		WDR	WDR (Modus, Stufe), Defog (Modus)
		BLC	BLC (Modus, Stufe), HLC (Modus)
		DNR	2DNR (Modus, Stufe), 3DNR (Modus, Stufe)
		LDC	Modus, Stufe, Grenzlinie
		VerticalView	Modus, Rotation
Bereichsmaske	Farbe, Name		
Digitaler Zoom	Level		

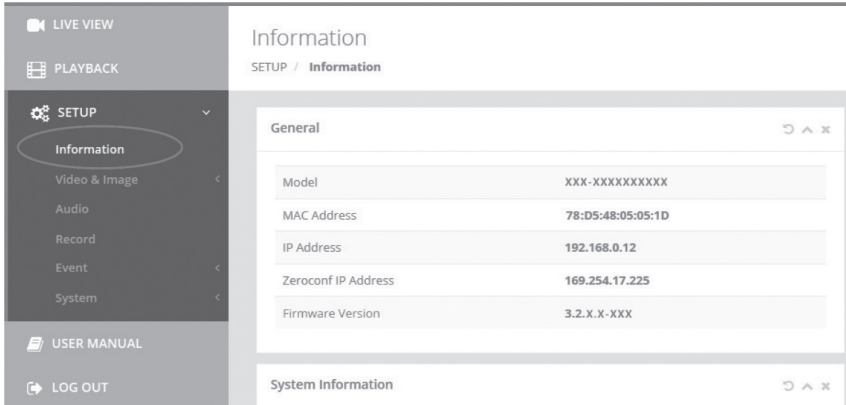
KONFIGURATION	Aufnahme (*)	Aufzeichnung	Bei vollem Speicher überschreiben, Einstellungen für Daueraufnahme
		Zeitplan	
		Speicher	Formatieren, Entfernen, Speicherinformationen
	Ereignis	Auslöser	Bewegung, Manipulation, VCA, Alarmeingang, System, Manuell, Netzwerk, Timer, Tag-Nacht
		Aktionen	Aufnahme (*), Alarmausgang, E-Mail, FTP, Video Boost, Benachrichtigungsserver
		Regeln	Ereignisverarbeitung, ONVIF Mapping
	System	Sicherheit	Benutzer, HTTPS, IP-Filter, ONVIF, Video-Stream, Export/Import
		Datum/Uhrzeit	Aktuelle Uhrzeit, Neue Uhrzeit, Zeitzone, Datum & Uhrzeit anzeigen
		Netzwerk	TCP/IP, DDNS, RTP, UPnP, Zeroconf, Bonjour
		Sprache	Englisch, Deutsch, Französisch, Polnisch, Finnisch, Koreanisch
		Wartung	Wartung (Neustart, Zurücksetzen, Voreinstellung), Upgrade, Konfiguration exportieren, Konfiguration importieren
		Protokoll und Bericht	Protokolle (Datenbankkapazität, Suchbedingung, Protokollliste), Bericht
	BETRIEBSANLEITUNG		
AUSLOGGEN			

(*) Nicht verfügbar

Schnellkonfiguration

Information

Zeigt allgemeine Informationen über das System an wie Modellname, MAC-Adresse, IP-Adresse, Zeroconf-IP-Adresse, Firmware-Version, Serverzeit, Betriebszeit, CPU-Auslastung, den ein- und ausgehenden Datenverkehr und die Open-Source-Liste.



The screenshot shows the 'Information' page in the system setup interface. The left sidebar contains navigation options: LIVE VIEW, PLAYBACK, SETUP (with a sub-menu), USER MANUAL, and LOG OUT. The 'SETUP' sub-menu is expanded, and 'Information' is highlighted. The main content area displays system information under 'General' and 'System Information'.

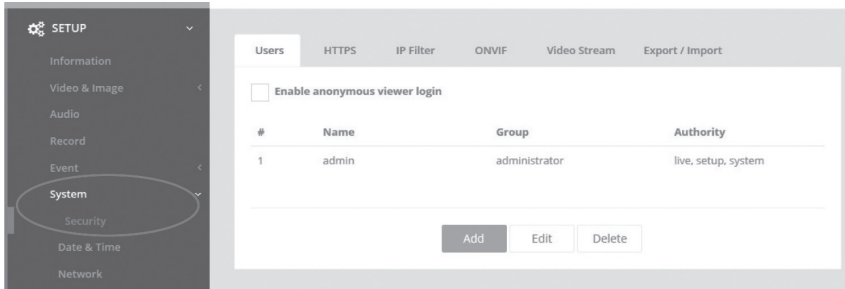
General	
Model	XXX-XXXXXXXXXX
MAC Address	78:D5:48:05:05:1D
IP Address	192.168.0.12
Zeroconf IP Address	169.254.17.225
Firmware Version	3.2.X.X-XXX

System Information

Benutzer

Verwaltung der Benutzerkonten nach Gruppen, Namen und Verantwortungsbereichen.

- Markieren Sie ENABLE ANONYMOUS VIEWER LOGIN (Anmeldung anonymer Benutzer erlauben), um anonymen Benutzern die Anmeldung an der Kamera zu gestatten. Der Zugriff auf das SETUP-Menü mit dem anonymen Login wird beendet und benötigt die Anmeldung mit ID und Passwort.
- > BENUTZER: Können hinzugefügt, bearbeitet oder gelöscht werden.

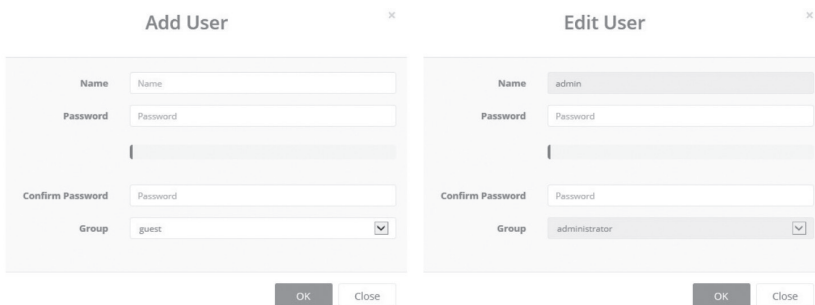


Klicken Sie auf die Schaltflächen Hinzufügen, Ändern oder Löschen, um die Benutzerkonten zu verwalten.

Hinzufügen

Zum Hinzufügen eines neuen Benutzers:

1. Klicken Sie auf Hinzufügen und geben Sie einen neuen Benutzernamen ein. (1 bis 14 alphanumerische Zeichen). Bei den Benutzernamen wird nicht zwischen Groß- und Kleinschreibung unterschieden.
2. Geben Sie ein Passwort ein und tippen Sie diesen anschließend zur Bestätigung erneut ein. (1 bis 8 alphanumerische Zeichen). Bei Passwörtern wird die Groß-/ Kleinschreibung berücksichtigt.
3. Wählen Sie eine der Gruppen, der Sie den Benutzer zuweisen möchten.
4. Klicken Sie auf die Schaltfläche OK, um die Einstellungen zu speichern und den neuen Benutzer hinzuzufügen.



Bearbeiten

Zum Bearbeiten eines Benutzers:

1. Wählen Sie den Namen des Benutzers aus der Benutzerliste aus, den Sie bearbeiten möchten.
2. Klicken Sie auf die Registerkarte Bearbeiten, dann erscheint ein neues Popup-Fenster.
3. Geben Sie ein Passwort ein (1 bis 8 alphanumerische Zeichen) und tippen Sie diesen anschließend zur Bestätigung erneut ein. **Der Benutzername kann nicht geändert werden.**
4. Wählen Sie eine der Gruppen, der Sie den Benutzer zuweisen möchten.
5. Klicken Sie auf die Schaltfläche OK, um die geänderten Einstellungen des Benutzers zu speichern.

Löschen

Zum Entfernen eines Benutzers:

1. Wählen Sie den Namen des Benutzers aus der Benutzerliste aus, den Sie entfernen möchten.
2. Klicken Sie auf Löschen. In einem Dialogfeld werden Sie um Bestätigung gebeten.
3. Klicken Sie auf die Schaltfläche OK. Das Benutzerprofil wird aus der Benutzerliste entfernt.

Datum/Uhrzeit

Aktuelle Uhrzeit

Zeigt das aktuelle Datum und die aktuelle Uhrzeit an. Beim Klick auf SAVE (SPEICHERN) werden das Datum und die Uhrzeit aktualisiert und unter NEW TIME (NEUE ZEIT) gespeichert.

Neue Uhrzeit

Wählen Sie eine Server-Zeit aus.

- Synchronize with computer time (Synchronisation mit der Computerzeit): Stellt die Uhrzeit anhand der Zeit Ihres Computers ein.
- Set manually (Manuelle Einstellung): Stellt das Datum und die Uhrzeit manuell ein.

- Synchronize with NTP Server (Synchronisation mit NTP-Server): Stellt die Uhrzeit alle 60 Minuten anhand des zugewiesenen NTP-Servers ein. Die IP-Adresse oder der Host-Name des NTP-Servers wird im Zeitserver angegeben.

Zeitzone

Der ausgewählte NTP-Server soll mit der Zeitzone übereinstimmen, in der die Kamera installiert wurde. Markieren Sie das Kontrollkästchen AUTOMATICALLY ADJUST FOR DAYLIGHT SAVING CHANGES (Automatische Sommerzeitumschaltung), um die durch die Sommerzeit erforderlichen Umstellungen automatisch durchführen zu lassen.

DE

Datum- & Uhrzeitanzeige

Wählen Sie das Datums&Zeitformat aus, die angezeigt werden sollen.

The screenshot displays the 'Date & Time' configuration page in a web interface. On the left, a sidebar menu is visible with 'System' selected and circled. The main content area is titled 'Date & Time' and includes a breadcrumb 'SETUP / System / Date & Time'. There are three main sections: 'Current Time' (Date: 01-01-1970, Time: 23:57:25), 'New Time' (with options for 'Synchronize with computer time', 'Set manually', and 'Synchronize with NTP server'), and 'Time Zone'. A 'Success' dialog box is overlaid on top, stating 'This request has been performed without error' with a 'Save' button.

Netzwerk

Wenn im Netzwerk ein DHCP-Server (Dynamic Host Configuration Protocol) vorhanden ist, weist dieser Netzwerkgeräten automatisch eine IP-Adresse zu.

IPv4-Adresse

Obtain IP address via DHCP (IP-Adresse von DHCP-Server beziehen):

Ruft die IP-Adresse ab, die vom DHCP-Server (Dynamic Host Configuration-Protokoll) zugewiesen wurde.

Status:

'Allocated' zeigt an, dass die IP-Adresse vom DHCP bezogen wurde.

IP-Adresse, Subnetzmaske, Gateway:

Zeigt die aktuelle IP-Adresse an, die vom DHCP bezogen wurde.

Use the following IP address (Folgende IP-Adresse verwenden):

Markieren Sie das Optionsfeld nur, wenn Sie die IP-Adresse manuell einstellen wollen.

IPv6-Adresse

Markieren Sie das Kontrollkästchen ENABLE (AKTIVIEREN), um die IPv6-Adresse zu verwenden, und klicken Sie auf die Schaltfläche SAVE (SPEICHERN), anschließend wird eine neue IPv6-Adresse bezogen.

DNS

DNS-Adresse von DHCP-Server beziehen:

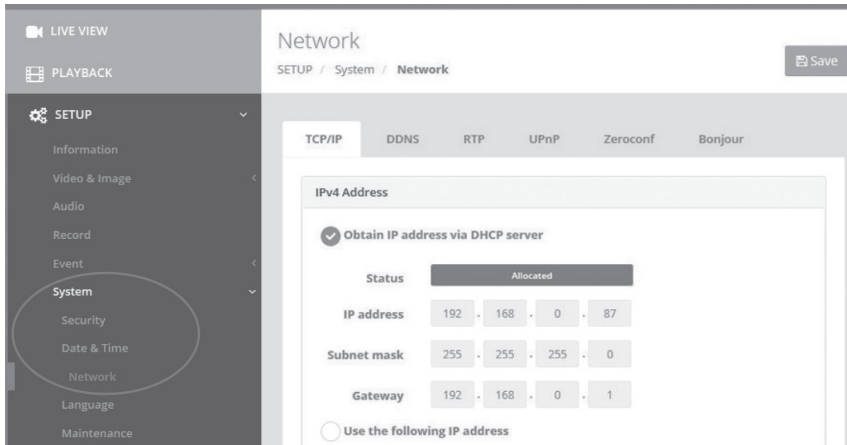
Bezieht die DNS-Adresse, die vom DHCP-Server automatisch zugewiesen wurde.

Folgende DNS-Adresse verwenden:

Benötigt manuelle Eingabe, siehe unten.

- DOMAIN NAME: Geben Sie die Domain für den Hostnamen ein

- PRIMARY DNS SERVER (Primärer DNS-Server): Geben Sie die IP-Adresse des primären DNS-Servers ein.
- SECONDARY DNS SERVER (Sekundärer DNS-Server): Geben Sie die IP-Adresse des sekundären DNS-Servers ein.



The screenshot shows the 'Network' configuration page. The left sidebar has 'System' circled. The main content area shows the 'TCP/IP' tab selected. Under 'IPv4 Address', the option 'Obtain IP address via DHCP server' is checked. The status is 'Allocated'. The IP address is 192.168.0.87, Subnet mask is 255.255.255.0, and Gateway is 192.168.0.1. There is also an unchecked option 'Use the following IP address'.

DE

Weitere Informationen

Bitte halten Sie die Firmware stets aktuell, damit Sie die neuesten Funktionen des Geräts nutzen können. Die aktuellsten Firmware-Versionen finden Sie auf unserer Website unter www.eneo-security.com.

Das Benutzerhandbuch und weitere Software-Tools sind auf der eneo Website unter www.eneo-security.com oder auf der mitgelieferten CD verfügbar.

Informationen zu kompatiblen Video Management Software-Lösungen finden Sie in der Kategorie **Videomanagement** unter www.eneo-security.com.

Open Source Software

Die in diesem Produkt enthaltene Software enthält urheberrechtlich geschützte Software, die unter Open-Source-Lizenzen lizenziert ist.

Sie können den vollständigen dazugehörigen Quellcode von eneo für einen Zeitraum von drei Jahren nach der letzten Lieferung dieses Produkts erhalten, schicken Sie dafür eine E-Mail an:

opensource@eneo-security.com.

Wenn Sie den vollständigen dazugehörigen Quellcode auf einem physischen Datenträger wie CD-Rom zu erhalten wünschen, können unter Umständen Kosten für den Versand des Datenträgers anfallen.

Weitere Informationen über Open Source Software finden Sie auf der eneo-Webseite unter www.eneo-security.com oder auf der mitgelieferten CD.

Contenu

Matériel livré	44
Noms des pièces	45
Instructions d'installation	46
Réglages Panoramique/Inclinaisons	47
Ajustements du zoom et de la mise au point	48
Instructions pour l'installation et la mise en service	48
Configuration rapide du réseau	49
Description de la visionneuse web (Web viewer)	50
Commande du lecteur & affichage.....	50
Manuel de l'utilisateur	51
Tableau du menu Configuration.....	52
Configuration rapide	54
Information	54
Utilisateurs	54
Ajouter	55
Éditer.....	56
Supprimer	56
Date & heure	56
Heure actuelle	56
Nouvelle heure.....	56
Fuseau horaire.....	57
Affichage du jour et de l'heure.....	57
Réseau	57
Adresse IPv4	58
Adresse IPv6	58
DNS	58
Complément d'information	60

Instructions de sécurité

Consignes de sécurité générales

- Avant de brancher et de mettre en service le système, veuillez lire d'abord ces consignes de sécurité ainsi que la notice d'instructions.
- Conservez soigneusement la notice d'instructions en vue d'une utilisation ultérieure.
- Le montage, la mise en service et la maintenance du système doivent impérativement être réalisés par des personnes autorisées, en conformité avec les instructions d'installation et en respectant toutes les normes et directives applicables.
- Protéger les appareils contre l'intrusion d'eau et d'humidité du fait d'un risque de dommages durables.
- Si de l'humidité pénètre malgré tout dans un appareil, il ne faut jamais mettre en marche l'appareil dans ces conditions, mais le remettre pour vérification à un atelier de réparation agréé.
- Le système ne doit jamais être utilisé en dehors des conditions techniques qui ont été définies en raison d'un risque de destruction.
- L'appareil doit être protégé contre la chaleur excessive, la poussière, l'humidité et les vibrations.
- Pour couper l'alimentation électrique du système, retirer la fiche de la prise pour débrancher le câble. Il ne faut jamais tirer directement sur le câble.
- Posez avec soin les câbles de raccordement et assurez-vous que les câbles ne subissent aucune contrainte mécanique, ne sont pas pliés ou endommagés et qu'il n'y a pas de pénétration d'humidité.
- Veuillez informer votre fournisseur en cas d'apparition de dysfonctionnements.
- Les travaux de maintenance et de réparation doivent être réalisés par des techniciens spécialisés et agréés.
- L'alimentation électrique doit être coupée avant chaque ouverture du boîtier.
- L'appareil doit être ouvert par des techniciens qualifiés. Toute intervention non autorisée entraîne une expiration de la garantie.
- Les câbles de raccordement doivent toujours être remplacés par Videor E. Hartig GmbH.
- Utiliser exclusivement des pièces de rechange et des accessoires d'origine de VIDEOR E. Hartig GmbH.
- Pour nettoyer le boîtier, il faut utiliser un détergent domestique non agressif. Il ne faut jamais utiliser de diluant ou de l'essence sous peine d'endommager la surface durablement.
- Lors du montage, les joints doivent toujours être mis en place de manière réglementaire et ne doivent pas être déplacés au cours du montage. Les joints endommagés ne doivent plus être utilisés sous peine d'annuler toute garantie.
- L'installateur est responsable du respect du niveau de protection défini dans les caractéristiques techniques, par ex. en utilisant du silicone pour rendre étanche la sortie du câble.
- Des embouts doivent être utilisés quand il faut raccourcir des fils de raccordement flexibles.
- Les appareils doivent être exploités en respectant les plages de températures et l'humidité ambiante définies dans la fiche technique.

Consignes de sécurité spécifiques pour les différents produits

- La caméra ne doit jamais être dirigée vers le soleil avec le diaphragme ouvert (destruction du capteur).
- Il est inévitable qu'une certaine quantité d'humidité provenant de l'air ambiant pénètre dans le boîtier dans le cadre de la fabrication et de l'utilisation ultérieure. L'humidité peut produire une condensation à l'intérieur du boîtier en cas de fortes variations de température.
- Afin d'éviter ce phénomène dans le boîtier qui est très étanche, le fabricant a placé des sachets de gel de silice dans le boîtier de différents types de caméras.
- Ces sachets de gel de silice sont saturés après un certain temps, ce qui est tout à fait normal. Ils devraient donc être remplacés par des nouveaux sachets de gel de silice.
- Lors du montage, les joints doivent toujours être mis en place de manière réglementaire et ne doivent pas être déplacés au cours du montage. Les joints endommagés ne doivent plus être utilisés sous peine d'annuler toute garantie.
- Un dispositif de mise hors tension facile d'accès et multipolaire doit être installé à proximité du projecteur IR, afin de pouvoir couper l'appareil pour les travaux d'entretien.
- Le conducteur de protection doit être réalisé conformément à la norme DIN VDE 0100 avec une faible résistance adaptée.
- L'application ultérieure d'une couche de peinture sur l'appareil peut en perturber le fonctionnement.
- L'application ultérieure d'une couche de peinture entraîne l'expiration de toute demande de garantie.

- Une distance de sécurité > 1 m doit être respectée par rapport au projecteur dans un environnement sombre, quand on regarde directement dans le projecteur IR.
- Les rayons invisibles des LED ne doivent pas être observés directement avec des instruments optiques (par ex. loupe, microscope etc.), risque pour les yeux, LED classe 1M.
- Il est interdit d'utiliser le projecteur IR avec un cache défectueux ou pendant des travaux de réparation.

Remarque concernant l'appareil de classe A

Ceci est un appareil de classe A. Cet appareil est susceptible de provoquer des dysfonctionnements dans les locaux d'habitation. Dans ce cas, il peut être demandé à l'exploitant de réaliser les travaux nécessaires et d'en supporter les frais.

FR

WEEE (Waste Electrical & Electronic Equipment)

Élimination conforme du présent produit (applicable dans l'Union européenne et dans d'autres pays européens disposant de systèmes de collecte distincts).



Le marquage indiqué sur le produit ou dans le mode d'emploi indique qu'il ne devrait pas être éliminé avec d'autres déchets ménagers à la fin de sa vie de service. Pour éviter tout effet néfaste sur l'environnement ou sur la santé humaine résultant de l'élimination non contrôlée de déchets, séparez ce produit des autres types de déchets et recyclez-le de manière responsable afin de promouvoir l'utilisation durable des ressources matérielles. Les utilisateurs ménagers doivent contacter soit le revendeur où ils ont acheté ce produit, soit leur organisme local pour obtenir plus d'informations sur le recyclage correct de cet article afin de protéger l'environnement. Les utilisateurs commerciaux doivent contacter leur fournisseur et vérifier les modalités du contrat de vente. Ce produit ne doit pas être mélangé à d'autres déchets commerciaux lors de leur élimination.

Symboles graphiques

Respectez les consignes de sécurité ci-après et lisez attentivement cette notice avant toute utilisation.



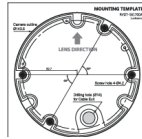
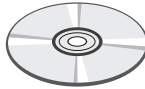
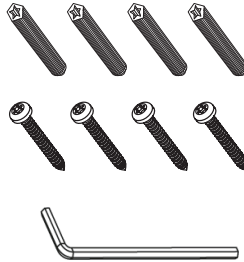
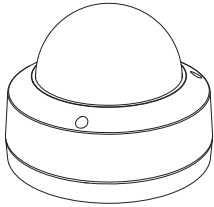
Les mises en garde importantes sont précédées d'un symbole d'avertissement.



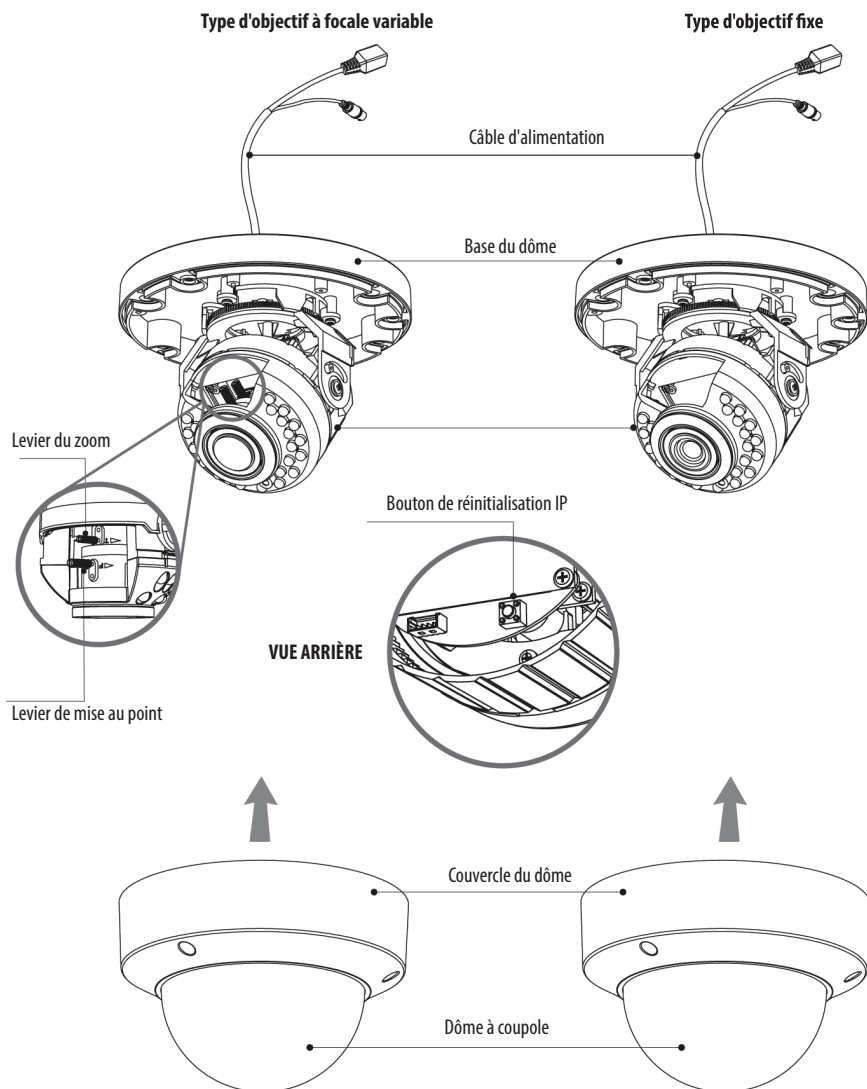
Les points importants sont précédés d'un symbole de notice.

Matériel livré

- Caméra de réseau
- Mode d'emploi
- CD d'installation
- Gabarit de perçage
- Chevilles en plastique : 6,5 x 26,6 mm (4x)
- Vis de montage : 4 x 25 mm (3x)
- Clé en L (1x)



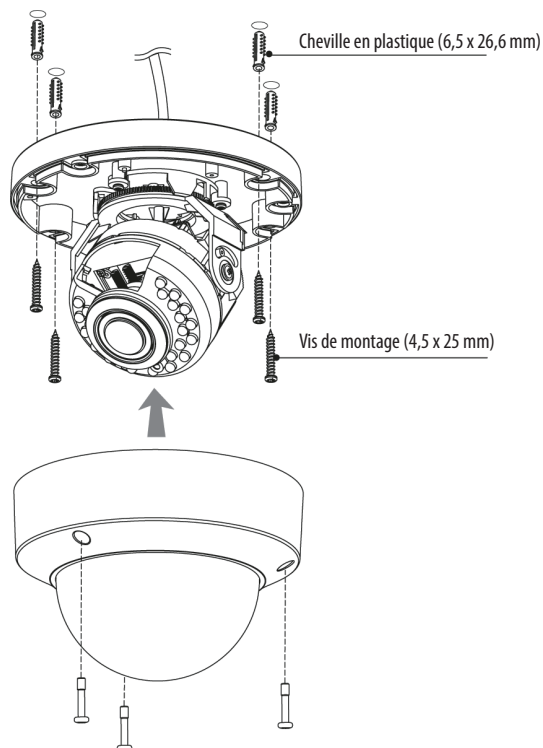
Noms des pièces



FR

Instructions d'installation

1. Percer quatre trous pour le montage au plafond ou sur le mur.
2. Placer la base du dôme à la position d'installation pré-percée et la fixer à l'aide des vis de montage.
3. Acheminer le câble d'alimentation/Ethernet vers le lieu de connexion.
4. Régler l'angle de la caméra (panoramique, inclinaison, rotation).
5. Monter le couvercle du dôme sur la base.



ATTENTION :

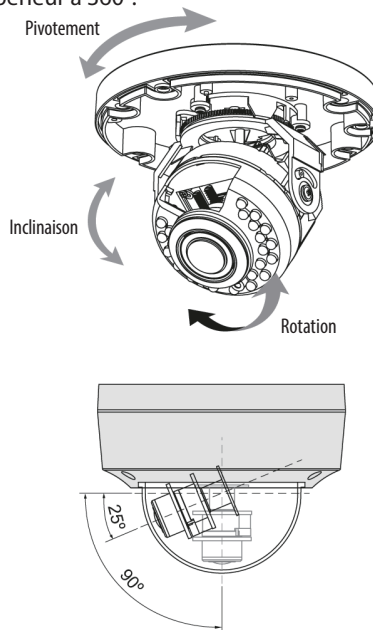
Il faudra veiller à ne PAS érafler la surface de l'objectif et de la coupole du dôme lors de l'installation ou du réglage de la caméra. Veillez à ne PAS endommager, déformer ou exposer le câble dans une zone dangereuse. Ne pas exposer directement la caméra à une source de lumière puissante, comme le soleil ou un projecteur.

Réglages Panoramique/Inclinaisons

Limite de panoramique : ajuster le premier angle de panoramique en tournant le cadran sur 360°

Limite d'inclinaison : l'inclinaison est limitée à une fourchette de 25° min ~ 90° max. pour une installation murale (au plafond) par rapport au plafond lorsque l'inclinaison du module caméra est à 0°, c'est-à-dire lorsque l'image est alignée horizontalement.

Limite de rotation (alignement d'image horizontale) : ajuster l'angle de rotation en tournant le cadran supérieur à 360°.



FR



ATTENTION :

veiller à ne pas tordre le câble pendant les réglages panoramiques et d'inclinaison.

Ajustements du zoom et de la mise au point

(uniquement pour le type d'objectif à focale variable)

- Tournez le levier de la mise au point à « N » (Near/proche) ou « ∞ » (Far/loin) afin d'obtenir la mise au point la plus nette.
- Pour élargir l'angle de vision, tournez la mise au point à « W » (Wide/large), pour une vue agrandie, tournez à « T » (Tele)

Instructions pour l'installation et la mise en service

Assurez-vous que l'alimentation secteur est déconnectée avant l'installation. Après avoir réalisé correctement tous les branchements, respectez la séquence de mise sous tension.

1. Brancher le câble réseau dans la prise RJ-45 Ethernet. Quand le PoE est l'unique source d'alimentation, il n'est pas nécessaire de connecter la prise de courant.
2. Si un courant CC 12V local est requis, connectez d'abord le connecteur basse tension (CC 12V), puis l'adaptateur CC aux sorties de courant alternatif afin d'éviter une réinitialisation inopportune due à une instabilité de l'alimentation et des dommages en cas de surtension sans charge.

i Quand le PoE et l'alimentation CC locale sont connectés simultanément, le courant local est prioritaire. La caméra peut fonctionner en 12 V CC ou par PoE (IEEE Std. 802.3af). Les mises à la terre primaire et secondaire sont complètement isolées pour éviter les éventuels problèmes de boucle de masse.

Configuration rapide du réseau

1. Après avoir connecté la caméra au réseau, démarrez l'outil '*eneo Site Manager*' (téléchargeable sur le site www.eneo-security.com).
2. Vous obtiendrez une liste des caméras connectées au réseau local. Sélectionnez votre caméra dans la liste et ouvrez le menu contextuel en cliquant avec le bouton droit de la souris.
3. Sélectionner l'option « Set IP Address [dhcp / static] » pour ouvrir une fenêtre et paramétrer les propriétés des caméras IP. Ensuite, cliquez sur « OK » pour mettre à jour les réglages de la caméra.
4. La caméra est réglée par défaut sur DHCP. S'il n'y a aucun serveur DHCP présent dans le réseau, la caméra vous renverra une adresse IP par défaut au bout d'un certain temps. Dans ce cas, veuillez n'ajouter qu'une seule caméra à la fois au réseau afin d'éviter les conflits dus à des adresses IP identiques.
L'adresse IP par défaut de la caméra réseau est : **192.168.1.10**.
5. Cliquez avec la touche droite de la souris sur le nom de l'appareil dans le gestionnaire de site « eneo Site Manager » pour faire apparaître le menu contextuel. Utilisez l'option '*Open Device Web Site*' pour accéder à la caméra.
6. La page de connexion de la visionneuse web (Web viewer) s'ouvrira dans votre navigateur par défaut.
Si vous disposez de Microsoft Internet Explorer, installez l'ActiveX nommé VIDEOR E. Hartig GmbH selon les instructions figurant au bas du navigateur.
7. Utilisez le nom de l'utilisateur et le mot de passe par défaut pour vous connecter.

Nom d'utilisateur par défaut : admin

Mot de passe par défaut : admin

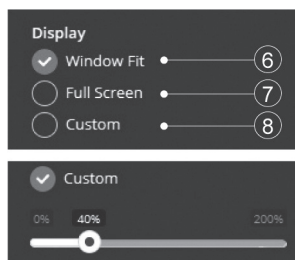
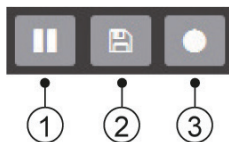


Description de la visionneuse web (Web viewer)



- (A) Bouton Menu : cliquez sur le bouton pour afficher ou masquer la barre de menu de configuration.
- (B) Nom du modèle : afficher un nom de modèle de caméra connecté.
- (C) Sélectionner une langue : définir la langue de visionneuse web anglais, allemand ou français.
- (D) Barre de menu de configuration principal : permet le paramétrage des fonctions de la caméra ou du réseau.
- (E) Fenêtre de surveillance de la caméra : permet d'afficher la vue ou la fonction de la caméra actuellement connectée.
- (F) Se déconnecter et quitter la visionneuse web (Web viewer)

Commande du lecteur & affichage



- (1) Pause : suspend la vidéo en cours.

- (2) Snapshot (Instantané) : permet de prendre une photo de l'image vidéo actuellement affichée. Prend en charge les fonctions « origin image size view » (consultation de la taille d'origine de l'image), « print » (imprimer) et « save » (enregistrer).
Speaker (Haut-parleur) : permet la sortie du signal audio au port de sortie audio.
- (3) Record (Enregistrement) : non disponible
- (4) Window Fit (Ajustement de la fenêtre) : affiche la vue en direct pour régler la taille de la fenêtre d'affichage.
- (5) Full Screen (Plein écran) : redimensionne l'affichage de la vue en direct pour l'adapter à la résolution du moniteur. La touche ESC permet de revenir à la vue précédente.
- (6) Custom (Personnalisé) : sélectionne l'échelle d'affichage de la vue en direct, 0% ~ 200%, via la barre de commande. 100% correspond à la taille originale.

Manuel de l'utilisateur

Aide sur la fonction du menu. Cliquez sur la page contenant la description du menu en cours pour l'afficher.

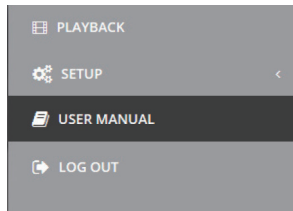


Tableau du menu Configuration

Catégorie	Menu	Configuration		
LIVE VIEW (Affichage en direct)	Commande du lecteur	Pause, instantané, enregistrement(*)		
		Afficher (Ajustement de la fenêtre, Plein écran, Personnalisé)		
	Flux vidéo	Stream1, Stream2, Stream3		
	Protocole	HTTP, TCP, UDP		
	Commande PTZ(*)	Zoom, Focus, Push AF		
LECTURE (*)	Recherche par évènement, recherche chronologique, barre temporelle			
CONFIGURATION	Video & Image	Information	Généralités, System Information, informations Open source	
		Image	Source	Stream1/2/3
			Basic	Luminosité, contraste, saturation, teinte, netteté, activer le pivotement d'image, activer l'image miroir
			OSD	Activer le texte OSD, Activer la date & l'heure OSD, Activer le zoom & focus OSD(*), Mode
			AE	Mode, obturateur, fermeture max., gain, gain maximal, obturateur lent, iris automatique, éclairage anti-scintillement automatique
			AWB	Mode, gain Cb, gain Cr
			AF(*)	Mode, vitesse, verrouillage de l'objectif, minuterie de verrouillage, calibration de l'objectif, activer la mise au point de synchronisation jour et nuit
			Jour&Nuit	Mode, temps de commutation, seuil (D->N), seuil (N->D), LED IR de contrôle, IR intelligent
			WDR	WDR (mode, niveau), anti-buée (mode)
			BLC	BLC (mode, niveau), HLC (mode)
			DNR	2DNR(mode, niveau), 3DNR(mode, niveau)
			LDC	Mode, niveau, ligne de démarcation
			Vue verticale	Mode, Rotation
			Zones privées	Couleur, Nom
		Zoom numérique	Niveau	

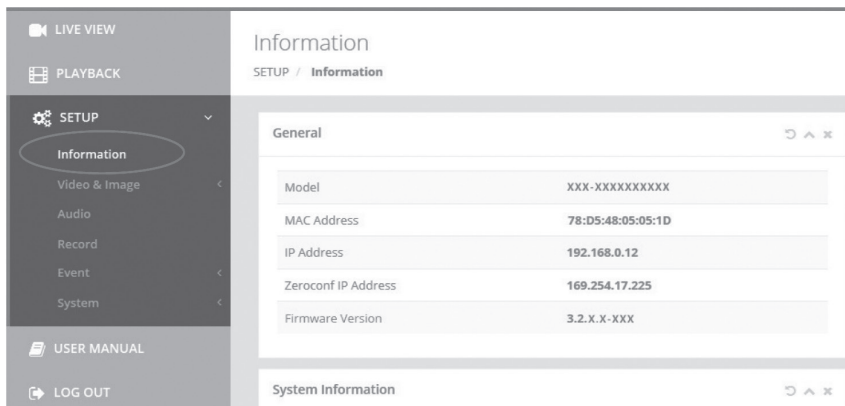
CONFIGURATION	Enregistrement(*)	Enregistrement	Écraser lorsque le disque est plein, paramètres d'enregistrement continu
		Programmation	
		Stockage	Formater, supprimer, stocker des informations
	Événement	Déclencheurs	Motion, VCA, Manipulation, Alarme, Système, Manuel, Réseau, Minuterie, Jour / Nuit
		Actions	Enregistrement(*), sortie d'alarme, e-mail, FTP, optimisation vidéo, serveur de notification
		Règles	Traitement d'événement, mappage ONVIF
	Système	Sécurité	Utilisateur, HTTPS, filtre IP, ONVIF, flux vidéo, exportation / importation
		Date & heure	Heure actuelle, nouvelle heure, fuseau horaire, affichage date & heure
		Réseau	TCP / IP, DDNS, RTP, UPnP, Zeroconf, Bonjour
		Langue	Anglais, Allemand, Français, Polonais, Finnois, Coréen
		Maintenance	Maintenir (Redémarrer, Réinitialiser, Par défaut), mise à niveau, exportation de configuration, importation de configuration
		Fichier-journal & rapport	Logs (capacité de la base de données, état de la recherche, liste de connexion), Rapport
	Manuel de l'utilisateur		
DÉCONNEXION			

(*) Non disponible

Configuration rapide

Information

Affiche les informations générales sur le système telles que le nom du modèle, l'adresse MAC, l'adresse IP, Zeroconf, l'adresse IP, la version du micro-programme, l'heure du serveur, le temps de fonctionnement, l'utilisation du processeur, la bande passante entrante / sortante et la liste des sources libres.



The screenshot shows a web interface for system configuration. On the left is a sidebar with options: LIVE VIEW, PLAYBACK, SETUP (expanded), and USER MANUAL. Under SETUP, 'Information' is selected and circled. The main area is titled 'Information' and shows 'SETUP / Information'. It contains two panels: 'General' and 'System Information'. The 'General' panel displays the following data:

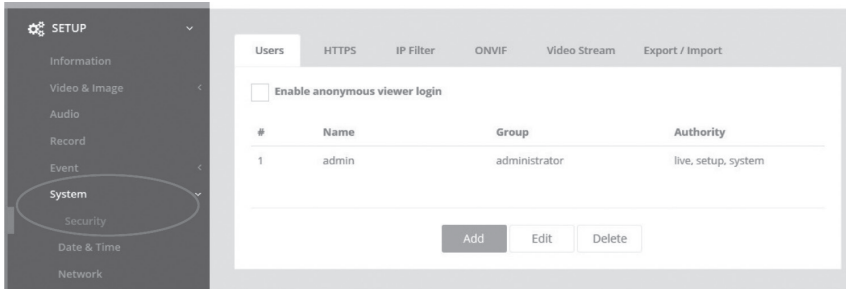
General	
Model	XXX-XXXXXXXXXX
MAC Address	78:D5:48:05:05:1D
IP Address	192.168.0.12
Zeroconf IP Address	169.254.17.225
Firmware Version	3.2.X.X-XXX

The 'System Information' panel is partially visible below.

Utilisateurs

Gère les comptes utilisateurs sous des noms, des groupes et des autorités.

- Marquez ENABLE ANONYMOUS VIEWR LOGIN si quelqu'un est autorisé à se connecter de manière anonyme. L'accès au menu SETUP avec l'ouverture d'une session anonyme va se fermer et nécessiter une connexion à l'aide d'un ID et d'un mot de passe.
- > USERS (UTILISATEURS) : peut être ajouté, modifié ou supprimé.

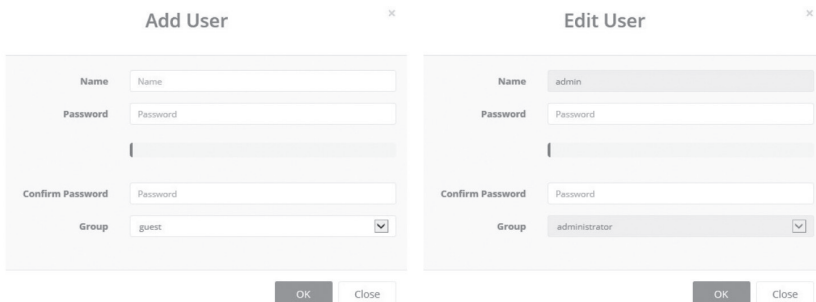


Cliquez sur le bouton Add (Ajouter), Modify (Modifier) ou Remove (Supprimer) pour gérer le compte utilisateur.

Ajouter

Pour ajouter un nouvel utilisateur :

1. Cliquez sur l'onglet Add (Ajouter) et tapez un nouveau nom d'utilisateur. (1 à 14 caractères alphanumériques). Les noms d'utilisateur ne sont pas sensibles à la casse.
2. Entrez un mot de passe et retapez-le dans Confirmer le mot de passe. (1 à 8 caractères alphanumériques). Les mots de passe sont sensibles à la casse.
3. Sélectionnez l'un des groupes que vous souhaitez affecter à l'utilisateur.
4. Cliquez sur le bouton OK pour sauvegarder les paramètres et ajoutez un nouvel utilisateur.



Éditer

Pour modifier un utilisateur :

1. Sélectionnez l'un des noms d'utilisateur que vous souhaitez modifier dans la liste d'utilisateurs (User List).
2. Cliquez sur l'onglet Edit (Éditer) ; une nouvelle fenêtre pop-up s'affiche alors.
3. Entrez un mot de passe (1 à 8 caractères alphanumériques) et retapez-le dans Confirmer le mot de passe. **Le nom d'utilisateur ne peut être modifié.**
4. Sélectionnez l'un des groupes que vous souhaitez affecter à l'utilisateur.
5. Cliquez sur le bouton OK pour sauvegarder les paramètres et modifier un nouvel utilisateur.

Supprimer

Pour supprimer un utilisateur :

1. Sélectionnez l'un des noms d'utilisateur à supprimer dans la liste d'utilisateurs.
2. Cliquez sur l'onglet Delete (supprimer). Une boîte de dialogue apparaît avec un message de confirmation.
3. Cliquez sur le bouton OK. Le profil de l'utilisateur est supprimé du profil de la liste d'utilisateurs.

Date & heure

Heure actuelle

Indique la date et l'heure actuelles. Un clic sur SAUVEGARDER permet de mettre à jour et d'enregistrer la date et l'heure avec l'heure sélectionnée dans NEW TIME.

Nouvelle heure

Sélectionnez l'une des heures du serveur.

- Synchronize with computer time (Synchroniser avec l'heure de l'ordinateur) : obtient l'heure de l'ordinateur.
- Set manually (Définir manuellement) : définit manuellement la date et l'heure.
- Synchronize with NTP Server (Synchroniser avec le serveur NTP) : obtient l'heure du serveur NTP affecté à chaque heure dans INTERVAL. L'adresse IP ou le nom d'hôte du serveur NTP doit être spécifié dans le serveur de temps.

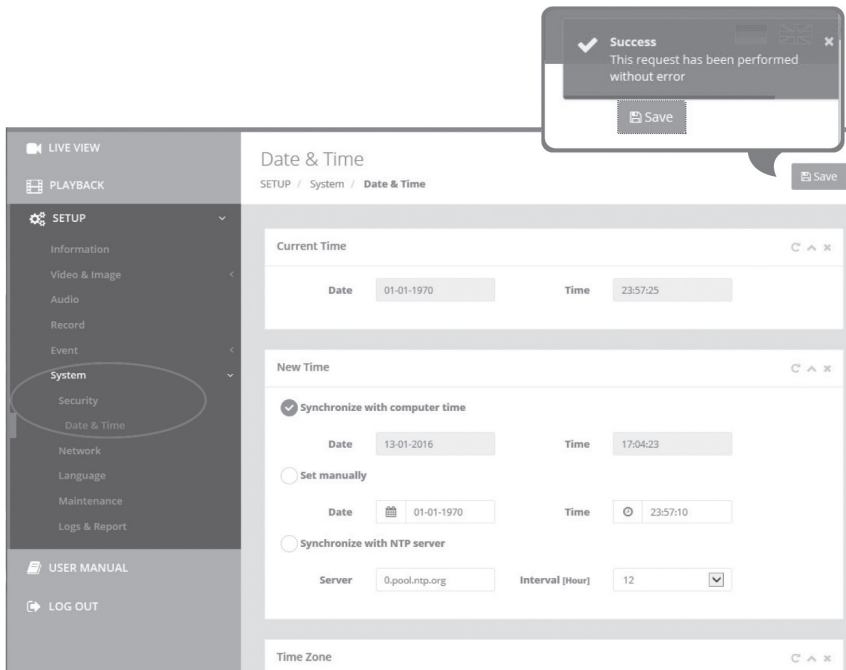
Fuseau horaire

Sélectionnez le fuseau horaire à référencer sur le serveur NTP où la caméra est installée. Marquer la case à cocher **AUTOMATICALLY ADJUST FOR DAYLIGHT SAVING CHANGES** pour mettre à jour automatiquement l'heure d'été

Affichage du jour et de l'heure

Sélectionnez les formats de date et d'heure à afficher.

FR



Réseau

Le serveur DHCP (Protocole de configuration dynamique de l'hôte) dispose d'une fonction affectant automatiquement une adresse IP à un dispositif, si ce dernier se trouve le réseau.

Adresse IPv4

Obtenir l'adresse IP via le serveur DHCP :

Obtient l'adresse IP attribuée par le serveur DHCP (Dynamic Host Configuration Protocol).

Statut :

'Allocated' montre que l'adresse IP est obtenue auprès du DHCP.

Adresse IP, Masque de sous-réseau, Passerelle :

Affiche l'adresse IP actuelle qui est obtenue à partir du DHCP

Utiliser l'adresse IP suivante :

Cochez la case si vous souhaitez affecter l'adresse IP manuellement.

Adresse IPv6

Marquez la case à cocher ENABLE pour utiliser l'adresse IPv6 et cliquez sur le bouton SAVE (Sauvegarde) pour obtenir une nouvelle adresse IPv6.

DNS

Obtenir l'adresse DNS via DHCP :

Obtient l'adresse DNS automatiquement attribuée par le serveur DHCP.

Utiliser l'adresse DNS suivante :

Nécessite une entrée manuelle comme indiqué ci-dessous.

- DOMAIN NAME (Nom du domaine) : entrez le domaine pour le nom d'hôte
- PRIMARY DNS SERVER : entrez l'adresse IP du serveur DNS principal.
- SERVEUR DNS SECONDAIRE : entrez l'adresse IP du serveur DNS secondaire.

LIVE VIEW

PLAYBACK

SETUP

- Information
- Video & Image
- Audio
- Record
- Event
- System**
- Security
- Date & Time
- Network
- Language
- Maintenance

Network

SETUP / System / Network

Save

TCP/IP
DDNS
RTP
UPnP
Zeroconf
Bonjour

IPv4 Address

Obtain IP address via DHCP server

Status Allocated

IP address 192 . 168 . 0 . 87

Subnet mask 255 . 255 . 255 . 0

Gateway 192 . 168 . 0 . 1

Use the following IP address

FR

Complément d'information

Assurez-vous de toujours être à jour grâce à la dernière version du progiciel disponible depuis le site d'eneo sous www.eneo-security.com pour recevoir les dernières fonctionnalités de votre produit.

Le manuel utilisateur et d'autres outils logiciels sont disponibles sur le site web eneo www.eneo-security.com ou sur le CD joint.

Des informations concernant les solutions logicielles de gestion vidéo compatibles sont disponibles dans la catégorie **Videomanagement** (gestion des vidéos) sur www.eneo-security.com.

Logiciel Open source

Le logiciel inclus dans ce produit est protégé par des droits d'auteur et fait l'objet de licences Open source.

Vous pouvez obtenir le code source complet correspondant auprès d'eneo pour une période de 3 ans à compter de la dernière livraison de ce produit en envoyant un courriel à : opensource@eneo-security.com.

Si vous souhaitez obtenir le code source complet correspondant avec un support physique tel qu'un CD-ROM par exemple, le coût afférant à la distribution d'une copie de la source sur support physique pourrait vous être facturé.

Pour obtenir plus de détails sur les logiciels Open source, veuillez consulter le site Internet www.eneo-security.com ou un CD éventuellement fourni.

Indice

Parti fornite	64
Denominazione dei componenti	65
Istruzioni per l'installazione	66
Regolazione della panoramica e dell'inclinazione.....	67
Regolazione dello zoom e della messa a fuoco (tipo con obiettivo varifocale).....	68
Istruzioni per l'installazione e la messa in funzione.....	68
Configurazione rapida della rete	69
Descrizione del visualizzatore Web	70
Controllo del lettore e display	70
Manuale utente	71
Tabella del menu di impostazione.....	72
Configurazione rapida	74
Informazioni	74
Utenti	74
Add (Aggiungi)	75
Edit (Modifica)	76
Delete (Elimina).....	76
Date & Time	76
Current Time (Ora corrente).....	76
New Time (Nuova ora)	76
Time Zone (Fuso orario)	77
Day & Time Display (Visualizzazione data e ora).....	77
Rete.....	77
Indirizzo IPv4	78
Indirizzo IPv6	78
DNS	78
Altre informazioni	80

Istruzioni per la sicurezza

Istruzioni generali per la sicurezza

- Prima di collegare e mettere in funzione il sistema, leggete le istruzioni per la sicurezza e le istruzioni per l'uso.
- Conservate con cura le istruzioni per l'uso per un eventuale utilizzo futuro.
- Il montaggio, la messa in funzione e la manutenzione del sistema sono da eseguirsi solo da persone autorizzate e seguendo le relative istruzioni per l'installazione - nell'osservanza di tutte le norme e direttive parimenti applicabili.
- Proteggere le apparecchiature da infiltrazioni d'acqua ed umidità, si potrebbero provocare dei danni permanenti.
- Nel caso si sia comunque infiltrata dell'acqua, non accendere in nessun caso l'apparecchio in tali condizioni, ma portarlo per un controllo presso un centro di assistenza tecnica autorizzato.
- Il sistema non deve mai essere usato al di sopra delle sue capacità essendoci il rischio di distruzione.
- L'apparecchio deve essere protetto da elevati calori, dalla polvere e dalle vibrazioni.
- Per staccare la tensione di alimentazione dal sistema, estraete il cavo di alimentazione solo dalla spina. Mai estrarre direttamente sul cavo.
- Posate il cavo con cura assicurandovi che il medesimo non subisca sollecitazioni meccaniche, non venga piegato o danneggiato e non possa entrare umidità.
- Nel caso si verificano dei guasti funzionali, informate il Vostro fornitore.
- La manutenzione e le riparazioni possono essere eseguite solo da personale tecnico autorizzato.
- Prima di aprire la scatola è necessario staccare l'alimentazione di rete.
- L'apparecchio può essere aperto esclusivamente da personale qualificato dell'Assistenza. Eventuali interventi effettuati da persone non autorizzate fanno decadere la garanzia.
- I cavi di collegamento dovrebbero sempre essere sostituiti esclusivamente da Videor E. Hartig GmbH.
- Usare esclusivamente parti di ricambio ed accessori originali della E. Hartig GmbH.
- Per la pulizia della scatola usare sempre prodotti non abrasivi. Mai usare diluenti o benzina, in quanto si rischia di causare un danneggiamento permanente della superficie.
- Al montaggio si deve sistematicamente controllare che le guarnizioni presenti vengano correttamente disposte e che non vengano spostate. Le guarnizioni danneggiate non devono più essere montate; annullano la garanzia.
- L'installatore è tenuto responsabile per il mantenimento del tipo di protezione secondo dati tecnici, ad es.: attraverso la sigillatura con silicone dell'uscita cavo.
- In caso di accorciamento del cavo flessibile di collegamento usare boccole terminali.
- Gli apparecchi possono funzionare solo entro i limiti di temperatura indicati nei dati tecnici e all'umidità ambiente definita.

Istruzioni per la sicurezza del prodotto

- La telecamera non deve mai essere puntata direttamente verso il sole con il diaframma aperto (distruzione del sensore).
- È inevitabile che nel corso della fabbricazione e, in una certa misura, anche nell'uso successivo, sia presente nella scatola umidità dell'aria ambiente. In caso di forti sbalzi termici si può verificare una formazione di umidità nella scatola.
- Per evitare condensa all'interno della scatola sigillata, il produttore ha inserito bustine di gel di silice nella scatola dei vari tipi di telecamera.
- Tuttavia, per via delle leggi fisiche, dopo un determinato periodo di tempo queste bustine di gel di silice raggiungeranno la saturazione. Occorre pertanto sostituire la bustina di gel di silice con una nuova.
- Durante l'installazione, è essenziale verificare che le guarnizioni fornite siano installate correttamente e che non si spostino durante l'installazione. Le guarnizioni danneggiate non devono più essere montate; annullano la garanzia.
- In prossimità del proiettore IR si deve installare un separatore multipolare facilmente accessibile per scollegare il dispositivo dall'alimentazione per eseguire interventi di assistenza.
- La messa a terra deve essere realizzata conformemente ai requisiti di bassa impedenza indicati nella norma DIN VDE 0100.
- La successiva verniciatura della superficie dell'apparecchiatura può compromettere il funzionamento.
- Qualsiasi diritto di garanzia viene invalidato dalla successiva verniciatura.

- Deve essere mantenuto un margine di sicurezza di > 1 m dal proiettore se si guarda direttamente nel proiettore IR in un ambiente buio.
- Non guardare direttamente le radiazioni LED invisibili utilizzando strumenti ottici (ad es. lente, lente di ingrandimento o microscopio) per prevenire danni agli occhi (LED classe 1M).
- È vietato il funzionamento del proiettore IR con copertura difettosa oppure in caso di riparazione.

Nota sui dispositivi di classe A

Questo è un apparecchio di classe A. Questo dispositivo può provocare malfunzionamenti nella abitazioni; in questo caso l'operatore deve intraprendere misure adeguate per prevenirli.

IT

WEEE (Waste Electrical & Electronic Equipment)

Corretto smaltimento del prodotto (da applicare nei Paesi dell'Unione Europea e altri Paesi europei in sistemi di raccolta separato).



Il contrassegno su prodotto oppure sulla relativa letteratura indica che lo smaltimento al termine della vita utile del prodotto non deve essere effettuato insieme ai normali rifiuti domestici. Effettuate lo smaltimento di questo apparecchio separatamente dagli altri rifiuti al fine di non danneggiare l'ambiente e la salute umana per incontrollato smaltimento di rifiuti. Riciclate l'apparecchio per promuovere il continuo riutilizzo di risorse materiali. Gli utenti privati devono contattare i Venditori, presso i quali è stato acquistato il prodotto, oppure le competenti Autorità per sapere come potere riciclare il prodotto in modo ecologico. Gli utenti industriali devono rivolgersi ai loro fornitori per consultare le condizioni del contratto di acquisto. Questo prodotto

non deve essere smaltito insieme ad altri rifiuti industriali.

Simboli grafici

Prima dell'uso prestare attenzione alle istruzioni per la sicurezza e leggere attentamente e per intero il presente manuale di istruzioni.



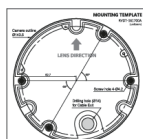
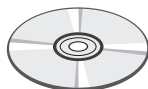
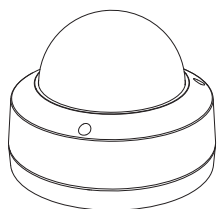
I punti importanti con gli avvisi sono contrassegnati con un simbolo di attenzione.



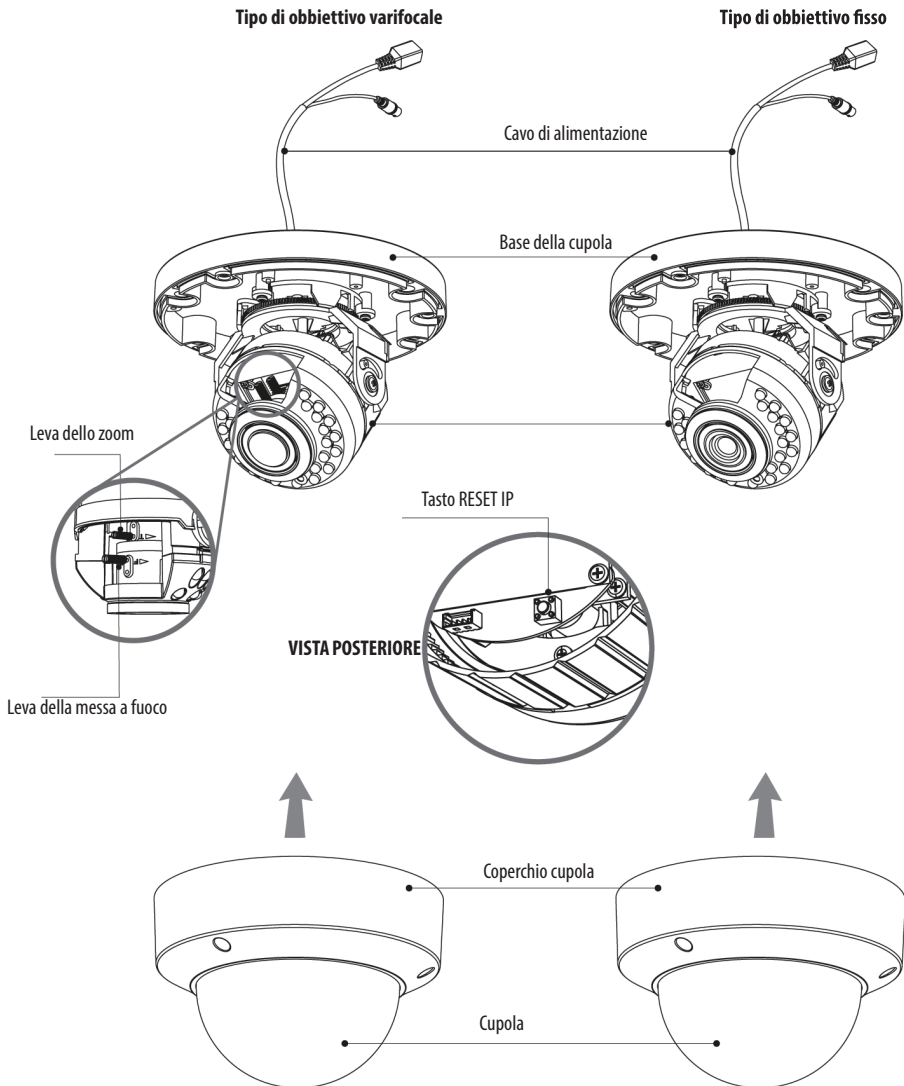
I punti importanti con i consigli sono contrassegnati con un simbolo di nota.

Parti fornite

- Telecamera di rete
- Istruzioni per l'uso
- CD di installazione
- Dima di montaggio
- Tasselli di plastica: 6,5 x 26,6 mm (4x)
- Viti di montaggio: 4 x 25 mm (3x)
- Chiave a L (1x)

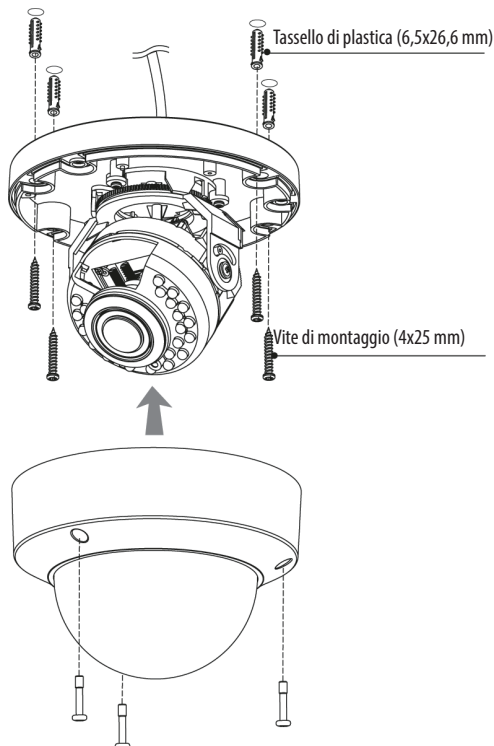


Denominazione dei componenti



Istruzioni per l'installazione

1. Fare quattro fori per il fissaggio al soffitto o alla parete.
2. Disporre la base della cupola in corrispondenza dei fori e fissarla utilizzando le viti di montaggio.
3. Collegare il cavo di alimentazione/Ethernet al relativo collegamento.
4. Regolare l'angolo di visualizzazione della telecamera (panoramica, inclinazione, rotazione)
5. Montare il coperchio della telecamera dome sulla base.




ATTENZIONE:

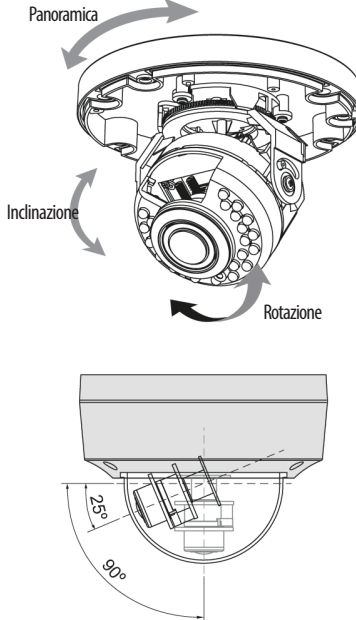
prestare estrema attenzione a NON graffiare l'obiettivo e la superficie della cupola durante le operazioni di installazione o regolazione. Fare attenzione a NON danneggiare, annodare o avvicinare il cavo alla zona di pericolo. Non esporre la telecamera a forti sorgenti di luce dirette quali il sole o faretto.

Regolazione della panoramica e dell'inclinazione

Limite panoramica: regolare il primo angolo di panoramica ruotando la staffa di 360°.

Limite inclinazione: l'inclinazione è limitata a 25°min ~ 90°max. rispetto al soffitto quando l'inclinazione del modulo telecamera è 0°, ossia l'immagine è disposta orizzontalmente.

Limite di rotazione (allineamento dell'immagine orizzontale): regolare l'angolo di rotazione ruotando la staffa superiore di 360°.



**ATTENZIONE:**

prestare attenzione a non torcere il cavo durante la regolazione della panoramica o dell'inclinazione.

Regolazione dello zoom e della messa a fuoco (tipo con obiettivo**varifocale)**

- Girare la leva della messa a fuoco su "N" (vicino) o "∞" (lontano) fino a ottenere la messa a fuoco ottimale.
- Per ampliare l'angolo di visualizzazione, impostare lo zoom su "W" (Wide); per ottenere una vista più da vicino, impostarlo su "T" (Tele)

Istruzioni per l'installazione e la messa in funzione

Assicurarsi che l'alimentazione sia scollegata prima di procedere all'installazione. Dopo aver effettuato correttamente tutti i collegamenti, riapplicare l'alimentazione nell'ordine indicato.

1. Inserire il cavo di rete nella porta Ethernet RJ-45. Se PoE è l'unica alimentazione non sarà necessario collegare il connettore di alimentazione.
2. Se è necessaria l'alimentazione locale 12 VCC, prima collegare la bassa tensione (12 VCC), quindi collegare l'adattatore CC alle prese CC per evitare reset errati dovuti a oscillazioni di tensione e danni provocati da sovratensione (a causa dell'assenza di carico).

i Se PoE e l'alimentazione DC locale vengono collegati contemporaneamente, l'alimentazione locale ha la priorità. La telecamera può essere alimentata a 12 VCC o PoE (IEEE Std. 802.3af). La messa a terra primaria e quella secondaria sono completamente isolate per evitare problemi di loop di messa a terra.

Configurazione rapida della rete

1. Dopo che la telecamera è collegata alla rete, avviare il tool "**eneo Site Manager**" (scaricabile da www.eneo-security.com).
2. Viene visualizzato un elenco di telecamere collegate alla rete locale. Selezionare la telecamera dall'elenco e, facendo clic con il tasto destro del mouse, aprire il menu di scelta rapida.
3. Selezionare l'opzione "Set IP Address [dhcp / static]" (Imposta indirizzo IP [dhcp / static]) per aprire una finestra in cui impostare le proprietà IP della telecamera. Al termine fare clic sul pulsante "OK" per aggiornare le impostazioni della telecamera.
4. Per impostazione predefinita la telecamera è impostata su DHCP. Se nella rete non è presente un server DHCP, dopo qualche istante la telecamera torna all'indirizzo IP predefinito. In questo scenario si invita ad aggiungere alla rete una sola telecamera per volta per evitare conflitti dovuti a indirizzi IP identici.
L'indirizzo IP predefinito della telecamera di rete è: **192.168.1.10**.
5. Facendo clic con il tasto destro del mouse sul nome del dispositivo nel tool eneo Site Manager si apre il menu di scelta rapida. Utilizzare l'opzione "**Open Device Web Site**" per accedere alla telecamera.
6. Si apre la pagina di accesso al visualizzatore Web nel browser predefinito. Nel caso di Microsoft Internet Explorer, installare l'Active-X denominato VIDEOR E. Hartig GmbH seguendo le istruzioni riportate nella parte inferiore del browser.
7. Utilizzare il nome utente e la password predefiniti per eseguire l'accesso.

Nome utente predefinito: admin

Password predefinita: admin

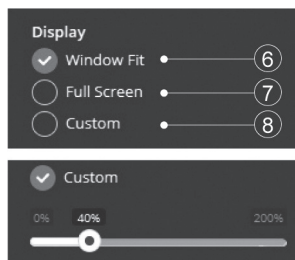
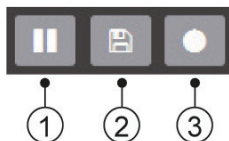


Descrizione del visualizzatore Web



- (A) Pulsante Menu: fare clic sul pulsante per visualizzare o nascondere la barra del menu di impostazione.
- (B) Model name (Nome modello): mostra il nome del modello di telecamera collegato.
- (C) Select Language (Seleziona lingua): imposta la lingua del visualizzatore Web (inglese, tedesco o francese).
- (D) Barra del menu di impostazione principale: imposta le funzioni della telecamera o della rete.
- (E) Finestra di monitoraggio della telecamera: mostra la vista o la funzione della telecamera correntemente collegata.
- (F) Chiudere la sessione e uscire dal visualizzatore Web.

Controllo del lettore e display



- (1) Pause (Pausa): congela il video corrente.
- (2) Snapshot (Istantanea): scatta una fotografia dell'immagine video visualizzata. Supporta le funzioni di visualizzazione del formato dell'immagine originale, di stampa e di salvataggio. Altoparlante: consente l'uscita audio alla porta uscita audio.
- (3) Registrazione: non disponibile
- (4) Window Fit (Adatta alla finestra): adatta la visualizzazione live alle dimensioni della finestra.
- (5) Full Screen (Schermo intero): ridimensiona la visualizzazione live per adattarla alla risoluzione del monitor. Il tasto ESC torna alla vista precedente.
- (6) Custom (Personalizzato): consente di selezionare la scala di visualizzazione live, 0% ~ 200%, con la barra di controllo. 100% è la dimensione originale.

Manuale utente

Funzione del menu Help. Fare clic per aprire la pagina relativa al menu selezionato.

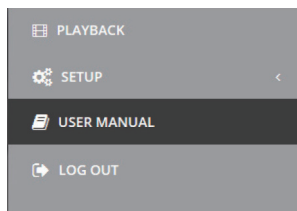


Tabella del menu di impostazione

Categoria	Menu	Configurazione		
LIVE VIEW	Player Control	Pause, Snapshot, Record (*)		
		Display (Window Fit, Full Screen, Custom)		
	Video Stream	Stream1, Stream2, Stream3		
	Protocol	HTTP, TCP, UDP		
	PTZ Control (*)	Zoom, Focus, Push AF		
PLAYBACK (*)	Event Search, Timeline Search, Timeline Bar			
SETUP	Informazioni	General, System Information, Open source Information		
	Video & Image	Source		
		Stream1/2/3		
		Image	Basic	Brightness, Contrast, Saturation, Hue, Sharpness, Enable flip image, Enable mirror image
			OSD	Enable text OSD, Enable date&time OSD, Enable zoom&focus OSD (*), Mode
			AE	Mode, Shutter, Max shutter, Gain, Max gain, Slow Shutter, Auto iris, Auto flicker-less
			AWB	Mode, Cb Gain, Cr Gain
			AF (*)	Mode, Speed, Lens Locking, Locking Timer, Lens Calibration, Enable Day&Night sync focus
			Day&Night	Mode, Switching time, Threshold (D->N), Threshold (N->D), IR LED Control, Smart IR
			WDR	WDR (Mode, Level), Defog (Mode)
			BLC	BLC (Mode, Level), HLC (Mode)
			DNR	2DNR(Mode, Level), 3DNR(Mode, Level)
			LDC	Mode, Level, Boundary Line
		VerticalView	Mode, Rotation	
		Privacy Mask	Color, Name	
Digital Zoom	Level			

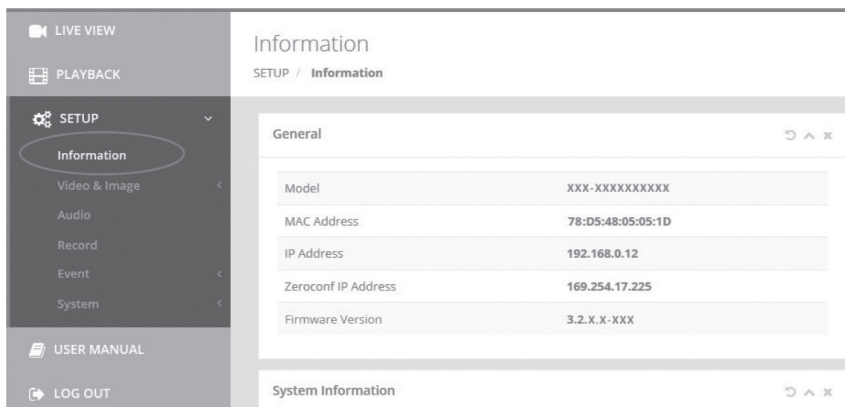
SETUP	Record (*)	Registrazione	Sovrascrittura quando la memoria è piena, registrazione continua
		Schedule	
		Storage	Format, Remove, Storage Information
	Event	Triggers	Motion, VCA, Tamper, Alarm In, System, Manual, Network, Timer, Day/Night
		Actions	Record (*), Alarm Out, E-Mail, FTP, Video Boost, Notification Server
		Rules	Event Processing, ONVIF Mapping
	Sistema	Security	User, HTTPS, IP Filter, ONVIF, Video Stream, Export/Import
		Date & Time	Current Time, New Time, Time Zone, Date & Time Display
		Rete	TCP/IP, DDNS, RTP, UPnP, Zeroconf, Bonjour
		Language	English, German, French, Polish, Finnish, Korean
		Manutenzione	Maintain (Restart, Reset, Default), Upgrade, Setup Export, Setup Import
		Log & Report	Logs (Database Capacity, Search Condition, Log List), Report
	MANUALE UTENTE		
LOG OUT			

(*) Non disponibile

Configurazione rapida

Informazioni

Visualizza le informazioni generali sul sistema come il nome del modello, l'indirizzo MAC, l'indirizzo IP, l'indirizzo IP Zeroconf, la versione del firmware, l'ora del server, il tempo di esecuzione, l'utilizzo della CPU, la larghezza di banda in entrata / in uscita e l'elenco Open Source.



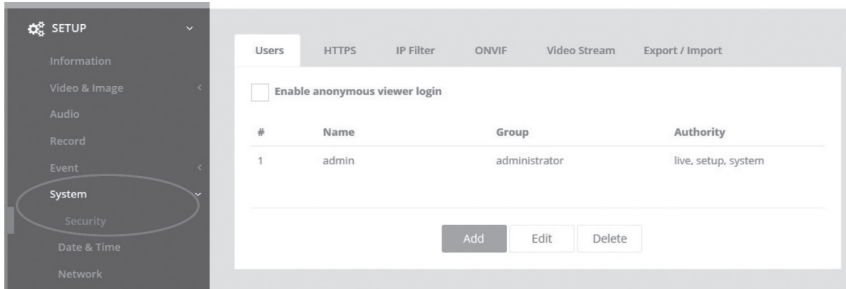
General	
Model	XXX-XXXXXXXXXX
MAC Address	78:D5:48:05:05:1D
IP Address	192.168.0.12
Zeroconf IP Address	169.254.17.225
Firmware Version	3.2.X.X-XXX

System Information

Utenti

Gestisce gli account utente per nome, gruppo e autorità.

- Selezionare ENABLE ANONYMOUS VIEWR LOGIN (Permetti accesso anonimo) se qualche utente ha il permesso di accedere in modo anonimo. Se si accede al menu SETUP con l'accesso anonimo, occorre uscire e inserire l'ID/password.
- > USERS (Utenti): possono essere aggiunti, modificati o eliminati.

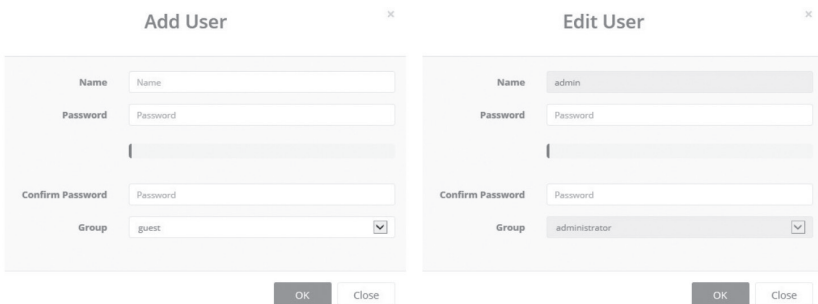


Fare clic sui pulsanti Add (Aggiungi), Edit (Modifica) o "Delete" (Elimina) per gestire l'account utente.

Add (Aggiungi)

Per aggiungere un nuovo utente:

1. Fare clic sulla scheda Add (Aggiungi) e digitare un nuovo nome utente (da 1 a 14 caratteri alfanumerici). I nomi utente non fanno differenza tra maiuscole e minuscole.
2. Digitare una password e ridigitarla per confermarla (da 1 a 8 caratteri alfanumerici). Le password fanno differenza tra maiuscole e minuscole.
3. Selezionare uno dei gruppi da assegnare all'utente.
4. Fare clic sul pulsante OK per salvare le impostazioni e aggiungere un nuovo utente.



Edit (Modifica)

Per modificare un utente:

1. Selezionare il nome utente da modificare dall'elenco degli utenti.
2. Fare clic sulla scheda Edit (Modifica); si apre una nuova finestra popup.
3. Digitare una password (da 1 a 8 caratteri alfanumerici) e ridigitarla per confermarla. **Non è possibile modificare il nome utente.**
4. Selezionare uno dei gruppi da assegnare all'utente.
5. Fare clic sul pulsante OK per salvare le impostazioni e modificare un utente.

Delete (Elimina)

Per eliminare un utente:

1. Selezionare il nome utente da eliminare dall'elenco degli utenti.
2. Fare clic sulla scheda Delete (Elimina). Viene visualizzata una finestra di dialogo con il messaggio di conferma.
3. Fare clic sul pulsante OK. Il profilo utente viene rimosso dall'elenco.

Date & Time

Current Time (Ora corrente)

Indica la data e l'ora corrente. Facendo clic su SALVA si aggiorna e salva la data e l'ora con i valori selezionati in NEW TIME (Nuova data/ora).

New Time (Nuova ora)

Selezionare uno dei seguenti orari del server.

- Synchronize with computer time (Sincronizza con l'ora del computer): ottiene l'ora dal computer.
- Set manually (Imposta manualmente): imposta manualmente la data e l'ora.
- Synchronize with NTP Server (Sincronizza con il server NTP): ottiene l'ora dal server NTP assegnato ad ogni ora in INTERVAL (Intervallo). L'indirizzo IP del server NTP o il nome host deve essere specificato nel server di tempo.

Time Zone (Fuso orario)

Selezionare il fuso orario da utilizzare sul server NTP in cui è installata la telecamera. Selezionare la casella di controllo AUTOMATICALLY ADJUST FOR DAYLIGHT SAVING CHANGES (Regola automaticamente per le modifiche dell'ora legale) per aggiornare automaticamente l'ora con l'ora legale.

Day & Time Display (Visualizzazione data e ora)

Selezionare i formati data/ora da visualizzare.

IT

The screenshot shows the 'Date & Time' configuration page. The left sidebar contains a 'SETUP' menu with 'System' circled. The main content area has three sections: 'Current Time' (Date: 01-01-1970, Time: 23:57:25), 'New Time' (with options for 'Synchronize with computer time', 'Set manually', and 'Synchronize with NTP server'), and 'Time Zone'. A 'Success' dialog box is displayed over the 'New Time' section, stating 'This request has been performed without error' with a 'Save' button.

Rete

Il server DHCP (Dynamic Host Configuration Protocol) prevede una funzione che assegna automaticamente un indirizzo IP al dispositivo se vi è un dispositivo nella rete.

Indirizzo IPv4

Obtain IP address via DHCP (Ottieni indirizzo IP tramite DHCP):

Ottiene l'indirizzo IP assegnato dal server DHCP (Dynamic Host Configuration Protocol).

Status (Stato)

'Allocated' indica che l'indirizzo IP viene ottenuto dal DHCP.

IP address (Indirizzo IP), Subnet mask, Gateway

Mostra l'indirizzo IP corrente ottenuto da DHCP

Use the following IP address (Utilizza il seguente indirizzo IP):

Selezionare questa casella per assegnare l'indirizzo IP manualmente.

Indirizzo IPv6

Selezionare la casella di controllo ENABLE (Consenti) per utilizzare l'indirizzo IPv6 e fare clic sul pulsante SAVE (Salve) per ricevere il nuovo indirizzo IPv6.

DNS

Obtain DNS address via DHCP (Ottieni l'indirizzo DNS tramite DHCP)

Ottiene l'indirizzo DNS assegnato automaticamente dal server DHCP.

Use the following DNS address (Utilizza il seguente indirizzo DNS)

Richiede l'immissione manuale come indicato di seguito.

- DOMAIN NAME (Nome dominio): immettere il dominio per il nome host
- PRIMARY DNS SERVER (Server DNS primario): immettere l'indirizzo IP del server DNS primario.
- SECONDARY DNS SERVER (Server DNS secondario): immettere l'indirizzo IP del server DNS secondario.

LIVE VIEW

PLAYBACK

SETUP

- Information
- Video & Image
- Audio
- Record
- Event
- System**
- Security
- Date & Time
- Network
- Language
- Maintenance

Network

SETUP / System / Network Save

TCP/IP DDNS RTP UPnP Zeroconf Bonjour

IPv4 Address

Obtain IP address via DHCP server

Status: **Allocated**

IP address: 192 · 168 · 0 · 87

Subnet mask: 255 · 255 · 255 · 0

Gateway: 192 · 168 · 0 · 1

Use the following IP address

IT

Altre informazioni

Verificare sempre di aver eseguito l'upgrade all'ultima versione del firmware disponibile sul sito web eneo all'indirizzo www.eneo-security.com per disporre delle ultime funzioni del prodotto.

Il Manuale utente e altri strumenti software sono disponibili sul sito web eneo all'indirizzo www.eneo-security.com oppure sul CD fornito.

Per informazioni sulle soluzioni software di video management compatibili vedere la categoria **Videomanagement** sul sito www.eneo-security.com.

Software Open Source

Il software fornito con questo prodotto contiene software protetto da copyright il cui utilizzo viene concesso con licenze open source.

È possibile richiedere a Eneo il codice sorgente completo per un periodo di tre anni dopo l'ultima spedizione di questo prodotto inviando un'e-mail a: opensource@eneo-security.com.

La fornitura del codice sorgente completo su un supporto fisico come un CD-ROM può essere soggetta al pagamento del costo della distribuzione fisica del codice.

Per maggiori dettagli sul software Open Source consultare il sito web di eneo all'indirizzo www.eneo-security.com o il CD fornito con il prodotto.



eneo® is a registered trademark of
VIDEOR E. Hartig GmbH
Exclusive distribution through specialised
trade channels only.

VIDEOR E. Hartig GmbH
Carl-Zeiss-Straße 8
63322 Rödermark/Germany
Tel. +49 (0) 6074 / 888-0
Fax +49 (0) 6074 / 888-100
www.videor.com
www.eneo-security.com

Technical changes reserved

© Copyright by VIDEOR E. Hartig GmbH
Version 04/2018