



EN
DE
FR
IT

Quick Installation Guide

**1/2.8" Network Dome, Fixed,
2048x1536, Day&Night, D-WDR,
2.8-12mm, Infrared, IP67**

IPD-73M2812MWA

Table of content

Parts supplied	5
Part names	6
Installation instructions	7
Pan & Tilt adjustments	8
Power supply connections.....	9
How to access via Wi-Fi	11
Quick Network Setup	13
Web viewer description	14
Player control & Display	14
PTZ Control.....	15
User Manual	16
Setup Menu Table	17
Quick Setup	19
Information	19
Users	19
Add	20
Edit.....	20
Delete	21
Date & Time	21
Current Time	21
New Time.....	21
Time Zone	21
Day & Time Display	22
Network	22
IPv4 Address	22
IPv6 Address	23
DNS	23
Further information	24

Safety instructions

General safety instructions

- Before switching on and operating the system, first read this safety advice and the operating instructions.
- Keep the operating instructions in a safe place for later use.
- Installation, commissioning and maintenance of the system may only be carried out by authorised individuals and in accordance with the installation instructions - ensuring that all applicable standards and guidelines are followed.
- Protect the devices from water penetration and humidity, since these can cause lasting damage.
- Should moisture nevertheless enter the system, under no circumstance switch on the devices under these conditions, instead send them for examination to an authorised specialist workshop.
- The system must never be used outside of the technical specifications, since this can destroy it.
- The device must be protected from excesses of heat, dust, humidity and vibration.
- When separating the system from the voltage supply, only ever use the plug to pull out the cable. Never pull directly on the cable itself.
- Lay the connecting cables carefully and check that they are not mechanically stressed, kinked or damaged and that no humidity can penetrate into them.
- In the event of a malfunction, please inform your supplier.
- Maintenance and repairs may only be carried out by authorised specialist personnel.
- The system must be isolated from the power supply before opening the housing.
- The device may only be opened by qualified service personnel. Unauthorised access invalidates any warranty claim.
- Connection cables should always be exchanged through Videor E. Hartig GmbH.
- Use only original spare parts and accessories from Videor E. Hartig GmbH.
- The housing should only be cleaned using a mild domestic cleaning agent. Never use solvents or petrol as these can permanently damage the surface.
- During installation, it is essential to ensure that the seals provided are correctly installed and that they are not displaced during installation. Damaged seals must not be installed and will invalidate any warranty.
- The installer is responsible for the maintenance of the enclosure as per the technical data, e.g. by sealing the cable outlets with silicone.
- Wire end ferrules should be used when shortening the flexible connection cables.
- The devices may only be operated in the temperature range indicated in the data sheet and within the defined air humidity range.

Product - Specific Safety Instructions

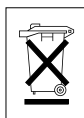
- The camera may never be pointed directly at the Sun with the aperture open (this will destroy the sensor).
- It is unavoidable that during manufacture and to a certain extent during later use, humidity will be present in the ambient air within the device's housing. In the event of large temperature fluctuations, this humidity may condense inside the housing.
- To avoid this condensation inside the very tightly sealed housing, the manufacturer has inserted silica gel sachets in the housing of the various camera types.
- It is however a physical given, that these silica gel bags will reach saturation after a certain amount of time. They should therefore be replaced with new silica gel sachets.
- During installation, it is essential to ensure that the seals provided are correctly installed and that they are not displaced during installation. Damaged seals must not be installed and will invalidate any warranty.
- A multipolar, easily accessible isolation device should be installed in the proximity of the IR Spotlight, in order to disconnect the device from the power supply for service work.
- The earth connection must be made according to the low impedance requirement of DIN VDE 0100.
- Subsequent painting of the equipment surface can impair the function.
- Any warranty claim is invalidated by subsequent painting.
- A safety margin of > 1m from the spotlight must be maintained when viewing directly into the IR Spotlight in a darkened environment.
- Do not look directly at invisible LED radiation using optical instruments (e.g. a reading glass, magnifying glass or microscope), since this can endanger the eyes, LED Class 1M.
- Operation of the IR spotlight with a defective cover or during repair is prohibited.

Class A device note

This is a Class A device. This device can cause malfunctions in the living area; in such an event, the operator may need to take appropriate measures to compensate for these.

WEEE (Waste Electrical & Electronic Equipment)

Correct Disposal of This Product (Applicable in the European Union and other European countries with separate collection systems).



This marking shown on the product or its literature, indicates that it should not be disposed with other household wastes at the end of its working life. To prevent possible harm to the environment or human health from uncontrolled waste disposal, please separate this from other types of wastes and recycle it responsibly to promote the sustainable reuse of material resources. Household users should contact either the retailer where they purchased this product, or their local government office, for details of where and how they can take this item for environmentally safe recycling. Business users should contact their supplier and check the terms and conditions of the purchase contract. This product should not be mixed with other commercial wastes for disposal.

Graphical symbols

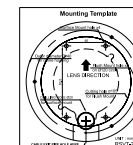
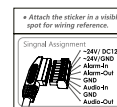
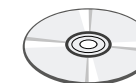
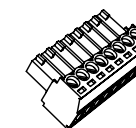
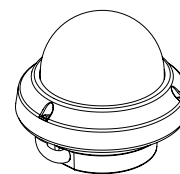
Please pay attention to the safety instructions, and carefully read through this instruction guide before initial operation.

Important points of warning are marked with a caution symbol.

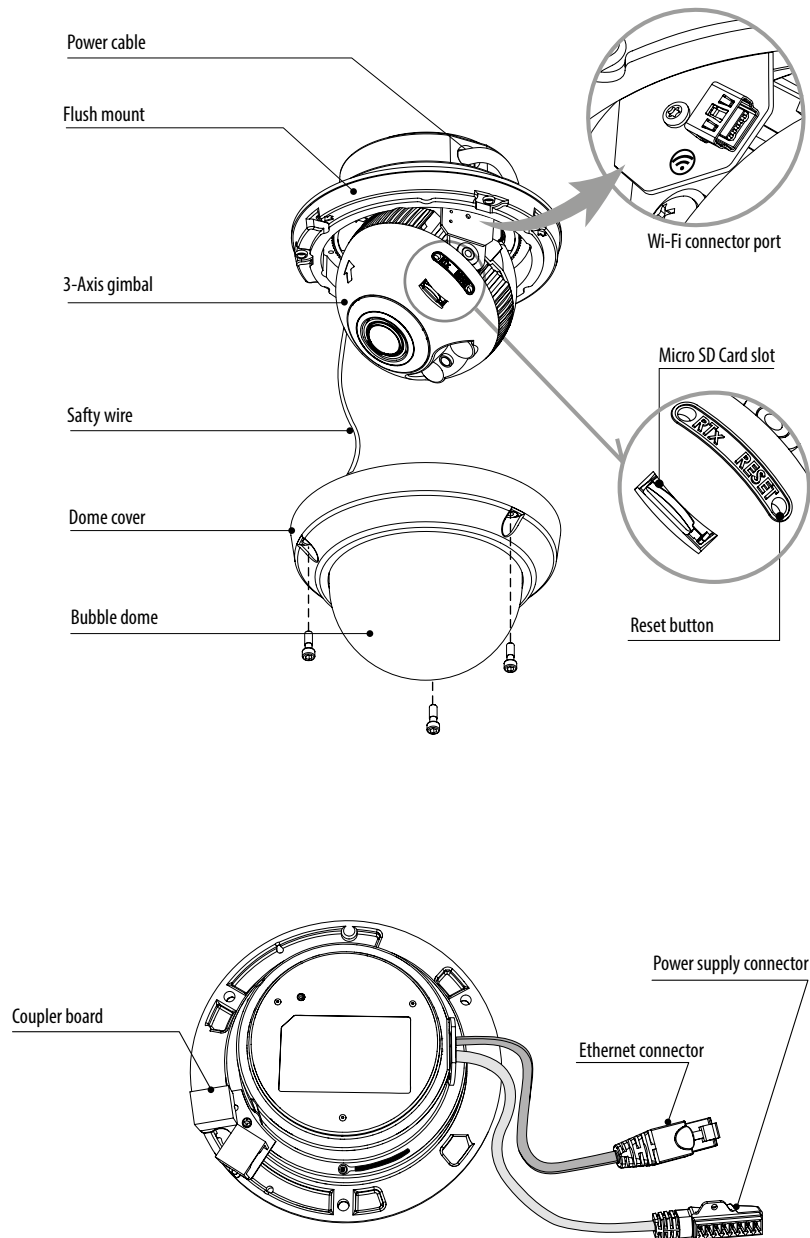
Important points of advice are marked with a notice symbol.

Parts supplied

- Dome Camera
- Operating Instruction
- CD
- Cable Signal Sticker
- Mounting Template
- Plastic Anchor: 6 x 30mm (3x)
- Mounting Screw: 4 x 30mm (3x)
- Connector fixing Screw: 2.5 x 5mm (1x)
- Torque Wrench: 3mm (1x)
- Wiring Connector (1x)



Part names

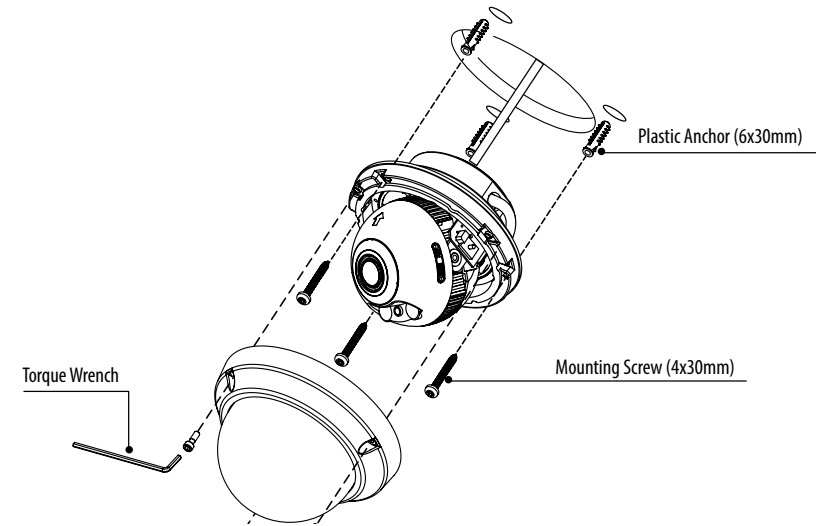


Installation instructions



CAUTION: The camera's base should be attached to a structural object, such as concrete, hard wood, wall stud or ceiling rafter that supports the weight of the camera. If necessary use appropriate mounting material (e.g. anchors) instead of the material enclosed with the camera.

1. Locate the mounting template at the installation position and drill the ceiling or wall.
2. Open the dome cover by loosening screws (4x12mm). Use the torque wrench supplied.
 - Place the dome base unit on pre-drilled position and fix it through using mounting screws (4x30mm).
 - Route the Ethernet & Power cable to the connecting place.
3. Connect the dome cable with the power source cable.
4. Set the camera's viewing angle.
5. If necessary, connect the Wi-Fi dongle to Wi-Fi connector port of the camera then adjust the zoom/focus setting by web menu.
6. Remove the Wi-Fi dongle after completing the settings.
7. Put the dome cover to the dome base unit and tighten the assembly screws.



Optional mounting accessories

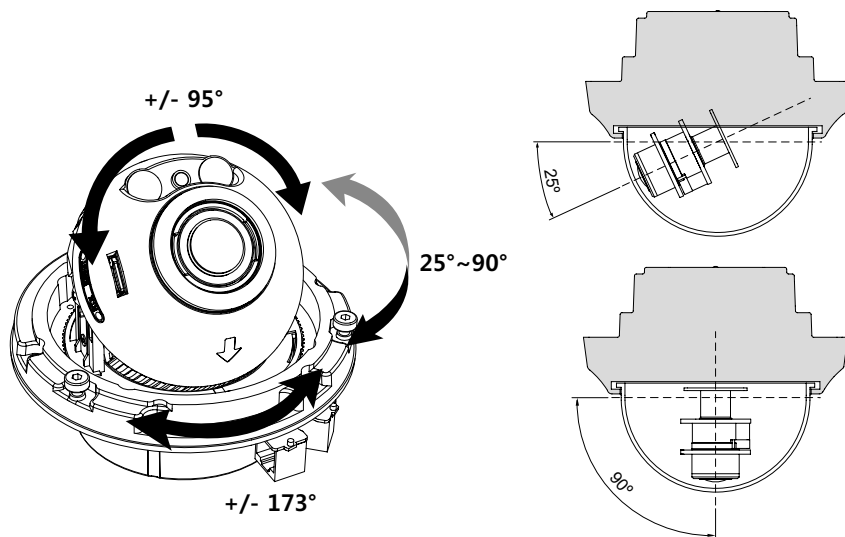
For information on optional mounting accessories please visit the eneo website at www.eneo-security.com.



CAUTION: In the case of installation with Flush/ Surface/ Tilted mount, IP protection rating is not guaranteed. If power/video connectors are exposed to water or rain, separate protection shield is essential.

Pan & Tilt adjustments

1. Pan limit: Pan is limited to $\pm 173^\circ$. Do NOT force to rotate the gimbal over the limit to prevent from the internal damage.
2. Tilt limit: Tilt is limited to 25° min $\sim 90^\circ$ max. with reference to the ceiling when the inclination of camera module is 0° , that is, the image is aligned horizontally.
3. Rotation limit (Horizontal image alignment): Inclination limited to $\pm 95^\circ$ max.



CAUTION:

Extreme care should be taken NOT to scratch the bubble dome surface while the camera installing or adjusting.

Care should be taken the cable is NOT to be damaged, kinked or exposed in the hazardous area.

Tighten enough the dome cover fixing screws so that there should be NO gap between Lens hood and clear bubble to avoid the light inflow from IR LEDs.

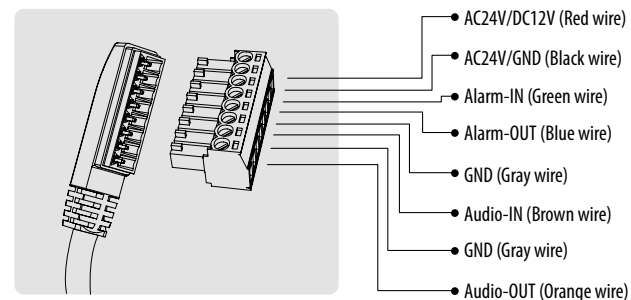
EN

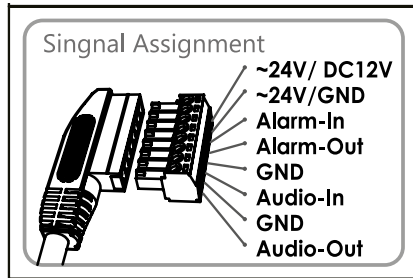
Power supply connections

Make sure the power is removed before the installation. Camera can work with either 24VAC or 12VDC, dual voltage power and PoE (IEEE Std. 802.3af). Primary and secondary grounds are completely isolated to avoid the possible ground loop problems.

1. Plug the network cable into RJ-45 Ethernet Port. If PoE is the unique power, there will be no need to connect Power terminal.
2. When DC12V or AC24V Local power is necessary, connect the low voltage (DC12V or AC24V) first, then plug the AC adapter to AC outlets to avoid an improper reset from power jitter and a damage from the surge voltage when no load.

i When PoE and local dual power are connected at the same time, local power has priority.

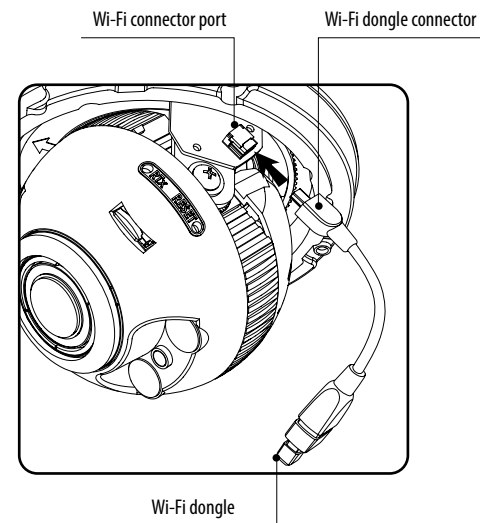




Attach the Signal Assignment Sticker in a visible spot for wiring reference.

How to access via Wi-Fi

1. Plug the Wi-Fi dongle into the Wi-Fi dongle connector.
2. Plug the Wi-Fi dongle connector into the Wi-Fi connector port on the camera.



3. Access the Wi-Fi configuration menu on your mobile phone or tablet.



4. Search for and connect to the Wi-Fi generated by the camera.



i The Password is the cameras MAC address. Please check the MAC address label on the camera!

5. Open the web browser and access 192.168.125.1 (default IP address for Wi-Fi). The log-in page will open up. Please enter default user name (admin) and password (admin).

i Wi-Fi access is only for easy installation and service purpose. Please be advised that camera cannot work through Wi-Fi.

i Wi-Fi dongle connector and Wi-Fi dongle are not included in this camera package.

Quick Network Setup

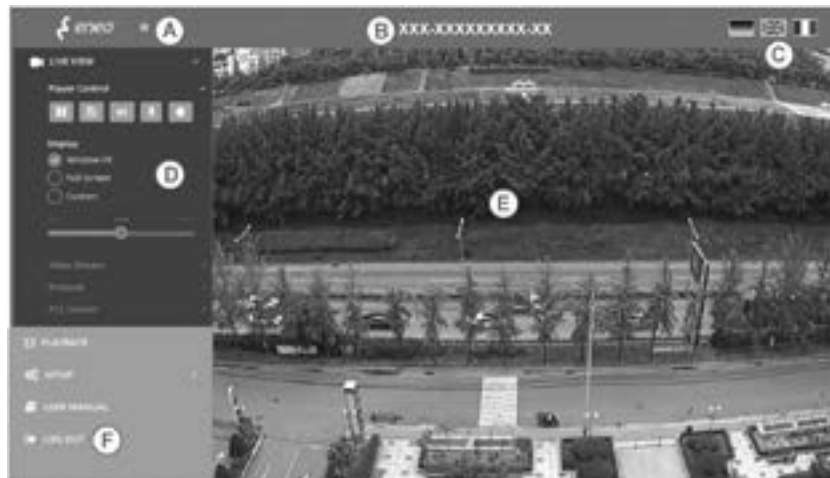
1. After the camera is connected to the network, start 'eneo Scan Device' tool (en-closed CD).
2. Use the 'Scan eneo' button to find the camera in your network.
3. By default the camera is set to DHCP. If there is no DHCP server present in the network the camera will fall back to a default IP address after a while. In this scenario please only add one camera at a time to the network to avoid conflicts due to identical IP addresses.
The network camera's default IP address is: **192.168.1.10**.
4. Right clicking the device name in the eneo Scan Device tool will bring up the context menu. Use the 'Open Device Web Site' option to access the camera.
5. The web viewer login page will open up in your default web browser. In case of Microsoft Internet Explorer install Active-X named VIDEOR E. Hartig GmbH according to the instruction at the bottom of the browser.
6. Use the default user name and password to log in.

Default user name: admin

Default password: admin

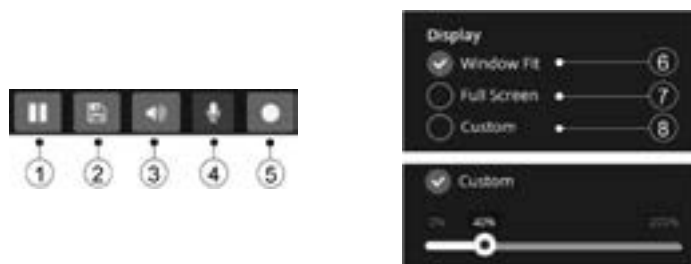


Web viewer description



- (A) Menu button : Click the button to show or hide the setup menu bar.
- (B) Model name : Show a camera model name connected.
- (C) Select Language : Set the web viewer language English, Deutsch or French.
- (D) Main setup menu bar : Set the camera or network functions.
- (E) Camera monitoring window: Display the currently connected camera view or function.
- (F) Log out and exit the web viewer

Player control & Display



- (1) Pause: Pauses the live view.
- (2) Snapshot: Captures the image in .jpg format with the current stream resolution.
- (3) Speaker: Enables audio to be output to the audio out port.
- (4) Microphone: Enable audio to be input from the audio input port.

- (5) Record: Records the live video in H.264 format to the equipped storage memory like SD, SDHC or SDXC from the video stream selected in the RECORD menu.
- (6) Window Fit: Display live view to fit the window size.
- (7) Full Screen: Resizes the live view display to fit to the monitor resolution. ESC key returns to the previous view.
- (8) Custom: Selects the live view display scale, 0%~200%, by the control bar. 100% is the original size.

PTZ Control



Used to adjust zoom/focus manually or one-push focus automatically.

- Zoom: Controls the lens optical zoom in/out for WIDE & TELE.
- Focus: Adjusts the lens focus manually for NEAR & FAR.
- Push AF: Gets the lens to focus at the push of a button.



Note:

- ZOOM, FOCUS & PUSH AF are disabled when PTZ control is locked.
- PTZ control can be unlocked at Setup>Video&Image>Image>AF>Lens Locking to OFF or TIMER.



CAUTION:

- Set LENS LOCKING at Setup>Video&Image>Image>AF>Lens Locking to ON or TIMER after completing lens setting to prevent unwanted lens operation.
- Do not adjust zoom/focus in low light conditions or night mode. It might cause erroneous focusing.
- For V/F versions, Zoom/Focus operation is strongly recommended for installation purpose only. Frequent zoom/focus adjustments can reduce the life span of the lens..

User Manual

Help the menu function. Click and pop-up the page about current menu description.



Setup Menu Table

Category	Menu	Configuration		
LIVE VIEW	Player Control	Pause, Snapshot, Speaker, Microphone, Record		
		Display (Window Fit, Full Screen, Custom)		
	Video Stream	Stream1, Stream2, Stream3		
	Protocol	HTTP, TCP, UDP		
	PTZ Contol	Zoom, Focus, Push AF		
PLAYBACK	Event Search, Timeline Search, Timeline Bar			
SETUP	Information	General, Open source Information		
	Video & Image	Source		
		Stream1/2/3, Snapshot		
		Image	Basic	Brightness, Contrast, Saturation, Hue, Sharpness, Enable flip image, Enable mirror image
			OSD	Enable text OSD, Enable date&time OSD, Enable zoom&focus OSD, Mode
			AE	Mode, Shutter, Max shutter, Gain, Max gain, Auto iris, Auto flicker-less
			AWB	Mode, Cb Gain, Cr Gain
			AF	Mode, Speed, Lens Locking, Locking Timer, Lens Calibration, Enable Day&Night sync focus
			Day&Night	Mode, Switching time, Threshold (D->N), Threshold (N->D), IR LED Control, Smart IR
			WDR	WDR(Mode, Level), Defog (Mode)
			BLC	BLC (Mode, Level), HLC (Mode)
			DNR	2DNR(Mode, Level), 3DNR(Mode, Level)
		LDC	Mode, Level, Boundary Line	
		VerticalView	Mode, Rotation	
		Privacy Mask	Color, Name	
Digital Zoom	Level			
Audio	Compression, Sample rate, Bitrate, Input Volume, Output Volume			

SETUP	Record	Record	Overwrite when storage is full, Continuous record setting
		Schedule	
		Storage	Format, Remove, Storage Information
	Event	Triggers	Motion, VCA, Tamper, Alarm In, System, Manual, Network, Timer, Day/Night
		Actions	Record, Alarm Out, E-Mail, FTP, Video Boost, Notification Server
		Rules	Event Processing, ONVIF Mapping
	System	Security	User, HTTPS, IP Filter, ONVIF, Video Stream, Export/Import
		Date & Time	Current Time, New Time, Time Zone, Date & Time Display
		Network	TCP/IP, DDNS, RTP, UPnP, Zeroconf, Bonjour, Wi-Fi
		Language	English, German, French, Polish, Finnish, Korean
		Maintenance	Maintain (Restart, Reset, Default), Upgrade, Setup Export, Setup Import
		Log & Report	Logs (Database Capacity, Search Condition, Log List), Report
		USER MANUAL	
		LOG OUT	

Quick Setup

Information

Shows the overall information about the system such as Model name, MAC address, IP address, Zeroconf, IP address, Firmware version, Server time, Running time, CPU usage, Inbound/Outbound Bandwidth and Open source list.



Users

Manages the user accounts by names, groups and authorities.

- Mark ENABLE ANONYMOUS VIEWER LOGIN if anyone is permitted to login anonymously. Accessing SETUP menu with the anonymous login will exit and require ID/Password login.
- > USERS : Can be added, edited or deleted.



Click the Add, Edit, or Delete button for managing user account.

Add

To add a new user:

1. Click the Add tab, and type a new user name. (1 to 14 alphanumeric characters). User names are not case sensitive.
2. Type a password and retype confirm password. (1 to 8 alphanumeric characters). Passwords are case sensitive.
3. Select one of the groups you wish to assign to the user.
4. Click the OK button to save the settings and add a new user.



Edit

To edit a user:

1. Select one of the User Names in the User List you want to modify.

2. Click the Edit tab, then new pop-up window appears.
3. Type a password (1 to 8 alphanumeric characters) and retype confirm password.
The user name can't be modified.
4. Select one of the groups you wish to assign to the user.
5. Click the OK button to save the settings and modify a user.

Delete

To delete a user:

1. Select one of the User Names in the User List you want to remove.
2. Click the Delete tab. A dialog box appears with confirmation message.
3. Click the OK button. The user profile is removed from the User List profile.

Date & Time

Current Time

Shows the current date and time. Clicking SAVE tap updates and saves the date and time with the selected time in NEW TIME.

New Time

Select one of the following server time.

- Synchronize with computer time: Obtains the time from the computer.
- Set manually: Sets the date and time manually.
- Synchronize with NTP Server: Obtains the time from the assigned NTP server at every hour in INTERVAL. The NTP server's IP address or host name has to be specified in the time server.

Time Zone

Select the time zone to be referenced to the NTP server where the camera is installed. Mark AUTOMATICALLY ADJUST FOR DAYLIGHT SAVING CHANGES check box to update the time automatically with daylight savings.

Day & Time Display

Select the date & time formats to be displayed.



Network

The DHCP (Dynamic Host Configuration Protocol) server has a feature that automatically assigns an IP address to the device if there is a device on the network.

IPv4 Address

Obtain IP address via DHCP :

Gets the IP address assigned by the DHCP (Dynamic Host Configuration Protocol) server.

Status:

'Allocated' shows that the IP address is obtained from the DHCP.

IP address, Subnet mask, Gateway:

Displays the current IP address which is obtained from the DHCP

Use the following IP address:

Select the choice box if you want to assign the IP address manually.

IPv6 Address

Mark ENABLE check box to use IPv6 address and click SAVE button, then new IPv6 address will be obtained.

DNS

Obtain DNS address via DHCP :

Obtains the DNS address automatically assigned by DHCP server.

Use the following DNS address :

Requires manual input as per below.

- DOMAIN NAME : Enter the domain for the host name
- PRIMARY DNS SERVER : Enter the IP address of the primary DNS server.
- SECONDARY DNS SERVER : Enter the IP address of the secondary DNS server.



Further information

Make sure to always upgrade to the latest firmware version available from the eneo website at www.eneo-security.com to receive the latest functionality for your product.

The manual, and other software tools are available on the eneo website at www.eneo-security.com or on the included CD.

Information on compatible video management software solutions can be found in the category Videomanagement at www.eneo-security.com.

Open Source Software

The software included in this product contains copyrighted software that is licensed under open source licenses.

You may obtain the complete corresponding source code from eneo for a period of three years after the last shipment of this product by sending email to: opensource@eneo-security.com.

If you want to obtain the complete corresponding source code with a physical medium such as CD-ROM, the cost of physically performing source distribution might be charged.

For more details about Open Source Software, refer to the eneo website at www.eneo-security.com or an included product CD.

Inhaltsverzeichnis

Lieferumfang	28
Bezeichnungen von Gerätekomponenten	29
Installationsanweisungen	30
Einstellung von Schwenkung und Neigung.....	31
Stromversorgungsanschlüsse.....	32
Zugriff über WLAN	34
Schnelle Netzwerkkonfiguration	36
Beschreibung des Web-Viewers	37
Player-Steuerung & Anzeige	37
PTZ-Steuerung	38
Benutzerhandbuch	39
Übersicht des Konfigurationsmenüs.....	40
Schnellkonfiguration	42
Information	42
Benutzer	42
Hinzufügen	43
Bearbeiten	44
Löschen.....	44
Datum/Uhrzeit	44
Aktuelle Uhrzeit	44
Neue Uhrzeit	44
Zeitzone.....	45
Datum- & Uhrzeitanzeige.....	45
Netzwerk	46
IPv4-Adresse	46
IPv6-Adresse	46
DNS	46
Weitere Informationen	48

Sicherheitsanweisungen

Sicherheitshinweise allgemein

- Bevor Sie das System anschließen und in Betrieb nehmen, lesen Sie zuerst diese Sicherheitshinweise und die Betriebsanleitung.
- Bewahren Sie die Betriebsanleitung sorgfältig zur späteren Verwendung auf.
- Montage, Inbetriebnahme und Wartung des Systems darf nur durch dafür autorisierte Personen vorgenommen und entsprechend den Installationsanweisungen - unter Beachtung aller mitgeltenden Normen und Richtlinien - durchgeführt werden.
- Die Geräte gegen Eindringen von Wasser und Feuchtigkeit schützen, dies kann zu dauerhaften Schäden führen.
- Sollte dennoch Feuchtigkeit eingedrungen sein, die Geräte nie unter diesen Bedingungen einschalten, sondern zur Überprüfung an eine autorisierte Fachwerkstatt geben.
- Das System darf nie außerhalb der technischen Daten benutzt werden, da es zerstört werden kann.
- Das Gerät ist vor großer Hitze, Staub, Feuchtigkeit und Vibrationseinwirkung zu schützen.
- Um das System von der Versorgungsspannung zu trennen, ziehen Sie das Kabel nur am Stecker heraus. Ziehen Sie nie direkt am Kabel.
- Verlegen Sie die Verbindungskabel sorgfältig und stellen Sie sicher, dass die Kabel nicht mechanisch beansprucht, geknickt oder beschädigt werden und keine Feuchtigkeit eindringen kann.
- Falls Funktionsstörungen auftreten, benachrichtigen Sie bitte Ihren Lieferanten.
- Wartung und Reparaturen dürfen nur von autorisiertem Fachpersonal ausgeführt werden.
- Vor Öffnen des Gehäuses ist eine Netztrennung erforderlich.
- Das Gerät darf nur von qualifiziertem Servicepersonal geöffnet werden. Fremdeingriffe beenden jeden Garantieanspruch.
- Anschlusskabel sollten immer nur durch VIDEOR E. Hartig GmbH ausgetauscht werden.
- Verwenden Sie nur Originalersatzteile und Original-Zubehör von Videor E. Hartig GmbH.
- Zur Reinigung der Gehäuse immer nur ein mildes Haushaltsmittel verwenden. Niemals Verdüner oder Benzin benutzen, dies kann die Oberfläche dauerhaft schädigen.
- Bei der Montage muss grundsätzlich darauf geachtet werden, dass vorhandene Dichtungen ordnungsgemäß eingesetzt und bei der Montage nicht verschoben werden. Beschädigte Dichtungen dürfen nicht mehr verbaut werden und führen zum Erlöschen des Garantieanspruchs.
- Der Errichter ist für die Aufrechterhaltung der Schutzart laut technischer Daten verantwortlich, z.B. durch Abdichtung des Kabelaustritts mit Silikon.
- Bei Kürzung von flexiblen Anschlussleitung sind Adernendhülsen zu verwenden.
- Die Geräte dürfen nur in den im Datenblatt angegebenen Temperaturbereiche und der definierten Umgebungsluftfeuchte betrieben werden.

Sicherheitshinweise produktbezogen:

- Die Kamera darf nie mit geöffneter Blende direkt gegen die Sonne gerichtet werden (dies zerstört den Sensor).
- Es lässt sich nicht vermeiden, dass im Rahmen der Fertigung und auch beim späteren Gebrauch in gewissem Umfang Feuchtigkeit der Umgebungsluft im Gehäuse vorhanden ist. Bei starken Temperaturschwankungen kann sich die Feuchtigkeit im Gehäuse niederschlagen.
- Um dies in dem sehr dicht abschließenden Gehäuse zu vermeiden, hat der Hersteller bei verschiedenen Kameratypen Silicagel-Beutel in das Kameragehäuse eingelegt.
- Es ist eine physikalische Gegebenheit, dass diese Silicagel-Beutel nach einer gewissen Zeit eine Sättigung erreichen. Sie sollten deshalb gegen neue Silicagel-Beutel ausgetauscht werden.
- Bei der Montage muss grundsätzlich darauf geachtet werden, dass vorhandene Dichtungen ordnungsgemäß eingesetzt und bei der Montage nicht verschoben werden. Beschädigte Dichtungen dürfen nicht mehr verbaut werden und führen zum Erlöschen des Garantieanspruchs.
- In der Nähe des IR-Scheinwerfers ist eine vielpolige, leicht zugängliche Trennvorrichtung zu installieren, um das Gerät bei Servicearbeiten frei schalten zu können.
- Die Schutzleiterverbindung muss nach DIN VDE 0100 entsprechend niederohmig ausgeführt werden.
- Nachträgliches Lackieren der Geräteoberfläche kann die Funktion beeinträchtigen.
- Durch das Nachlackieren erlischt jeglicher Gewährleistungsanspruch.

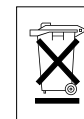
- Bei abgedunkelter Umgebung und direktem Blick in den IR-Scheinwerfer ist ein Sicherheitsabstand von > 1 m zum Scheinwerfer einzuhalten.
- Unsichtbare LED Strahlung nicht direkt mit optischen Instrumenten (z.B. Lupe, Vergrößerungsglas oder Mikroskop) betrachten, da sie eine Augengefährdung verursachen kann, LED Klasse 1M.
- Der Betrieb des IR-Scheinwerfers bei defekter Abdeckung oder bei Reparatur ist untersagt.

Hinweis für Geräte der Klasse A

Dies ist ein Gerät der Klasse A. Dieses Gerät kann im Wohnbereich Funktionsstörungen verursachen; in diesem Fall kann vom Betreiber verlangt werden, angemessene Maßnahmen durchzuführen und dafür aufzukommen.

WEEE-Richtlinie (Elektro- und Elektronik-Altgeräte)

Ordnungsgemäße Entsorgung dieses Produkts (Gilt für die Europäische Union und anderen Europäischen Länder mit getrennten Sammelsystemen)



Dieses am Produkt oder in seiner Dokumentation gezeigte Symbol bedeutet, dass es am Ende seiner Lebensdauer nicht mit dem Hausmüll entsorgt werden darf. Um eventuelle Umwelt- oder Gesundheitsschäden durch unkontrollierte Abfallbeseitigung zu verhindern, dieses Gerät von anderen Abfallarten trennen und ordnungsgemäß recyceln, um die nachhaltige Wiederverwendung materieller Ressourcen zu fördern. Haushaltsanwender sollten entweder den Händler, bei dem sie dieses Produkt gekauft haben, oder ihr örtliches Regierungsbüro kontaktieren, um Einzelheiten darüber zu erfahren, wo und wie sie dieses Gerät umweltgerecht recyceln können. Geschäftliche Anwender sollten sich an ihren Lieferanten wenden und die Bedingungen des

Kaufvertrags überprüfen. Dieses Produkt darf zur Entsorgung nicht mit anderen Unternehmensabfällen vermischt werden.

Grafische Symbole

Bitte beachten Sie die Sicherheitshinweise und lesen Sie diese Anleitung vor Inbetriebnahme sorgfältig durch.



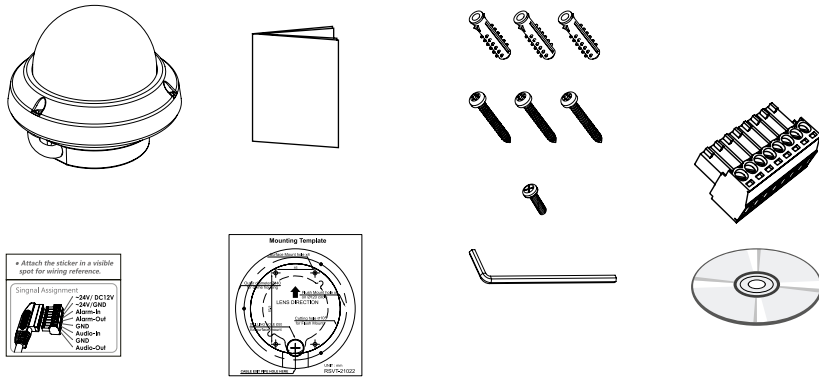
Wichtige Warnhinweise sind mit einem Achtung-Symbol gekennzeichnet.



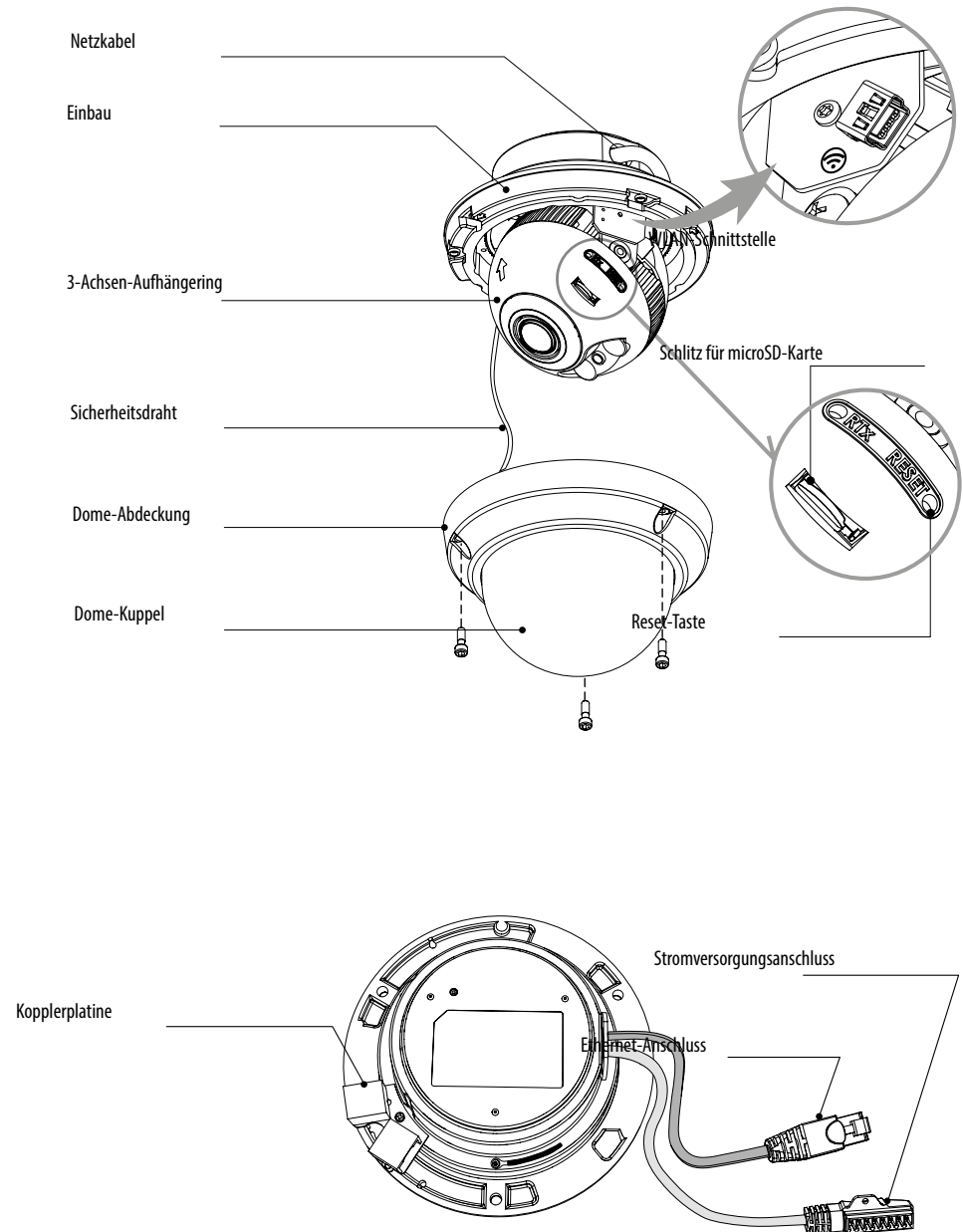
Wichtige Hinweise sind mit einem Hinweis-Symbol gekennzeichnet.

Lieferumfang

- Dome-Kamera
- Betriebsanleitung
- CD
- Kabelsignal-Aufkleber
- Bohrschablone
- Kunststoffdübel: 6 x 30mm (3x)
- Befestigungsschraube: 4 x 30mm (3x)
- Anschluss-Befestigungsschraube: 2,5 x 5mm (1x)
- Inbusschlüssel: 3mm (1x)
- Steckverbinder (1x)



Bezeichnungen von Gerätekomponenten



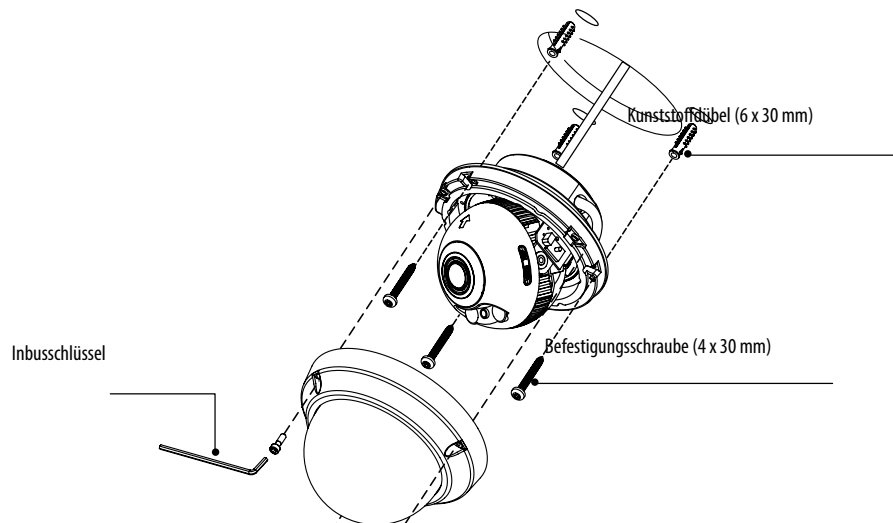
DE

Installationsanweisungen



ACHTUNG: Die Kamerahalterung sollte an einem Bauelement wie etwa Beton, Hartholz, einem Wandständer oder Deckenbalken befestigt werden, welches das Gewicht der Kamera trägt. Verwenden Sie, falls erforderlich, geeignetes Befestigungsmaterial (z.B. Dübel) anstelle des mitgelieferten Materials.

1. Halten Sie die Bohrschablone an die Installationsstelle und bohren Sie die Löcher in Decke oder Wand.
2. Öffnen Sie die Dome-Abdeckung durch Lösen der Schrauben (4 x 12mm). Verwenden Sie den mitgelieferten Inbusschlüssel.
- Setzen Sie die Dome-Basis an die Stelle mit den vorgebohrten Löchern und befestigen Sie sie mit den Befestigungsschrauben (4 x 30 mm).
- Verbinden Sie das Ethernet- und Spannungsversorgungskabel mit den jeweiligen Anschlüssen.
3. Verbinden Sie das Dome-Kabel mit dem Spannungsversorgungskabel.
4. Stellen Sie den Betrachtungswinkel der Kamera ein.
5. Wenn erforderlich, schließen Sie den WLAN-Adapter an die WLAN-Schnittstelle der Kamera an und stellen Sie den Zoom und Fokus in der Webansicht ein.
6. Entfernen Sie den WLAN-Adapter nachdem Sie die Einstellungen vorgenommen haben.
7. Setzen Sie die Dome-Abdeckung auf die Dome-Basis und ziehen Sie die Montageschrauben fest.



Optionales Montagezubehör

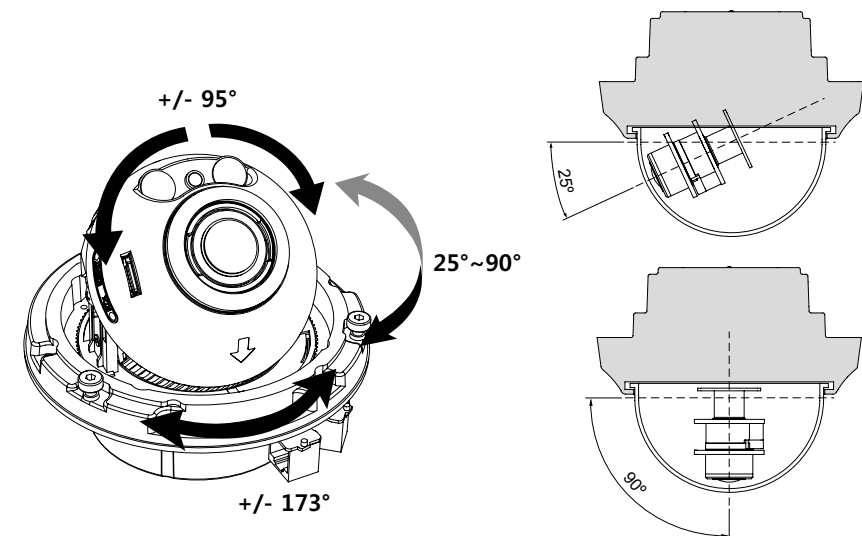
Für weitere Informationen zu optionalem Montagezubehör besuchen Sie bitte die eneo Webseite unter www.eneo-security.com.



ACHTUNG: Im Falle einer Aufbau-, Einbau- oder Winkel-Montage ist die IP-Schutzart nicht garantiert. Wenn die Video- oder Stromanschlüsse dem Wasser oder Regen ausgesetzt sind, ist es notwendig, eine zusätzliche Schutzvorrichtung zu verwenden.

Einstellung von Schwenkung und Neigung

1. Schwenkwinkel: Der Schwenkwinkel ist auf $\pm 173^\circ$ begrenzt. Den Aufhängebügel nicht über den Anschlag hinausdrücken, da sonst interne Beschädigungen auftreten können.
2. Neigungswinkel: Die Neigung ist auf min. 25° bis max. 90° begrenzt, wobei vorausgesetzt wird, dass die Neigung des Kameramoduls in Bezug auf die Decke 0° ist, d.h., dass das Bild horizontal ausgerichtet ist.
3. Drehbereich (horizontale Bildausrichtung): Die Neigung ist begrenzt auf max. $\pm 95^\circ$.



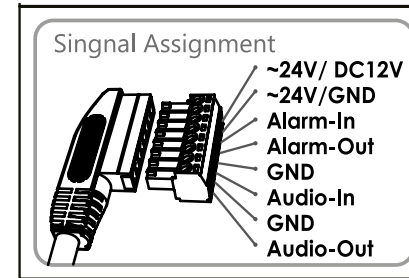


ACHTUNG:

Achten Sie besonders darauf, die Abdeckkuppel der Dome-Kamera während der Installation oder der Einstellung NICHT zu verkratzen.

Es muss sorgfältig darauf geachtet werden, das Kabel NICHT zu beschädigen, zu knicken oder Gefahrenbereichen auszusetzen.

Ziehen sie die Befestigungsschrauben der Dome-Abdeckung so fest, dass KEIN Spalt zwischen der Streulichtblende und der transparenten Kuppel bleibt, um eine Lichteinstrahlung der IR-LEDs in das Objektiv zu vermeiden.



Bringen Sie den Signalbelegungs-Aufkleber an einer sichtbaren Stelle als Referenz für die Anschlussverkabelung an.

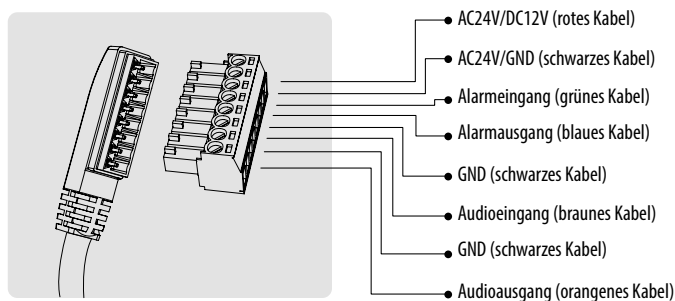
DE

Stromversorgungsanschlüsse

Stellen Sie vor der Installation sicher, dass die Spannungszufuhr unterbrochen ist. Die Kamera kann entweder mit 12VDC oder 24VAC, doppelte Spannungsversorgung und PoE (IEEE Std. 802.3af) betrieben werden. Primäre und sekundäre Masse sind vollständig voneinander isoliert, um mögliche Probleme durch Erdungsschleifen zu vermeiden.

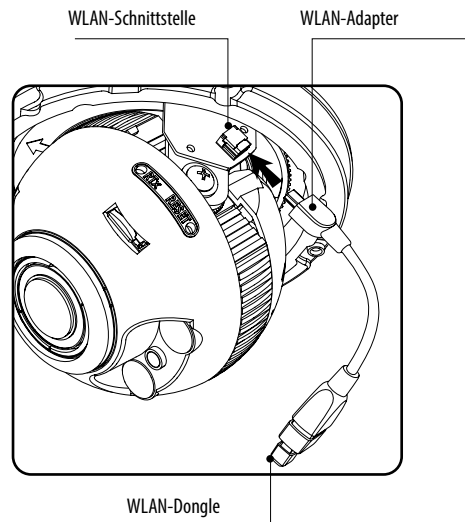
1. Schließen Sie das Netzkabel am RJ-45 Ethernet-Port an. Wenn PoE als einzige Stromquelle verwendet wird, muss die Netzklemme nicht angeschlossen werden.
2. Wenn eine lokale Stromversorgung mit 12VDC bzw. 24VAC notwendig ist, schließen Sie zuerst die Niederspannungsleitung (12VDC bzw. 24VAC) an und stecken Sie erst danach das Netzteil in die Steckdose, um fehlerhafte Resets aufgrund von Spannungsschwankungen und Beschädigungen durch Überspannung bei Lastfreiheit zu vermeiden.

i Wenn PoE und eine lokale duale Stromversorgung gleichzeitig verbunden sind, hat die lokale Stromversorgung Vorrang.



Zugriff über WLAN

1. Stecken Sie den WLAN-Dongle in den WLAN-Adapter ein.
2. Stecken Sie den WLAN-Adapter mit dem Dongle in die WLAN-Schnittstelle der



3. Rufen Sie das WLAN-Einstellungsmenü auf Ihrem Smartphone oder Tablet auf.



4. Suchen Sie nach dem von der Kamera hergestellten WLAN-Netz und stellen Sie



die Verbindung zu diesem auf.

i Als Passwort verwenden Sie bitte die MAC-Adresse der Kamera. Bitte prüfen Sie den Aufkleber mit der MAC-Adresse auf der Kamera.

5. Starten Sie den Web-Browser und rufen Sie die Adresse 192.168.125.1 (Standard-IP-Adresse für WLAN) auf. Die Anmeldeseite wird aufgemacht. Bitte tragen Sie Standard-Benutzernamen (admin) und -Passwort (admin) ein.

i Der WLAN-Zugang ist nur für die Erstinstallation und die Wartungsarbeiten vorgesehen. Bitte beachten Sie, dass der Dauerbetrieb der Kamera über WLAN nicht möglich ist.

i Weder der WLAN-Adapter noch der WLAN-Dongle sind im Lieferumfang der Kamera enthalten.

Schnelle Netzwerkkonfiguration

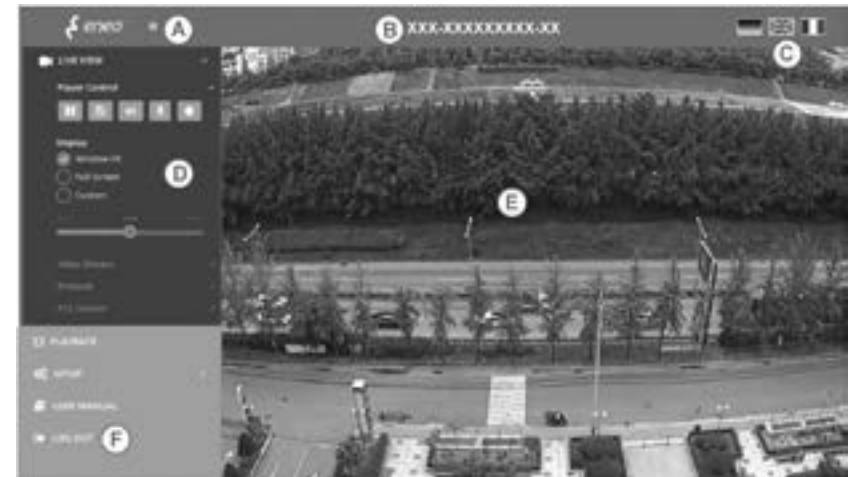
1. Nachdem die Kamera mit dem Netzwerk verbunden wurde, starten Sie das 'eneo Scan Device' Tool (auf der mitgelieferten CD).
2. Klicken Sie auf die 'Scan eneo' Taste, um die Kamera in Ihrem Netzwerk zu finden.
3. Die Kamera ist standardmäßig auf DHCP eingestellt. Wenn kein DHCP-Server im Netzwerk vorhanden ist, wird die Kamera nach einer gewissen Zeit auf eine Standard-IP-Adresse zurückgesetzt. In diesem Fall fügen Sie mehrere Kameras bitte nur nacheinander zum Netzwerk hinzu, um Konflikte aufgrund der identischen IP-Adressen zu vermeiden.
Die Standard-IP-Adresse der IP-Kamera ist: **192.168.1.10**.
4. Klicken Sie mit der rechten Maustaste auf den Gerätenamen im eneo Scan Device Tool, um das Kontextmenü anzuzeigen. Wählen Sie die Option 'Open Device Web Site' (Geräte-Webseite öffnen), um auf die Kamera zuzugreifen.
5. Die Login-Seite des Web-Viewers wird in Ihrem Standard-Webbrowser geöffnet. Bei Microsoft Internet Explorer installieren Sie die Active-X-Komponente namens VIDEOR E. Hartig GmbH entsprechend der Anweisungen am unteren Rand des Browsers.
6. Verwenden Sie den Standard-Benutzernamen und das Standard-Passwort zum Einloggen.

Standard-Benutzername: admin

Standard-Passwort: admin



Beschreibung des Web-Viewers



- (A) Menütaste: Klicken Sie auf diese Taste zum Anzeigen oder Verbergen des Konfigurationsmenüs.
- (B) Modellname: Zeigt den Modellnamen der verbundenen Kamera an.
- (C) Sprache auswählen: Wählen Sie Englisch, Deutsch oder Französisch als Web-Viewer-Sprache.
- (D) Hauptkonfigurationsmenü: Zum Einstellen der Kamera- oder Netzwerk-Funktionen.
- (E) Kameraüberwachungsfenster: Zeigt das Video oder die Funktion der aktuell verbundenen Kamera an.
- (F) Abmelden und den Web-Viewer verlassen

Player-Steuerung & Anzeige



- (1) Pause: Pausiert das Live-Bild.

- (2) Schnappschuss: Erfasst das Bild im .jpg-Format in der aktuellen Auflösung des Streams.
- (3) Lautsprecher: Aktiviert das Ausgeben von Audio an den Audioausgang.
- (4) Mikrofon: Aktiviert den Audioeingang am Audioeingang-Port.
- (5) Aufzeichnung: Aufzeichnung der Live-Ansicht mit der H.264-Kompression auf das installierte Speichermedium SD, SDHC oder SDXC von dem Video-Stream, der unter Menüpunkt AUFZEICHNUNG eingestellt wurde.
- (6) An Fenstergröße anpassen: Die Live-Ansicht wird an die Fenstergröße angepasst.
- (7) Vollbild: Passt die Darstellung von Live-Ansicht-Anzeige der Monitor-Auflösung an. ESC-TASTE: Kehrt zum vorherigen Menü zurück.
- (8) Benutzerdefiniert: Die Vergrößerungsskala (0% ~ 200%) der Live-Ansicht in der Steuerungsleiste wird verwendet. 100% ist die Standardeinstellung.

PTZ-Steuerung



Zur manuellen Zoom-/Fokus-Einstellung oder zur automatischen Fokussierung mittels One-Push-Automatik.

- Zoom: Steuerung des optischen Zooms WIDE und TELE.
- Fokus: Manuelle Einstellung des Fokus für NAH und FERN.
- Push AF: Automatische Einstellung von Fokus auf Knopfdruck.



i Hinweis:

- ZOOM, FOKUS und PUSH AF sind deaktiviert, wenn die PTZ-Steuerung gesperrt ist.
- Die Freigabe der PTZ-Steuerung erfolgt über Setup (Konfiguration)>Video&Image (Video und Bild)>Image (Bild)>AF>Lens Locking (Objektivsperre) - OFF (AUS)

oder TIMER.



VORSICHT:

- Wenn Sie die Konfiguration der ObjektivEinstellungen abgeschlossen haben, stellen Sie Setup (Konfiguration)>Video&Image (Video und Bild)>Image (Bild)>AF>Lens Locking (Objektivsperre) auf ON (EIN) oder TIMER, um die unerwünschten Verstellungen des Objektivs zu vermeiden.
- Richten Sie Zoom und Fokus nicht bei schlechten Lichtverhältnissen oder in der Nacht ein. Dies kann zu fehlerhafter Fokussierung führen.
- Bei den V/F-Modellen darf der Zoom/Fokus-Betrieb nur zu Installationszwecken verwendet werden. Das häufige Verstellen der Zoom-/Fokus-Einstellungen kann die Betriebsdauer des Objektivs verkürzen.

DE

Benutzerhandbuch

Hilfefunktion. Die Seite mit der Beschreibung der aktuellen Menüfunktion wird geöffnet.



Übersicht des Konfigurationsmenüs

Kategorie	Menü	Konfiguration		
LIVE-BILD	Player-Steuerung	Pause, Snapshot, Lautsprecher, Mikrofon, Aufnahme		
		Anzeige: (An Fenstergröße anpassen, Vollbild, Benutzerdefiniert)		
	Video-Stream	Stream 1, Stream 2, Stream 3		
	Protokoll	HTTP, TCP, UDP		
	PTZ-Steuerung	Zoom, Fokus, Push AF		
WIEDERGABE	Ereignissuche, Zeitleistensuche, Zeitleiste			
KONFIGURATION	Information	Allgemein, Open Source Informationen		
		Quelle		
	Video und Bild	Bild	Stream 1/2/3, Schnappschuss	
			Allgemein	Helligkeit, Kontrast, Sättigung, Farbtone, Schärfe, Bildumkehr aktivieren, Bild spiegeln aktivieren
			OSD	Text einblenden, Datum/Zeit einblenden, Zoom/Fokus einblenden, Modus
			AE	Modus, Verschluss, Max. Verschlusszeit, Farbverstärkung, Max. Farbverstärkung, Autom. Blendensteuerung, Autom. flimmerfrei
			AWB	Modus, Cb Verstärkung, Cr Verstärkung
			AF	Modus, Geschwindigkeit, Objektiv-Sperre, Sperr-Timer, Objektiv-Kalibrierung, Fokus-Anpassung bei Tag/Nacht-Wechsel aktivieren
			Tag & Nacht	Modus, Umschaltzeit, Schwellenwert (T -> N), Schwellenwert (N -> T), Steuerung der IR-Beleuchtung, Smart-IR
			WDR	WDR (Modus, Stufe), Defog (Modus)
			BLC	BLC (Modus, Stufe), HLC (Modus)
			DNR	2DNR (Modus, Stufe), 3DNR (Modus, Stufe)
			LDC	Modus, Stufe, Grenzlinie
			VerticalView	Modus, Rotation
			Bereichsmaske	Farbe, Name
	Digitaler Zoom	Level		
	Audio	Kompression, Abtastrate, Bitrate, Eingangspegel, Ausgangspegel		

KONFIGURATION	Aufzeichnung	Aufzeichnung	Bei vollem Speicher überschreiben, Einstellungen für Daueraufnahme
		Zeitplan	
		Speicher	Formatieren, Entfernen, Speicherinformationen
	Ereignis	Auslöser	Bewegung, Manipulation, VCA, Alarmeinangang, System, Manuell, Netzwerk, Timer, Tag-Nacht
		Aktionen	Aufnahme, Alarmausgang, E-Mail, FTP, Video Boost, Benachrichtigungsserver
		Regeln	Ereignisverarbeitung, ONVIF Mapping
		Sicherheit	Benutzer, HTTPS, IP-Filter, ONVIF, Video-Stream, Export/Import
	System	Datum/Uhrzeit	Aktuelle Uhrzeit, Neue Uhrzeit, Zeitzone, Datum & Uhrzeit anzeigen
		Netzwerk	TCP/IP, DDNS, RTP, UPnP, Zeroconf, Bonjour, WLAN
		Sprache	Englisch, Deutsch, Französisch, Polnisch, Finnisch, Koreanisch
		Wartung	Wartung (Neustart, Zurücksetzen, Voreinstellung), Upgrade, Konfiguration exportieren, Konfiguration importieren
		Protokoll und Bericht	Protokolle (Datenbankkapazität, Suchbedingung, Protokollliste), Bericht
		BETRIEBSANLEITUNG	
AUSLOGGEN			

Schnellkonfiguration

Information

Zeigt allgemeine Informationen über das System an wie Modellname, MAC-Adresse, IP-Adresse, Zeroconf-IP-Adresse, Firmware-Version, Serverzeit, Betriebszeit, CPU-Auslastung, den ein- und ausgehenden Datenverkehr und die Open-Source-Liste.



Benutzer

Verwaltung der Benutzerkonten nach Gruppen, Namen und Verantwortungsbereichen.

- Markieren Sie ENABLE ANONYMOUS VIEWER LOGIN (Anmeldung anonymer Benutzer erlauben), um anonymen Benutzern die Anmeldung an der Kamera zu gestatten. Der Zugriff auf das SETUP-Menü mit dem anonymen Login wird beendet und benötigt die Anmeldung mit ID und Passwort.
- > BENUTZER: Können hinzugefügt, bearbeitet oder gelöscht werden.



Klicken Sie auf die Schaltflächen Hinzufügen, Ändern oder Löschen, um die Benutzerkonten zu verwalten.

Hinzufügen

Zum Hinzufügen eines neuen Benutzers:

1. Klicken Sie auf Hinzufügen und geben Sie einen neuen Benutzernamen ein. (1 bis 14 alphanumerische Zeichen). Bei den Benutzernamen wird nicht zwischen Groß- und Kleinschreibung unterschieden.
2. Geben Sie ein Passwort ein und tippen Sie diesen anschließend zur Bestätigung erneut ein. (1 bis 8 alphanumerische Zeichen). Bei Passwörtern wird die Groß-/ Kleinschreibung berücksichtigt.
3. Wählen Sie eine der Gruppen, der Sie den Benutzer zuweisen möchten.
4. Klicken Sie auf die Schaltfläche OK, um die Einstellungen zu speichern und den neuen Benutzer hinzuzufügen.



Bearbeiten

Zum Bearbeiten eines Benutzers:

1. Wählen Sie den Namen des Benutzers aus der Benutzerliste aus, den Sie bearbeiten möchten.
2. Klicken Sie auf die Registerkarte Bearbeiten, dann erscheint ein neues Popup-Fenster.
3. Geben Sie ein Passwort ein (1 bis 8 alphanumerische Zeichen) und tippen Sie diesen anschließend zur Bestätigung erneut ein. **Der Benutzername kann nicht geändert werden.**
4. Wählen Sie eine der Gruppen, der Sie den Benutzer zuweisen möchten.
5. Klicken Sie auf die Schaltfläche OK, um die geänderten Einstellungen des Benutzers zu speichern.

Löschen

Zum Entfernen eines Benutzers:

1. Wählen Sie den Namen des Benutzers aus der Benutzerliste aus, den Sie entfernen möchten.
2. Klicken Sie auf Löschen. In einem Dialogfeld werden Sie um Bestätigung gebeten.
3. Klicken Sie auf die Schaltfläche OK. Das Benutzerprofil wird aus der Benutzerliste entfernt.

Datum/Uhrzeit

Aktuelle Uhrzeit

Zeigt das aktuelle Datum und die aktuelle Uhrzeit an. Beim Klick auf SAVE (SPEICHERN) werden das Datum und die Uhrzeit aktualisiert und unter NEW TIME (NEUE ZEIT) gespeichert.

Neue Uhrzeit

Wählen Sie eine Server-Zeit aus.

- Synchronize with computer time (Synchronisation mit der Computerzeit): Stellt die Uhrzeit anhand der Zeit Ihres Computers ein.
- Set manually (Manuelle Einstellung): Stellt das Datum und die Uhrzeit manuell ein.

- Synchronize with NTP Server (Synchronisation mit NTP-Server): Stellt die Uhrzeit alle 60 Minuten anhand des zugewiesenen NTP-Servers ein. Die IP-Adresse oder der Host-Name des NTP-Servers wird im Zeitserver angegeben.

Zeitzone

Der ausgewählte NTP-Server soll mit der Zeitzone übereinstimmen, in der die Kamera installiert wurde. Markieren Sie das Kontrollkästchen AUTOMATICALLY ADJUST FOR DAYLIGHT SAVING CHANGES (Automatische Sommerzeitumschaltung), um die durch die Sommerzeit erforderlichen Umstellungen automatisch durchführen zu lassen.

Datum- & Uhrzeitanzeige

Wählen Sie das Datums&Zeitformat aus, die angezeigt werden sollen.



Netzwerk

Wenn im Netzwerk ein DHCP-Server (Dynamic Host Configuration Protocol) vorhanden ist, weist dieser Netzwerkgeräten automatisch eine IP-Adresse zu.

IPv4-Adresse

Obtain IP address via DHCP (IP-Adresse von DHCP-Server beziehen):

Ruft die IP-Adresse ab, die vom DHCP-Server (Dynamic Host Configuration-Protokoll) zugewiesen wurde.

Status:

'Allocated' zeigt an, dass die IP-Adresse vom DHCP bezogen wurde.

IP-Adresse, Subnetzmaske, Gateway:

Zeigt die aktuelle IP-Adresse an, die vom DHCP bezogen wurde.

Use the following IP address (Folgende IP-Adresse verwenden):

Markieren Sie das Optionsfeld nur, wenn Sie die IP-Adresse manuell einstellen wollen.

IPv6-Adresse

Markieren Sie das Kontrollkästchen ENABLE (AKTIVIEREN), um die IPv6-Adresse zu verwenden, und klicken Sie auf die Schaltfläche SAVE (SPEICHERN), anschließend wird eine neue IPv6-Adresse bezogen.

DNS

DNS-Adresse von DHCP-Server beziehen:

Bezieht die DNS-Adresse, die vom DHCP-Server automatisch zugewiesen wurde.

Folgende DNS-Adresse verwenden:

Benötigt manuelle Eingabe, siehe unten.

- DOMAIN NAME: Geben Sie die Domain für den Hostnamen ein

- PRIMARY DNS SERVER (Primärer DNS-Server): Geben Sie die IP-Adresse des primären DNS-Servers ein.
- SECONDARY DNS SERVER (Sekundärer DNS-Server): Geben Sie die IP-Adresse des sekundären DNS-Servers ein.



Weitere Informationen

Bitte halten Sie die Firmware stets aktuell, damit Sie die neuesten Funktionen des Geräts nutzen können. Die aktuellsten Firmware-Versionen finden Sie auf unserer Website unter www.eneo-security.com.

Das Benutzerhandbuch und weitere Software-Tools sind auf der eneo Website unter www.eneo-security.com oder auf der mitgelieferten CD verfügbar.

Informationen zu kompatiblen Video Management Software-Lösungen finden Sie in der Kategorie Videomanagement unter www.eneo-security.com.

Open Source Software

Die in diesem Produkt enthaltene Software enthält urheberrechtlich geschützte Software, die unter Open-Source-Lizenzen lizenziert ist.

Sie können den vollständigen dazugehörigen Quellcode von eneo für einen Zeitraum von drei Jahren nach der letzten Lieferung dieses Produkts erhalten, schicken Sie dafür eine E-Mail an: opensource@eneo-security.com.

Wenn Sie den vollständigen dazugehörigen Quellcode auf einem physischen Datenträger wie CD-Rom zu erhalten wünschen, können unter Umständen Kosten für den Versand des Datenträgers anfallen.

Weitere Informationen über Open Source Software finden Sie auf der eneo-Webseite unter www.eneo-security.com oder auf der mitgelieferten CD.

Contenu

Matériel livré	52
Noms des pièces	53
Instructions d'installation	54
Réglages Panoramique/Inclinaisons	55
Connexions d'alimentation	56
Méthode d'accès via le réseau Wi-Fi	58
Configuration rapide du réseau	60
Description de la visionneuse web (Web viewer)	61
Commande du lecteur & affichage	61
Commande PTZ	62
Manuel de l'utilisateur	63
Tableau du menu Configuration.....	64
Configuration rapide	66
Information	66
Utilisateurs	66
Ajouter	67
Éditer.....	68
Supprimer	68
Date & heure	68
Heure actuelle	68
Nouvelle heure.....	68
Fuseau horaire.....	69
Affichage du jour et de l'heure.....	69
Réseau	69
Adresse IPv4	70
Adresse IPv6	70
DNS	70
Complément d'information	72

Instructions de sécurité

Consignes de sécurité générales

- Avant de brancher et de mettre en service le système, veuillez lire d'abord ces consignes de sécurité ainsi que la notice d'instructions.
- Conservez soigneusement la notice d'instructions en vue d'une utilisation ultérieure.
- Le montage, la mise en service et la maintenance du système doivent impérativement être réalisés par des personnes autorisées, en conformité avec les instructions d'installation et en respectant toutes les normes et directives applicables.
- Protéger les appareils contre l'intrusion d'eau et d'humidité du fait d'un risque de dommages durables.
- Si de l'humidité pénètre malgré tout dans un appareil, il ne faut jamais mettre en marche l'appareil dans ces conditions, mais le remettre pour vérification à un atelier de réparation agréé.
- Le système ne doit jamais être utilisé en dehors des conditions techniques qui ont été définies en raison d'un risque de destruction.
- L'appareil doit être protégé contre la chaleur excessive, la poussière, l'humidité et les vibrations.
- Pour couper l'alimentation électrique du système, retirer la fiche de la prise pour débrancher le câble. Il ne faut jamais tirer directement sur le câble.
- Posez avec soin les câbles de raccordement et assurez-vous que les câbles ne subissent aucune contrainte mécanique, ne sont pas pliés ou endommagés et qu'il n'y a pas de pénétration d'humidité.
- Veuillez informer votre fournisseur en cas d'apparition de dysfonctionnements.
- Les travaux de maintenance et de réparation doivent être réalisés par des techniciens spécialisés et agréés.
- L'alimentation électrique doit être coupée avant chaque ouverture du boîtier.
- L'appareil doit être ouvert par des techniciens qualifiés. Toute intervention non autorisée entraîne une expiration de la garantie.
- Les câbles de raccordement doivent toujours être remplacés par Videor E. Hartig GmbH.
- Utiliser exclusivement des pièces de rechange et des accessoires d'origine de VIDEOR E. Hartig GmbH.
- Pour nettoyer le boîtier, il faut utiliser un détergent domestique non agressif. Il ne faut jamais utiliser du diluant ou de l'essence sous peine d'endommager la surface durablement.
- Lors du montage, les joints doivent toujours être mis en place de manière réglementaire et ne doivent pas être déplacés au cours du montage. Les joints endommagés ne doivent plus être utilisés sous peine d'annuler toute garantie.
- L'installateur est responsable du respect du niveau de protection défini dans les caractéristiques techniques, par ex. en utilisant du silicone pour rendre étanche la sortie du câble.
- Des embouts doivent être utilisés quand il faut raccourcir des fils de raccordement flexibles.
- Les appareils doivent être exploités en respectant les plages de températures et l'humidité ambiante définies dans la fiche technique.

Consignes de sécurité spécifiques pour les différents produits

- La caméra ne doit jamais être dirigée vers le soleil avec le diaphragme ouvert (destruction du capteur).
- Il est inévitable qu'une certaine quantité d'humidité provenant de l'air ambiant pénètre dans le boîtier dans le cadre de la fabrication et de l'utilisation ultérieure. L'humidité peut produire une condensation à l'intérieur du boîtier en cas de fortes variations de température.
- Afin d'éviter ce phénomène dans le boîtier qui est très étanche, le fabricant a placé des sachets de gel de silice dans le boîtier de différents types de caméras.
- Ces sachets de gel de silice sont saturés après un certain temps, ce qui est tout à fait normal. Ils devraient donc être remplacés par des nouveaux sachets de gel de silice.
- Lors du montage, les joints doivent toujours être mis en place de manière réglementaire et ne doivent pas être déplacés au cours du montage. Les joints endommagés ne doivent plus être utilisés sous peine d'annuler toute garantie.
- Un dispositif de mise hors tension facile d'accès et multipolaire doit être installé à proximité du projecteur IR.
- Le conducteur de protection doit être réalisé conformément à la norme DIN VDE 0100 avec une faible résistance adaptée.
- L'application ultérieure d'une couche de peinture sur l'appareil peut en perturber le fonctionnement.
- L'application ultérieure d'une couche de peinture entraîne l'expiration de toute demande de garantie.

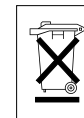
- Une distance de sécurité > 1 m doit être respectée par rapport au projecteur dans un environnement sombre, quand on regarde directement dans le projecteur IR.
- Les rayons invisibles des LED ne doivent pas être observés directement avec des instruments optiques (par ex. loupe, microscope etc.), risque pour les yeux, LED classe 1M.
- Il est interdit d'utiliser le projecteur IR avec un cache défectueux ou pendant des travaux de réparation.

Remarque concernant l'appareil de classe A

Ceci est un appareil de classe A. Cet appareil est susceptible de provoquer des dysfonctionnements dans les locaux d'habitation. Dans ce cas, il peut être demandé à l'exploitant de réaliser les travaux nécessaires et d'en supporter les frais.

WEEE (Waste Electrical & Electronic Equipment)

Élimination conforme du présent produit (applicable dans l'Union européenne et dans d'autres pays européens disposant de systèmes de collecte distincts).



Le marquage indiqué sur le produit ou dans le mode d'emploi indique qu'il ne devrait pas être éliminé avec d'autres déchets ménagers à la fin de sa vie de service. Pour éviter tout effet néfaste sur l'environnement ou sur la santé humaine résultant de l'élimination non contrôlée de déchets, séparez ce produit des autres types de déchets et recyclez-le de manière responsable afin de promouvoir l'utilisation durable des ressources matérielles. Les utilisateurs ménagers doivent contacter soit le revendeur où ils ont acheté ce produit, soit leur organisme local pour obtenir plus d'informations sur le recyclage correct de cet article afin de protéger l'environnement. Les utilisateurs commerciaux doivent contacter leur fournisseur et vérifier les modalités du contrat de vente. Ce produit ne doit pas être mélangé à d'autres déchets commerciaux lors de leur élimination.

Symboles graphiques

Respectez les consignes de sécurité ci-après et lisez attentivement cette notice avant toute utilisation.



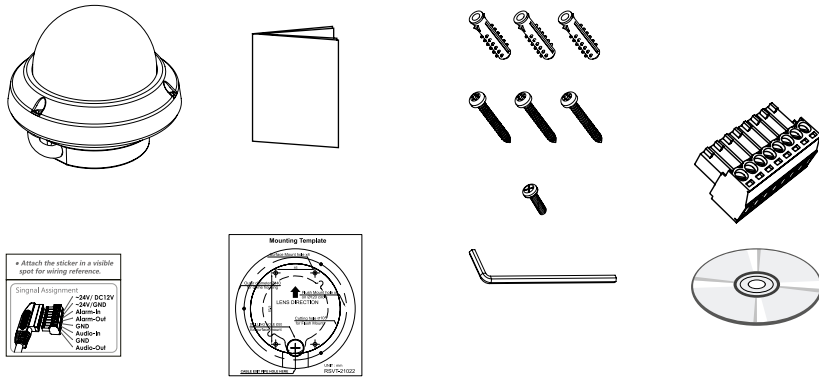
Les mises en garde importantes sont précédées d'un symbole d'avertissement.



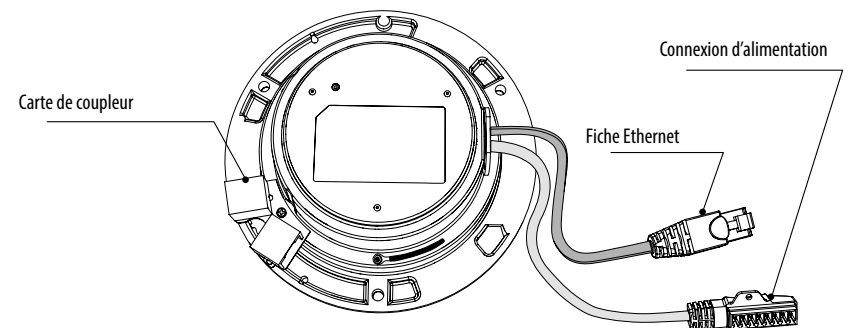
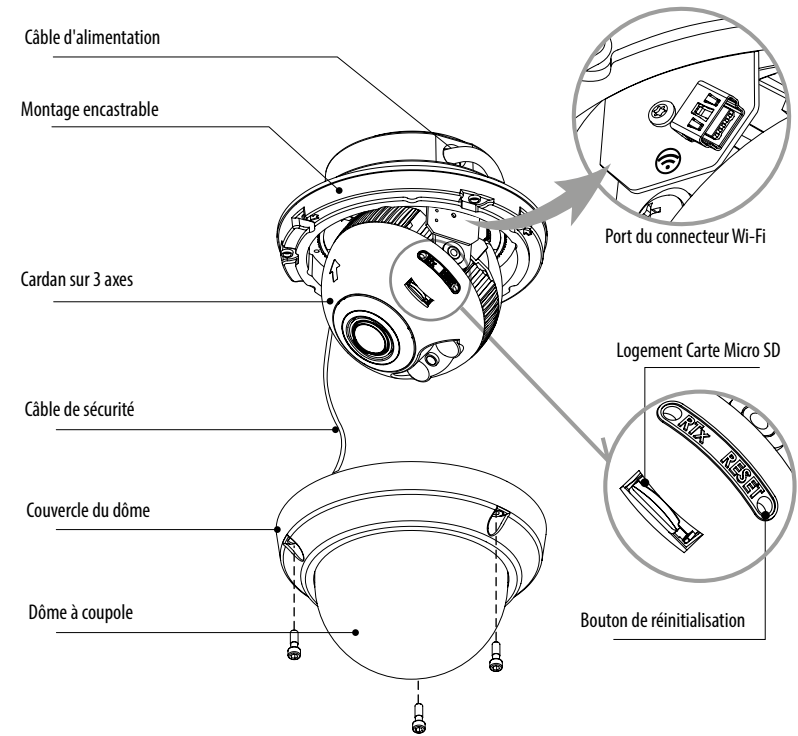
Les points importants sont précédés d'un symbole de notice.

Matériel livré

- Caméra dôme
- Mode d'emploi
- CD
- Étiquette de signalisation du câble
- Gabarit de perçage
- Chevilles en plastique : 6 x 30mm (3x)
- Vis de montage : 4 x 30mm (3x)
- Vis de fixation du connecteur : 2,5 x 5 mm (1x)
- Clé Torx : 3 mm (1x)
- Connecteur de câblage : (1x)



Noms des pièces



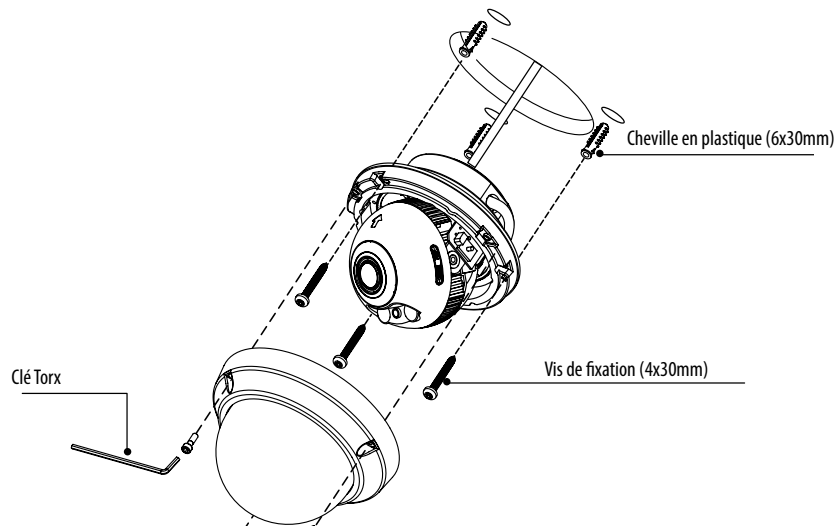
FR

Instructions d'installation



ATTENTION : La base de la caméra doit être fixée à une surface solide, comme du bois dur, un mur, pilier ou poutre au plafond apte à supporter le poids de la caméra dôme. Si nécessaire, utiliser un matériel de fixation (ancrages) plus adéquat au lieu du matériel fourni avec la caméra.

1. Localisez le gabarit de perçage à la position d'installation et percez le plafond ou le mur.
2. Enlever le couvercle du dôme en desserrant les vis (4 x 12 mm). Utiliser la clé dynamométrique fournie.
- Placer la base du dôme à la position prépercée et la fixer à l'aide des vis de montage (4 x 30 mm).
- Guider les câbles Ethernet et d'alimentation vers le lieu de connexion.
3. Brancher le câble d'alimentation du dôme.
4. Réglage de l'angle de vision de la caméra.
5. Si nécessaire, connectez le dongle Wi-Fi au port du connecteur Wi-Fi de la caméra, puis effectuez le réglage du zoom / de la mise au point par le menu Web.
6. Retirez le dongle Wi-Fi après avoir effectué les réglages.
7. Poser le couvercle du dôme sur la base et serrer les vis de montage.



Accessoires de montage disponibles en option

Pour plus d'informations concernant les accessoires de montage, visitez le site Internet d'eneo sous www.eneo-security.com.

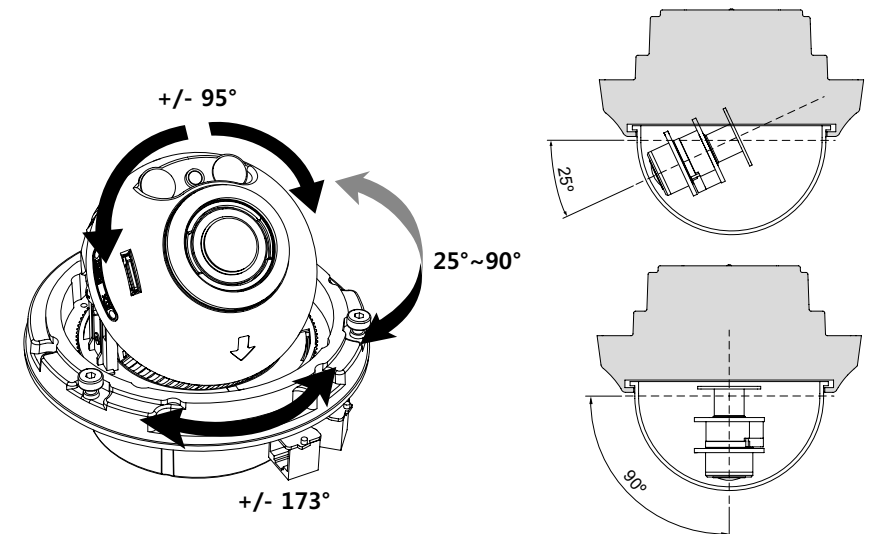


ATTENTION : dans le cas d'une installation encastrée / en surface / inclinée, l'indice de protection IP n'est pas garantie. Si les connecteurs d'alimentation / vidéo sont exposés à l'eau ou à la pluie, un écran de protection séparé est essentiel.

FR

Réglages Panoramique/Inclinaisons

1. Limite de panoramique : Le panoramique est limité à +/- 173°. Ne forcez PAS la rotation du cadran au-delà de la limite pour éviter des dommages internes.
2. Limite d'inclinaison : l'inclinaison est limitée à une fourchette de 25° min ~ 90° max. pour une installation murale (au plafond) par rapport au plafond lorsque l'inclinaison du module caméra est à 0°, c'est-à-dire lorsque l'image est alignée horizontalement.
3. Limite de rotation (alignement horizontal de l'image) : inclinaison limitée à +/- 95° max.



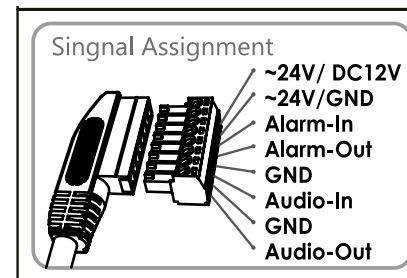


ATTENTION :

Il faudra veiller à ne pas érafler la surface de la coupole lors de l'installation ou le réglage de la caméra.

Veillez à ne PAS endommager, déformer ou exposer le câble dans une zone dangereuse.

Les vis de fixation du couvercle du dôme doivent être serrées de sorte qu'il n'y ait aucune lacune entre le couvercle de l'objectif et la coupole afin de prévenir l'infiltration de lumière des IR LED.



FR

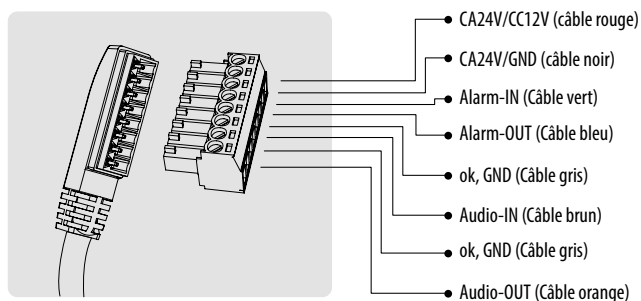
Apposer l'étiquette de l'affectation de signal en un lieu visible pour référence de câblage.

Connexions d'alimentation

Assurez-vous que l'alimentation secteur est déconnectée avant l'installation. La caméra peut fonctionner en 24 V CA ou en 12 V CC ainsi qu'avec une alimentation bitension et par PoE (IEEE Std. 802.3af). Les mises à la terre primaire et secondaire sont complètement isolées pour éviter les éventuels problèmes de boucle de masse.

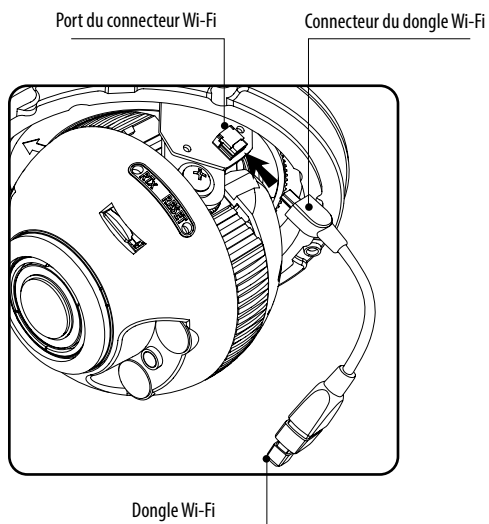
1. Brancher le câble réseau dans la prise RJ-45 Ethernet. Quand le PoE est l'unique source d'alimentation, il n'est pas nécessaire de connecter le terminal de courant.
2. Si un courant CC 12 V ou CA 24 V local est requis, connectez d'abord le connecteur basse tension (CC 12 V ou CA 24 V), puis l'adaptateur CA aux sorties de courant alternatif afin d'éviter une réinitialisation inopportune due à une instabilité de l'alimentation et des dommages en cas de surtension sans charge.

i Quand le PoE et la l'alimentation en bitension sont connectés simultanément, le courant local est prioritaire.



Méthode d'accès via le réseau Wi-Fi

1. Branchez le dongle Wi-Fi dans le connecteur du dongle Wi-Fi.
2. Branchez le connecteur du dongle Wi-Fi dans le port du connecteur Wi-Fi de la



3. Accédez au menu de configuration Wi-Fi sur votre téléphone portable ou votre



tablette.

4. Recherchez le réseau Wi-Fi généré par la caméra et connectez-vous à ce dernier.



- i** Le mot de passe est l'adresse MAC de la caméra. Vérifiez l'étiquette d'adresse MAC sur la caméra !
5. Ouvrez le navigateur Web et accédez à l'adresse 192.168.125.1 (adresse IP par défaut pour Wi-Fi). La page de connexion s'ouvrira alors. Entrez le nom d'utilisateur par défaut (admin) et le mot de passe (admin).

i L'accès Wi-Fi sert uniquement à faciliter l'installation et le service. Veuillez noter que la caméra ne peut pas fonctionner via le réseau Wi-Fi.

i Le connecteur du dongle Wi-Fi et le dongle Wi-Fi ne sont pas inclus la livraison de la caméra.

Configuration rapide du réseau

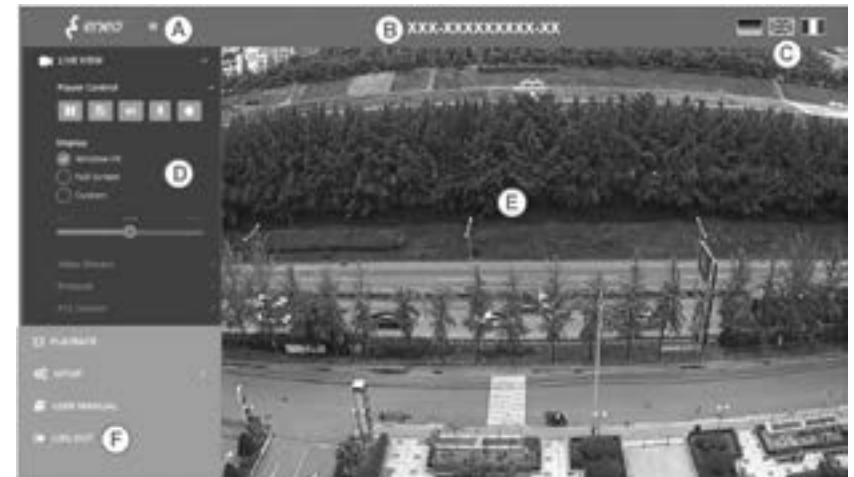
1. Après avoir connecté la caméra au réseau, démarrez l'outil de balayage 'eneo Scan Device' (CD inclus).
2. Utilisez le bouton 'Scan eneo' (Balayer) pour trouver la caméra dans votre réseau.
3. La caméra est réglée par défaut sur DHCP. S'il n'y a aucun serveur DHCP présent dans le réseau, la caméra vous renverra une adresse IP par défaut au bout d'un certain temps. Dans ce cas, veuillez n'ajouter qu'une seule caméra à la fois au réseau afin d'éviter les conflits dus à des adresses IP identiques.
L'adresse IP par défaut de la caméra réseau est : **192.168.1.10**.
4. Cliquez avec la touche droite de la souris sur le nom de l'appareil dans le dispositif de balayage eneo (eneo Scan Device) pour faire apparaître le menu contextuel. Utilisez l'option 'Open Device Web Site' pour accéder à la caméra.
5. La page de connexion de la visionneuse web (Web viewer) s'ouvrira dans votre navigateur par défaut.
Si vous disposez de Microsoft Internet Explorer, installez l'ActiveX nommé VIDEOR E. Hartig GmbH selon les instructions figurant au bas du navigateur.
6. Utilisez le nom de l'utilisateur et le mot de passe par défaut pour vous connecter.

Nom d'utilisateur par défaut : admin

Mot de passe par défaut : admin



Description de la visionneuse web (Web viewer)



- (A) Bouton Menu : cliquez sur le bouton pour afficher ou masquer la barre de menu de configuration.
- (B) Nom du modèle : afficher un nom de modèle de caméra connecté.
- (C) Sélectionner une langue : définir la langue de visionneuse web anglais, allemand ou français.
- (D) Barre de menu de configuration principal : permet le paramétrage des fonctions de la caméra ou du réseau.
- (E) Fenêtre de surveillance de la caméra : permet d'afficher la vue ou la fonction de la caméra actuellement connectée.
- (F) Se déconnecter et quitter la visionneuse web (Web viewer)

Commande du lecteur & affichage



- (1) Pause : interrompt l'affichage en direct.

- (2) Snapshot (Instantané) : capture l'image au format .jpg avec la résolution du flux actuel.
- (3) Speaker (Haut-parleur) : permet la sortie du signal audio au port de sortie audio.
- (4) Microphone : permet d'entrer le signal audio à partir du port d'entrée audio.
- (5) Record (Enregistrement) : enregistre la vidéo en direct en format H.264 sur la mémoire de stockage équipée comme SD, SDHC ou SDXC à partir du flux vidéo sélectionné dans le menu RECORD.
- (6) Window Fit (Remplir la fenêtre) : affiche la page Life View (affichage en direct) pour régler la taille de la fenêtre d'affichage.
- (7) Full Screen (Plein écran) : redimensionne l'affichage de la vue en direct pour l'adapter à la résolution du moniteur. La touche ESC permet de revenir à la vue précédente.
- (8) Custom (Personnalisé) : sélectionne l'échelle d'affichage de la vue en direct, 0% ~ 200%, via la barre de commande. 100% correspond à la taille originale.

Commande PTZ



Utilisé pour ajuster manuellement le zoom/focus ou effectuer une mise au point automatiquement par simple pression.

- Zoom : contrôle le zoom optique avant / arrière de l'objectif pour WIDE & TELE.
- Focus (Mise au point) : ajuste manuellement la mise au point de l'objectif pour NEAR & FAR.
- Push AF : permet la mise au point de l'objectif en appuyant sur un bouton.



i Remarque :

- ZOOM, FOCUS & PUSH AF sont désactivés lorsque la commande PTZ est verrouillée.
- La commande PTZ peut être déverrouillée dans le chemin de menu Setup>Video&Image>Image>AF>Lens Locking (Configuration>Video&Image>AF>Verrouillage de l'objectif) sur OFF ou TIMER.



ATTENTION :

- Réglez la fonction LENS LOCKING (Verrouillage de l'objectif) dans le chemin de menu Setup>Video&Image>Image>AF>Lens Locking (Configuration>Video&Image>Image>AF>Verrouillage de l'objectif) sur ON ou TIMER, après avoir terminé le réglage de l'objectif pour éviter un fonctionnement indésirable des lentilles.
- Ne pas ajuster le zoom / la mise au point dans des conditions de faible luminosité ou nocturnes. Cela pourrait causer une erreur de mise au point.
- Pour les versions V / F, la fonction Zoom / Focus est fortement recommandée uniquement pour l'installation. Les réglages fréquents du zoom / de la mise au point peuvent réduire la durée de vie de l'objectif.

FR

Manuel de l'utilisateur

Aide sur la fonction du menu. Cliquez sur la page contenant la description du menu en



cours pour l'afficher.

Tableau du menu Configuration

Catégorie	Menu	Configuration			
LIVE VIEW (Affichage en direct)	Commande du lecteur	Pause, instantané, haut-parleur, microphone, enregistrer			
		Afficher (Ajustement de la fenêtre, Plein écran, Personnalisé)			
	Flux vidéo	Stream1, Stream2, Stream3			
	Protocole	HTTP, TCP, UDP			
	Commande PTZ	Zoom, Focus, Push AF			
PLAYBACK (Lecture)	Recherche par évènement, recherche chronologique, barre temporelle				
CONFIGURATION	Information	Généralités, informations Open source			
		Source			
	Video & Image	Image	Stream1 / 2/3, Instantané		
			Basic	Luminosité, contraste, saturation, teinte, netteté, activer le pivotement d'image, activer l'image miroir	
			OSD	Activer le texte OSD, activer la date & l'heure OSD, activer le zoom & focus OSD, mode	
			AE	Mode, Obturateur, Fermeture max., Gain, Gain maximal, Iris automatique, Éclairage anti-scintillement automatique	
			AWB	Mode, gain Cb, gain Cr	
			AF	Mode, Vitesse, Verrouillage de l'objectif, Minuterie de verrouillage, Calibration de l'objectif, Activer la mise au point de synchronisation jour et nuit	
			Jour&Nuit	Mode, temps de commutation, seuil (D->N), seuil (N->D), LED IR de contrôle, IR intelligent	
			WDR	WDR (mode, niveau), anti-buée (mode)	
			BLC	BLC (mode, niveau), HLC (mode)	
			DNR	2DNR(mode, niveau), 3DNR(mode, niveau)	
			LDC	Mode, niveau, ligne de démarcation	
			Vue verticale	Mode, Rotation	
			Zones privées	Couleur, Nom	
			Zoom numérique	Niveau	
			Audio	Compression, fréquence d'échantillonnage, débit binaire, volume d'entrée, volume de sortie	

CONFIGURATION	Enregistrement	Enregistrement	Écraser lorsque le disque est plein, paramètres d'enregistrement continu
		Programmation	
		Stockage	Formater, supprimer, stocker des informations
	Évènement	Déclencheurs	Motion, VCA, Manipulation, Alarme, Système, Manuel, Réseau, Minuterie, Jour / Nuit
		Actions	Enregistrement, Sortie d'alarme, E-mail, FTP, Optimisation vidéo, Serveur de notification
		Règles	Traitement d'évènement, mappage ONVIF
	Système	Sécurité	Utilisateur, HTTPS, Filtre IP, ONVIF, Flux vidéo, Exportation / Importation
		Date & heure	Heure actuelle, nouvelle heure, fuseau horaire, affichage date & heure
		Réseau	TCP / IP, DDNS, RTP, UPnP, Zeroconf, Bonjour, Wi-Fi
		Langue	Anglais, Allemand, Français, Polonais, Finnois, Coréen
		Maintenance	Maintenir (Redémarrer, Réinitialiser, Par défaut), Mise à niveau, Exportation de configuration, Importation de configuration
		Fichier-journal & rapport	Logs (Capacité de la base de données, État de la recherche, Liste de connexion), Rapport
	Manuel de l'utilisateur		
DÉCONNEXION			

FR

Configuration rapide

Information

Affiche les informations générales sur le système telles que le nom du modèle, l'adresse MAC, l'adresse IP, Zeroconf, l'adresse IP, la version du micro-programme, l'heure du serveur, le temps de fonctionnement, l'utilisation du processeur, la bande passante entrante / sortante et la liste des sources libres.



Utilisateurs

Gère les comptes utilisateurs sous des noms, des groupes et des autorités.

- Marquez ENABLE ANONYMOUS VIEWR LOGIN si quelqu'un est autorisé à se connecter de manière anonyme. L'accès au menu SETUP avec l'ouverture d'une session anonyme va se fermer et nécessiter une connexion à l'aide d'un ID et d'un mot de passe.
- > USERS (UTILISATEURS) : peut être ajouté, modifié ou supprimé.



Cliquez sur le bouton Add (Ajouter), Modify (Modifier) ou Remove (Supprimer) pour gérer le compte utilisateur.

Ajouter

Pour ajouter un nouvel utilisateur :

1. Cliquez sur l'onglet Add (Ajouter) et tapez un nouveau nom d'utilisateur. (1 à 14 caractères alphanumériques). Les noms d'utilisateur ne sont pas sensibles à la casse.
2. Entrez un mot de passe et retapez-le dans Confirmer le mot de passe. (1 à 8 caractères alphanumériques). Les mots de passe sont sensibles à la casse.
3. Sélectionnez l'un des groupes que vous souhaitez affecter à l'utilisateur.
4. Cliquez sur le bouton OK pour sauvegarder les paramètres et ajoutez un nouvel utilisateur.



Éditer

Pour modifier un utilisateur :

1. Sélectionnez l'un des noms d'utilisateur que vous souhaitez modifier dans la liste d'utilisateurs (User List).
2. Cliquez sur l'onglet Edit (Éditer) ; une nouvelle fenêtre pop-up s'affiche alors.
3. Entrez un mot de passe (1 à 8 caractères alphanumériques) et retapez-le dans Confirmer le mot de passe. **Le nom d'utilisateur ne peut être modifié.**
4. Sélectionnez l'un des groupes que vous souhaitez affecter à l'utilisateur.
5. Cliquez sur le bouton OK pour sauvegarder les paramètres et modifier un nouvel utilisateur.

Supprimer

Pour supprimer un utilisateur :

1. Sélectionnez l'un des noms d'utilisateur à supprimer dans la liste d'utilisateurs.
2. Cliquez sur l'onglet Delete (supprimer). Une boîte de dialogue apparaît avec un message de confirmation.
3. Cliquez sur le bouton OK. Le profil de l'utilisateur est supprimé du profil de la liste d'utilisateurs.

Date & heure

Heure actuelle

Indique la date et l'heure actuelles. Un clic sur SAUVEGARDER permet de mettre à jour et d'enregistrer la date et l'heure avec l'heure sélectionnée dans NEW TIME.

Nouvelle heure

Sélectionnez l'une des heures du serveur.

- Synchronize with computer time (Synchroniser avec l'heure de l'ordinateur) : obtient l'heure de l'ordinateur.
- Set manually (Définir manuellement) : définit manuellement la date et l'heure.
- Synchronize with NTP Server (Synchroniser avec le serveur NTP) : obtient l'heure du serveur NTP affecté à chaque heure dans INTERVAL. L'adresse IP ou le nom d'hôte du serveur NTP doit être spécifié dans le serveur de temps.

Fuseau horaire

Sélectionnez le fuseau horaire à référencer sur le serveur NTP où la caméra est installée. Marquer la case à cocher AUTOMATICALLY ADJUST FOR DAYLIGHT SAVING CHANGES pour mettre à jour automatiquement l'heure d'été

Affichage du jour et de l'heure

Sélectionnez les formats de date et d'heure à afficher.



Réseau

Le serveur DHCP (Protocole de configuration dynamique de l'hôte) dispose d'une fonction affectant automatiquement une adresse IP à un dispositif, si ce dernier se trouve le réseau.

Adresse IPv4

Obtenir l'adresse IP via le serveur DHCP :

Obtient l'adresse IP attribuée par le serveur DHCP (Dynamic Host Configuration Protocol).

Statut :

'Allocated' montre que l'adresse IP est obtenue auprès du DHCP.

Adresse IP, Masque de sous-réseau, Passerelle :

Affiche l'adresse IP actuelle qui est obtenue à partir du DHCP

Utiliser l'adresse IP suivante :

Cochez la case si vous souhaitez affecter l'adresse IP manuellement.



FR

Adresse IPv6

Marquez la case à cocher ENABLE pour utiliser l'adresse IPv6 et cliquez sur le bouton SAVE (Sauvegarde) pour obtenir une nouvelle adresse IPv6.

DNS

Obtenir l'adresse DNS via DHCP :

Obtient l'adresse DNS automatiquement attribuée par le serveur DHCP.

Utiliser l'adresse DNS suivante :

Nécessite une entrée manuelle comme indiqué ci-dessous.

- DOMAIN NAME (Nom du domaine) : entrez le domaine pour le nom d'hôte
- PRIMARY DNS SERVER : entrez l'adresse IP du serveur DNS principal.
- SERVEUR DNS SECONDAIRE : entrez l'adresse IP du serveur DNS secondaire.

Complément d'information

Assurez-vous de toujours être à jour grâce à la dernière version du progiciel disponible depuis le site d'eneo sous www.eneo-security.com pour recevoir les dernières fonctionnalités de votre produit.

Le manuel utilisateur et d'autres outils logiciels sont disponibles sur le site web eneo www.eneo-security.com ou sur le CD joint.

Des informations concernant les solutions logicielles de gestion vidéo compatibles sont disponibles dans la catégorie Videomanagement (gestion des vidéos) sur www.eneo-security.com.

Logiciel Open source

Le logiciel inclus dans ce produit est protégé par des droits d'auteur et fait l'objet de licences Open source.

Vous pouvez obtenir le code source complet correspondant auprès d'eneo pour une période de 3 ans à compter de la dernière livraison de ce produit en envoyant un courriel à : opensource@eneo-security.com.

Si vous souhaitez obtenir le code source complet correspondant avec un support physique tel qu'un CD-ROM par exemple, le coût afférant à la distribution d'une copie de la source sur support physique pourrait vous être facturé.

Pour obtenir plus de détails sur les logiciels Open source, veuillez consulter le site Internet www.eneo-security.com ou un CD éventuellement fourni.

Indice

Parti fornite	76
Denominazione dei componenti	77
Istruzioni per l'installazione	78
Regolazione della panoramica e dell'inclinazione.....	79
Collegamento all'alimentazione.....	80
Come accedere tramite Wi-Fi	82
Configurazione rapida della rete	84
Descrizione del visualizzatore Web	85
Controllo del lettore e display	85
Controllo PTZ.....	86
Manuale utente	87
Tabella del menu di impostazione.....	88
Configurazione rapida	90
Informazioni	90
Utenti	90
Add (Aggiungi)	91
Edit (Modifica)	92
Delete (Elimina).....	92
Date & Time	92
Current Time (Ora corrente).....	92
New Time (Nuova ora)	92
Time Zone (Fuso orario).....	93
Day & Time Display (Visualizzazione data e ora).....	93
Network.....	93
Indirizzo IPv4	94
Indirizzo IPv6	94
DNS	94
Altre informazioni	96

Istruzioni per la sicurezza

Istruzioni generali per la sicurezza

- Prima di collegare e mettere in funzione il sistema, leggete le istruzioni per la sicurezza e le istruzioni per l'uso.
- Conservate con cura le istruzioni per l'uso per un eventuale utilizzo futuro.
- Il montaggio, la messa in funzione e la manutenzione del sistema sono da eseguirsi solo da persone autorizzate e seguendo le relative istruzioni per l'installazione - nell'osservanza di tutte le norme e direttive parimenti applicabili.
- Proteggere le apparecchiature da infiltrazioni d'acqua ed umidità, si potrebbero provocare dei danni permanenti.
- Nel caso si sia comunque infiltrata dell'acqua, non accendere in nessun caso l'apparecchio in tali condizioni, ma portarlo per un controllo presso un centro di assistenza tecnica autorizzato.
- Il sistema non deve mai essere usato al di sopra delle sue capacità essendoci il rischio di distruzione.
- L'apparecchio deve essere protetto da elevati calori, dalla polvere e dalle vibrazioni.
- Per staccare la tensione di alimentazione dal sistema, estraete il cavo di alimentazione solo dalla spina. Mai estrarre direttamente sul cavo.
- Posate il cavo con cura assicurandovi che il medesimo non subisca sollecitazioni meccaniche, non venga piegato o danneggiato e non possa entrare umidità.
- Nel caso si verificano guasti funzionali, informate il Vostro fornitore.
- La manutenzione e le riparazioni possono essere eseguite solo da personale tecnico autorizzato.
- Prima di aprire la scatola è necessario staccare l'alimentazione di rete.
- L'apparecchio può essere aperto esclusivamente da personale qualificato dell'Assistenza. Eventuali interventi effettuati da persone non autorizzate fanno decadere la garanzia.
- I cavi di collegamento dovrebbero sempre essere sostituiti esclusivamente da Videor E. Hartig GmbH.
- Usare esclusivamente parti di ricambio ed accessori originali della E. Hartig GmbH.
- Per la pulizia della scatola usare sempre prodotti non abrasivi. Mai usare diluenti o benzina, in quanto si rischia di causare un danneggiamento permanente della superficie.
- Al montaggio si deve sistematicamente controllare che le guarnizioni presenti vengano correttamente disposte e che non vengano spostate. Le guarnizioni danneggiate non devono più essere montate; annullano la garanzia.
- L'installatore è tenuto responsabile per il mantenimento del tipo di protezione secondo dati tecnici, ad es.: attraverso la sigillatura con silicone dell'uscita cavo.
- In caso di accorciamento del cavo flessibile di collegamento usare boccole terminali.
- Gli apparecchi possono funzionare solo entro i limiti di temperatura indicati nei dati tecnici e all'umidità ambiente definita.

Istruzioni per la sicurezza del prodotto

- La telecamera non deve mai essere puntata direttamente verso il sole con il diaframma aperto (distruzione del sensore).
- È inevitabile che nel corso della fabbricazione e, in una certa misura, anche nell'uso successivo, sia presente nella scatola umidità dell'aria ambiente. In caso di forti sbalzi termici si può verificare una formazione di umidità nella scatola.
- Per evitare condensa all'interno della scatola sigillata, il produttore ha inserito bustine di gel di silice nella scatola dei vari tipi di telecamera.
- Tuttavia, per via delle leggi fisiche, dopo un determinato periodo di tempo queste bustine di gel di silice raggiungeranno la saturazione. Occorre pertanto sostituire la bustina di gel di silice con una nuova.
- Durante l'installazione, è essenziale verificare che le guarnizioni fornite siano installate correttamente e che non si spostino durante l'installazione. Le guarnizioni danneggiate non devono più essere montate; annullano la garanzia.
- In prossimità del proiettore IR si deve installare un separatore multipolare facilmente accessibile per scollegare il dispositivo dall'alimentazione per eseguire interventi di assistenza.
- La messa a terra deve essere realizzata conformemente ai requisiti di bassa impedenza indicati nella norma DIN VDE 0100.
- La successiva verniciatura della superficie dell'apparecchiatura può compromettere il funzionamento.
- Qualsiasi diritto di garanzia viene invalidato dalla successiva verniciatura.

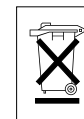
- Deve essere mantenuto un margine di sicurezza di > 1 m dal proiettore se si guarda direttamente nel proiettore IR in un ambiente buio.
- Non guardare direttamente le radiazioni LED invisibili utilizzando strumenti ottici (ad es. lente, lente di ingrandimento o microscopio) per prevenire danni agli occhi (LED classe 1M).
- È vietato il funzionamento del proiettore IR con copertura difettosa oppure in caso di riparazione.

Nota sui dispositivi di classe A

Questo è un apparecchio di classe A. Questo dispositivo può provocare malfunzionamenti nella abitazioni; in questo caso l'operatore deve intraprendere misure adeguate per prevenirli.

WEEE (Waste Electrical & Electronic Equipment)

Corretto smaltimento del prodotto (da applicare nei Paesi dell'Unione Europea e altri Paesi europei con sistemi di raccolta separato).



Il contrassegno su prodotto oppure sulla relativa letteratura indica che lo smaltimento al termine della vita utile del prodotto non deve essere effettuato insieme ai normali rifiuti domestici. Effettuate lo smaltimento di questo apparecchio separatamente dagli altri rifiuti al fine di non danneggiare l'ambiente e la salute umana per incontrollato smaltimento di rifiuti. Riciclate l'apparecchio per promuovere il continuo riutilizzo di risorse materiali. Gli utenti privati devono contattare i Venditori, presso i quali è stato acquistato il prodotto, oppure le competenti Autorità per sapere come potere riciclare il prodotto in modo ecologico. Gli utenti industriali devono rivolgersi ai loro fornitori per consultare le condizioni del contratto di acquisto. Questo prodotto

non deve essere smaltito insieme ad altri rifiuti industriali.

Simboli grafici

Prima dell'uso prestare attenzione alle istruzioni per la sicurezza e leggere attentamente e per intero il presente manuale di istruzioni.



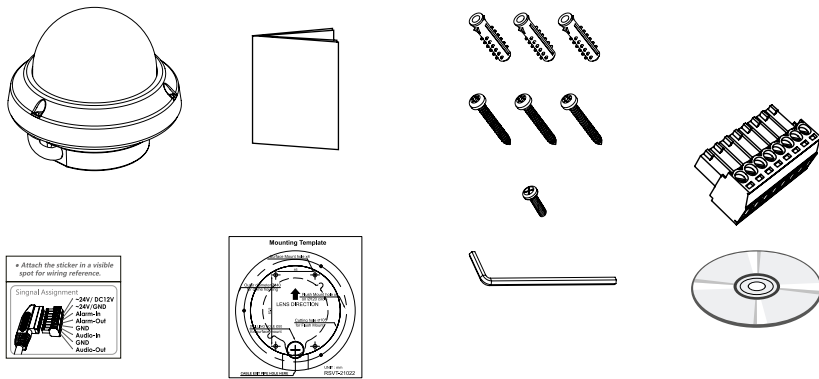
I punti importanti con gli avvisi sono contrassegnati con un simbolo di attenzione.



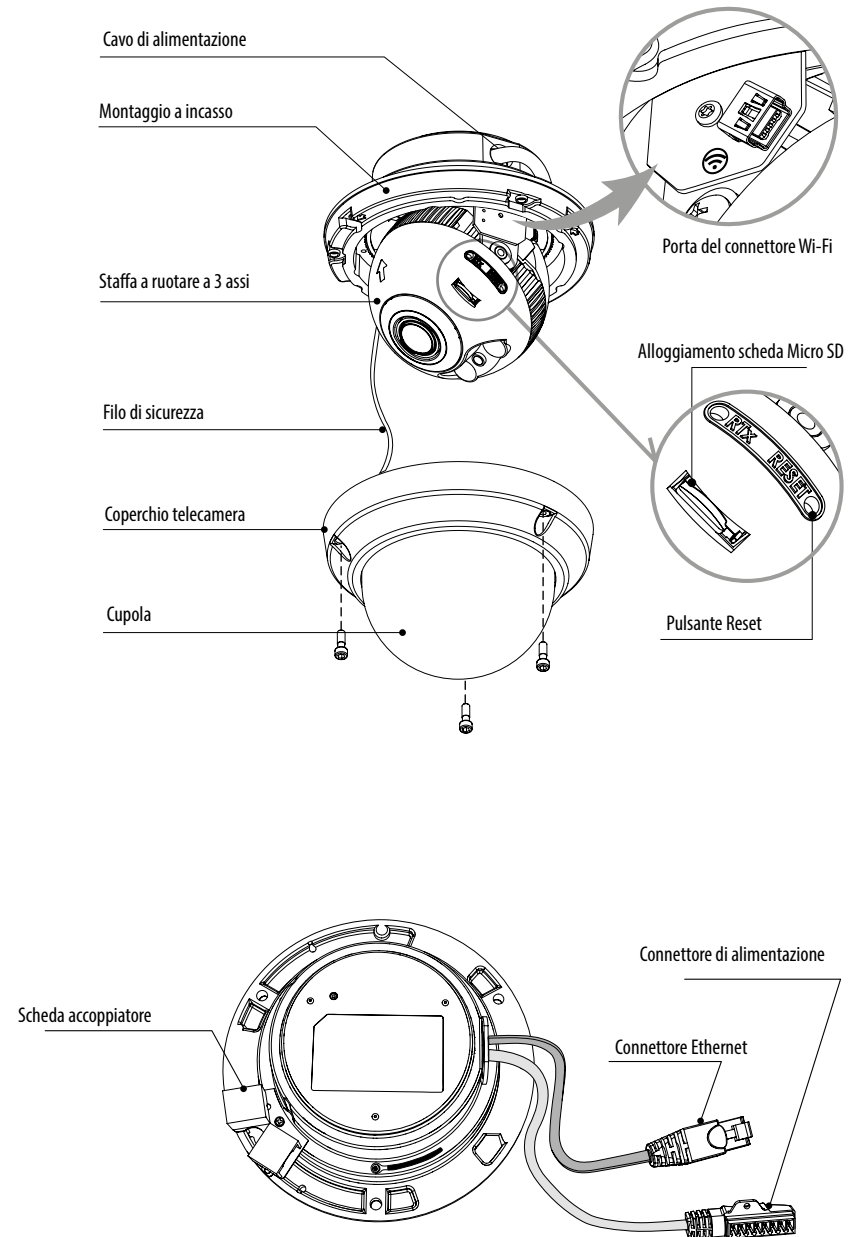
I punti importanti con i consigli sono contrassegnati con un simbolo di nota.

Parti fornite

- Telecamera dome
- Istruzioni per l'uso
- CD
- Adesivo identificazione cavi
- Dima di montaggio
- Tasselli di plastica: 6 x 30 mm (3x)
- Viti di montaggio: 4 x 30 mm (3x)
- Vite di fissaggio connettore: 2,5 x 5 mm (1x)
- Chiave a bussola: 3 mm (1x)
- Connettore cablaggio (1x)



Denominazione dei componenti

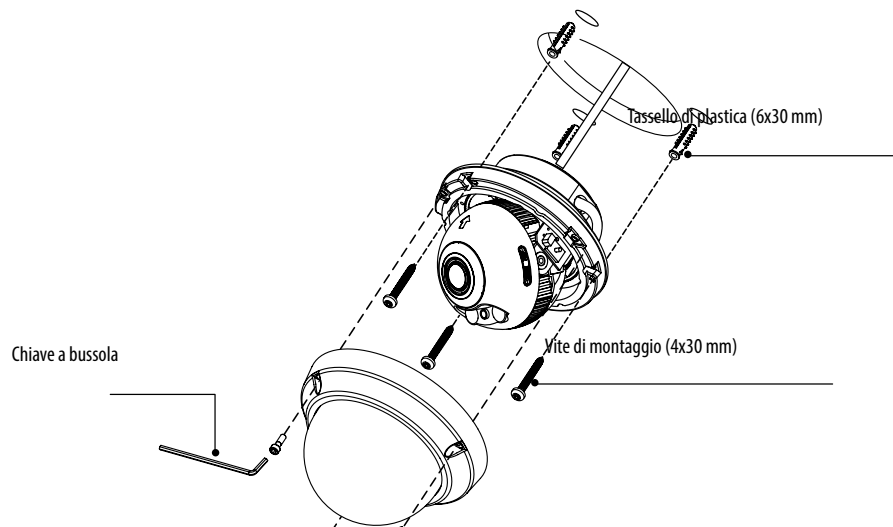


Istruzioni per l'installazione



CAUTION: The camera's base should be attached to a structural object, such as concrete, hard wood, wall stud or ceiling rafter that supports the weight of the camera. Se necessario utilizzare materiale di montaggio adatto (ad es. tasselli) al posto del materiale fornito con la telecamera.

1. Posizionare la dima di montaggio nel punto di installazione e creare i fori nel soffitto o nella parete.
2. Aprire il coperchio della telecamera svitando le viti (4x12 mm). Utilizzare la chiave a bussola fornita.
- Disporre la base della telecamera in corrispondenza dei fori e fissarla utilizzando le viti di montaggio (4x30 mm).
- Collegare il cavo Ethernet e il cavo di alimentazione al relativo collegamento.
3. Collegare il cavo della telecamera dome al cavo di alimentazione.
4. Impostare l'angolo di visualizzazione della telecamera.
5. Se necessario, collegare il dongle Wi-Fi alla porta del connettore Wi-Fi della telecamera e regolare l'impostazione zoom / fuoco dal menu web.
6. Rimuovere il dongle Wi-Fi dopo aver completato le impostazioni.
7. Collocare il coperchio della telecamera sulla base e serrare le viti di fissaggio.



Accessori di montaggio opzionali

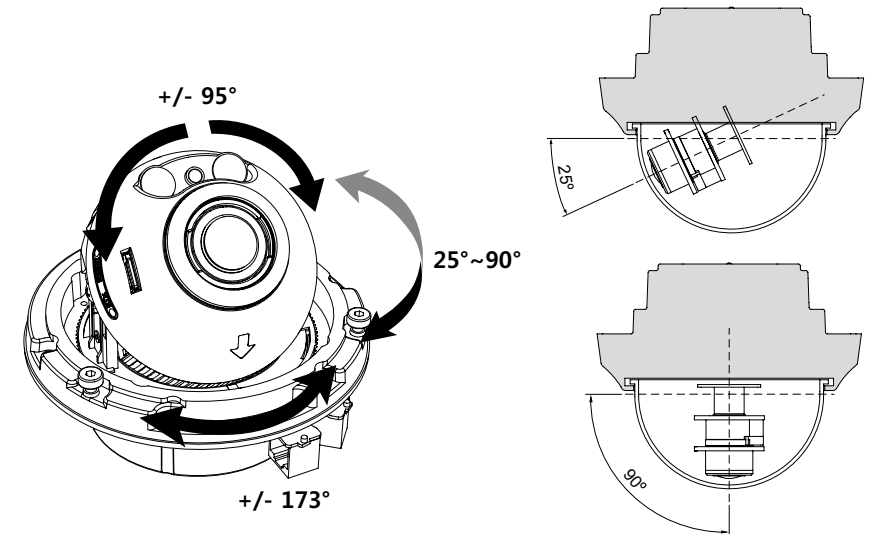
Per informazioni sugli accessori di montaggio opzionali visitare il sito web eneo all'indirizzo www.eneo-security.com.



ATTENZIONE: in caso di montaggio a incasso / a muro / inclinato, la protezione IP non è garantita. Se i connettori di alimentazione / video sono esposti ad acqua o pioggia, è essenziale uno schermo di protezione separato.

Regolazione della panoramica e dell'inclinazione

1. Limite panoramica: la panoramica è limitata a $\pm 173^\circ$. NON forzare la staffa a ruotare oltre il limite per evitare danni interni.
2. Limite inclinazione: l'inclinazione è limitata a 25° min $\sim 90^\circ$ max. rispetto al soffitto quando l'inclinazione del modulo telecamera è 0° , ossia l'immagine è disposta orizzontalmente.
3. Limite di rotazione (allineamento dell'immagine orizzontale): Inclinazione limitata a $\pm 95^\circ$ max.



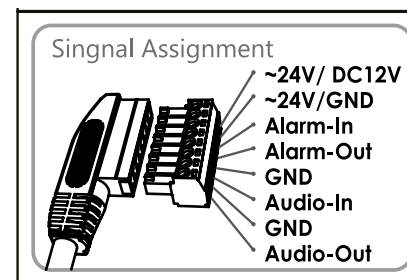


ATTENZIONE:

prestare estrema attenzione a NON graffiare la superficie della cupola durante le operazioni di installazione o regolazione.

Fare attenzione a NON danneggiare, piegare o avvicinare il cavo alla zona di pericolo.

Serrare le viti di fissaggio del coperchio della telecamera in modo che NON vi sia alcuna fessura tra il coperchio dell'obiettivo e la cupola trasparente per evitare riflessi della luce dei LED IR.



Applicare l'adesivo di identificazione dei cavi in un punto visibile.

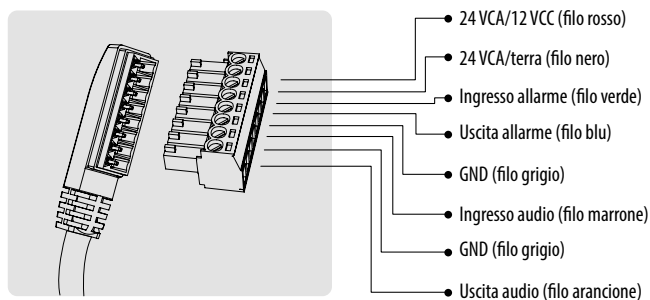
IT

Collegamento all'alimentazione

Assicurarsi che l'alimentazione sia scollegata prima di procedere all'installazione. La telecamera può essere alimentata a 24 VCA oppure 12 VCC, alimentazione a doppia tensione e PoE (IEEE Std. 802.3af). La messa a terra primaria e quella secondaria sono completamente isolate per evitare problemi di loop di messa a terra.

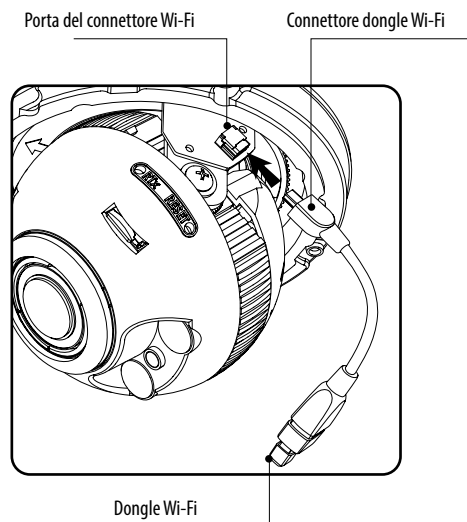
1. Inserire il cavo di rete nella porta Ethernet RJ-45. Se PoE è l'unica alimentazione non sarà necessario collegare il terminale di alimentazione.
2. Se è necessaria l'alimentazione locale 12 VCC o 24 VCA, prima collegare la bassa tensione (12 VCC o 24 VCA), quindi collegare l'adattatore CA alle prese CA per evitare reset errati dovuti a oscillazioni di tensione e danni provocati da sovratensione (a causa dell'assenza di carico).

i Se PoE e l'alimentazione doppia locale vengono collegati contemporaneamente, l'alimentazione locale ha la priorità.



Come accedere tramite Wi-Fi

1. Inserire il dongle Wi-Fi nel connettore del dongle Wi-Fi.
2. Inserire il connettore del dongle Wi-Fi nella porta del connettore Wi-Fi sulla



- telecamera.
3. Accedere al menu di configurazione Wi-Fi sul cellulare o tablet.



4. Cercare e connettersi al Wi-Fi generato dalla telecamera.



i La password è l'indirizzo MAC della telecamera. Controllare l'etichetta dell'indirizzo MAC sulla telecamera!

5. Aprire il browser web e accedere a 192.168.125.1 (indirizzo IP predefinito per Wi-Fi). Si apre la pagina di accesso. Immettere il nome utente predefinito (admin) e la password (admin).

i L'accesso Wi-Fi serve solo per facilitare l'installazione e l'assistenza. Tenere presente che la telecamera non può funzionare tramite Wi-Fi.

i Il connettore dongle Wi-Fi e il dongle Wi-Fi non sono inclusi in questo pacchetto della fotocamera.

Configurazione rapida della rete

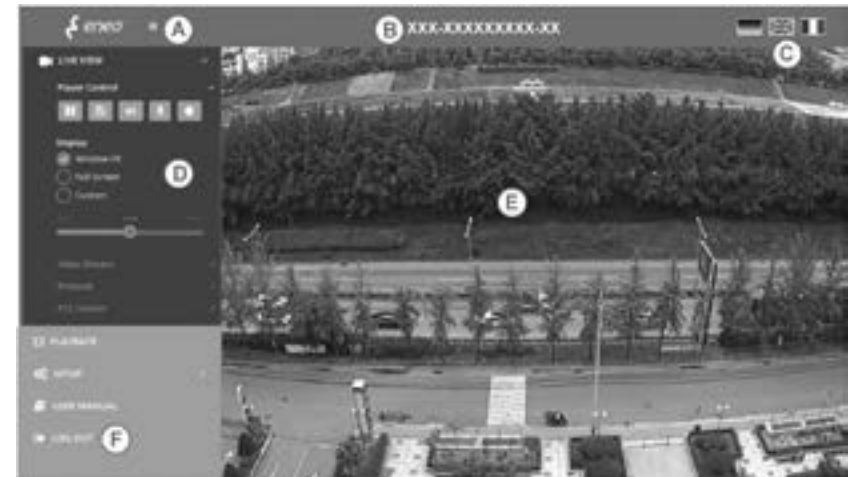
1. Dopo aver collegato la telecamera alla rete, avviare lo strumento "eneo Scan Device" (CD fornito).
2. Use the 'Scan eneo' button to find the camera in your network.
3. Per impostazione predefinita la telecamera è impostata su DHCP. Se nella rete non è presente un server DHCP, dopo qualche istante la telecamera torna all'indirizzo IP predefinito. In questo scenario si invita ad aggiungere alla rete una sola telecamera per volta per evitare conflitti dovuti a indirizzi IP identici. L'indirizzo IP predefinito della telecamera di rete è: **192.168.1.10**.
4. Facendo clic con il tasto destro del mouse sul nome del dispositivo nello strumento eneo Scan Device si apre il menu di scelta rapida. Utilizzare l'opzione "Open Device Web Site" per accedere alla telecamera.
5. Si apre la pagina di accesso al visualizzatore Web nel browser predefinito. Nel caso di Microsoft Internet Explorer, installare l'Active-X denominato VIDEOR E. Hartig GmbH seguendo le istruzioni riportate nella parte inferiore del browser.
6. Utilizzare il nome utente e la password predefiniti per eseguire l'accesso.

Nome utente predefinito: admin

Password predefinita: admin

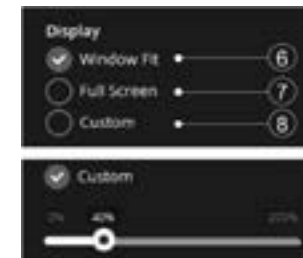
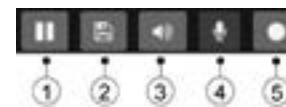


Descrizione del visualizzatore Web



- (A) Pulsante Menu: fare clic sul pulsante per visualizzare o nascondere la barra del menu di impostazione.
- (B) Model name (Nome modello): mostra il nome del modello di telecamera collegato.
- (C) Select Language (Seleziona lingua): imposta la lingua del visualizzatore Web (inglese, tedesco o francese).
- (D) Barra del menu di impostazione principale: imposta le funzioni della telecamera o della rete.
- (E) Finestra di monitoraggio della telecamera: mostra la vista o la funzione della telecamera correntemente collegata.
- (F) Chiudere la sessione e uscire dal visualizzatore Web.

Controllo del lettore e display



- (1) Pausa: mette in pausa la visualizzazione live.
- (2) Snapshot: cattura l'immagine in formato .jpg con la risoluzione dello stream corrente.
- (3) Altoparlante: consente l'uscita audio alla porta uscita audio.
- (4) Microfono: consente l'ingresso audio dalla porta di ingresso audio.
- (5) Registra: registra il video live in formato H.264 nella memoria presente, come SD, SDHC o SDXC, dallo stream video selezionato nel menu RECORD.
- (6) Window Fit (Adatta alla finestra): mostra la visualizzazione live in base alla dimensione della finestra.
- (7) Full Screen (Schermo intero): ridimensiona la visualizzazione live per adattarla alla risoluzione del monitor. Il tasto ESC torna alla vista precedente.
- (8) Custom (Personalizzato): consente di selezionare la scala di visualizzazione live, 0% ~ 200%, con la barra di controllo. 100% è la dimensione originale.

Controllo PTZ



Utilizzato per regolare lo zoom/la messa a fuoco manualmente o la messa a fuoco one-push automaticamente.

- Zoom: controlla lo zoom ottico avanti / indietro per WIDE e TELE.
- Focus (Messa a fuoco): regola manualmente la messa a fuoco dell'obiettivo per NEAR e FAR.
- Push AF (Messa a fuoco automatica): consente di mettere a fuoco premendo un pulsante.

Avvertenza:

- ZOOM, FOCUS e PUSH AF sono disabilitati quando il controllo PTZ è bloccato.
- Il controllo PTZ può essere sbloccato in Setup>-Video&Image>Image>AF>impostare Lens Locking (Blocco obiettivo) su OFF o TIMER.



ATTENZIONE:

- Impostare LENS LOCKING (Blocco obiettivo) in Setup>-Video&Image>Image>AF>impostare Lens Locking su ON o TIMER dopo aver completato l'impostazione dell'obiettivo per prevenire un funzionamento indesiderato dell'obiettivo.
- Non regolare lo zoom / messa a fuoco in condizioni di scarsa luminosità o in modalità notturna. La messa a fuoco potrebbe essere errata.
- Per le versioni V / F, la funzione Zoom / Focus è fortemente raccomandata solo per l'installazione. Le regolazioni frequenti di zoom / messa a fuoco possono ridurre la durata dell'obiettivo.

IT

Manuale utente

Nel menu Help (Guida), fare clic sulla voce di menu interessata; si apre la pagina con la



descrizione del menu corrente.

Tabella del menu di impostazione

Categoria	Menu	Configurazione		
LIVE VIEW	Player Control	Pause, Snapshot, Speaker, Microphone, Record		
		Display (Window Fit, Full Screen, Custom)		
	Video Stream	Stream1, Stream2, Stream3		
	Protocol	HTTP, TCP, UDP		
	PTZ Control	Zoom, Focus, Push AF		
PLAYBACK	Event Search, Timeline Search, Timeline Bar			
SETUP	Informazioni	General, Open source Information		
		Source		
	Video & Image	Image	Stream1/2/3, Snapshot	
			Basic	Brightness, Contrast, Saturation, Hue, Sharpness, Enable flip image, Enable mirror image
			OSD	Enable text OSD, Enable date&time OSD, Enable zoom&focus OSD, Mode
			AE	Mode, Shutter, Max shutter, Gain, Max gain, Auto iris, Auto flicker-less
			AWB	Mode, Cb Gain, Cr Gain
			AF	Mode, Speed, Lens Locking, Locking Timer, Lens Calibration, Enable Day&Night sync focus
			Day&Night	Mode, Switching time, Threshold (D->N), Threshold (N->D), IR LED Control, Smart IR
			WDR	WDR (Mode, Level), Defog (Mode)
			BLC	BLC (Mode, Level), HLC (Mode)
			DNR	2DNR(Mode, Level), 3DNR(Mode, Level)
			LDC	Mode, Level, Boundary Line
			VerticalView	Mode, Rotation
			Privacy Mask	Color, Name
	Digital Zoom	Level		
	Audio	Compression, Sample rate, Bitrate, Input Volume, Output Volume		

SETUP	Registrazione	Registrazione	Sovrascrittura quando la memoria è piena, registrazione continua
		Schedule	
		Storage	Format, Remove, Storage Information
	Event	Triggers	Motion, VCA, Tamper, Alarm In, System, Manual, Network, Timer, Day/Night
		Actions	Record, Alarm Out, E-Mail, FTP, Video Boost, Notification Server
		Rules	Event Processing, ONVIF Mapping
	System	Security	User, HTTPS, IP Filter, ONVIF, Video Stream, Export/Import
		Date & Time	Current Time, New Time, Time Zone, Date & Time Display
		Network	TCP/IP, DDNS, RTP, UPnP, Zeroconf, Bonjour, Wi-Fi
		Language	English, German, French, Polish, Finnish, Korean
		Manutenzione	Maintain (Restart, Reset, Default), Upgrade, Setup Export, Setup Import
		Log & Report	Logs (Database Capacity, Search Condition, Log List), Report
	MANUALE UTENTE		
LOG OUT			

Configurazione rapida

Informazioni

Visualizza le informazioni generali sul sistema come il nome del modello, l'indirizzo MAC, l'indirizzo IP, l'indirizzo IP Zeroconf, la versione del firmware, l'ora del server, il tempo di esecuzione, l'utilizzo della CPU, la larghezza di banda in entrata / in uscita e l'elenco Open Source.



Utenti

Gestisce gli account utente per nome, gruppo e autorità.

- Selezionare ENABLE ANONYMOUS VIEWR LOGIN (Permetti accesso anonimo) se qualche utente ha il permesso di accedere in modo anonimo. Se si accede al menu SETUP con l'accesso anonimo, occorre uscire e inserire l'ID/password.
- > USERS (Utenti): possono essere aggiunti, modificati o eliminati.



Fare clic sui pulsanti Add (Aggiungi), Edit (Modifica) o "Delete" (Elimina) per gestire l'account utente.

Add (Aggiungi)

Per aggiungere un nuovo utente:

1. Fare clic sulla scheda Add (Aggiungi) e digitare un nuovo nome utente (da 1 a 14 caratteri alfanumerici). I nomi utente non fanno differenza tra maiuscole e minuscole.
2. Digitare una password e ridigitarla per confermarla (da 1 a 8 caratteri alfanumerici). Le password fanno differenza tra maiuscole e minuscole.
3. Selezionare uno dei gruppi da assegnare all'utente.
4. Fare clic sul pulsante OK per salvare le impostazioni e aggiungere un nuovo utente.



Edit (Modifica)

Per modificare un utente:

1. Selezionare il nome utente da modificare dall'elenco degli utenti.
2. Fare clic sulla scheda Edit (Modifica); si apre una nuova finestra popup.
3. Digitare una password (da 1 a 8 caratteri alfanumerici) e ridigitarla per confermarla. **Non è possibile modificare il nome utente.**
4. Selezionare uno dei gruppi da assegnare all'utente.
5. Fare clic sul pulsante OK per salvare le impostazioni e modificare un utente.

Delete (Elimina)

Per eliminare un utente:

1. Selezionare il nome utente da eliminare dall'elenco degli utenti.
2. Fare clic sulla scheda Delete (Elimina). Viene visualizzata una finestra di dialogo con il messaggio di conferma.
3. Fare clic sul pulsante OK. Il profilo utente viene rimosso dall'elenco.

Date & Time

Current Time (Ora corrente)

Indica la data e l'ora corrente. Facendo clic su SALVA si aggiorna e salva la data e l'ora con i valori selezionati in NEW TIME (Nuova data/ora).

New Time (Nuova ora)

Selezionare uno dei seguenti orari del server.

- Synchronize with computer time (Sincronizza con l'ora del computer): ottiene l'ora dal computer.
- Set manually (Imposta manualmente): imposta manualmente la data e l'ora.
- Synchronize with NTP Server (Sincronizza con il server NTP): ottiene l'ora dal server NTP assegnato ad ogni ora in INTERVAL (Intervallo). L'indirizzo IP del server NTP o il nome host deve essere specificato nel server di tempo.

Time Zone (Fuso orario)

Selezionare il fuso orario da utilizzare sul server NTP in cui è installata la telecamera. Selezionare la casella di controllo AUTOMATICALLY ADJUST FOR DAYLIGHT SAVING CHANGES (Regola automaticamente per le modifiche dell'ora legale) per aggiornare automaticamente l'ora con l'ora legale.

Day & Time Display (Visualizzazione data e ora)

Selezionare i formati data/ora da visualizzare.



Network

Il server DHCP (Dynamic Host Configuration Protocol) prevede una funzione che assegna automaticamente un indirizzo IP al dispositivo se vi è un dispositivo nella rete.

IT

Indirizzo IPv4

Obtain IP address via DHCP (Ottieni indirizzo IP tramite DHCP):

Ottiene l'indirizzo IP assegnato dal server DHCP (Dynamic Host Configuration Protocol).

Status (Stato)

'Allocated' indica che l'indirizzo IP viene ottenuto dal DHCP.

IP address (Indirizzo IP), Subnet mask, Gateway

Mostra l'indirizzo IP corrente ottenuto da DHCP

Use the following IP address (Utilizza il seguente indirizzo IP):

Selezionare questa casella per assegnare l'indirizzo IP manualmente.

Indirizzo IPv6

Selezionare la casella di controllo ENABLE (Consenti) per utilizzare l'indirizzo IPv6 e fare clic sul pulsante SAVE (Salve) per ricevere il nuovo indirizzo IPv6.

DNS

Obtain DNS address via DHCP (Ottieni l'indirizzo DNS tramite DHCP)

Ottiene l'indirizzo DNS assegnato automaticamente dal server DHCP.

Use the following DNS address (Utilizza il seguente indirizzo DNS)

Richiede l'immissione manuale come indicato di seguito.

- DOMAIN NAME (Nome dominio): immettere il dominio per il nome host
- PRIMARY DNS SERVER (Server DNS primario): immettere l'indirizzo IP del server DNS primario.
- SECONDARY DNS SERVER (Server DNS secondario): immettere l'indirizzo IP del server DNS secondario.



IT

Altre informazioni

Verificare sempre di aver eseguito l'upgrade all'ultima versione del firmware disponibile sul sito web eneo all'indirizzo www.eneo-security.com per disporre delle ultime funzioni del prodotto.

Il Manuale utente e altri strumenti software sono disponibili sul sito web eneo all'indirizzo www.eneo-security.com oppure sul CD fornito.

Per informazioni sulle soluzioni software di video management compatibili vedere la categoria Videomanagement sul sito www.eneo-security.com.

Software Open Source

Il software fornito con questo prodotto contiene software protetto da copyright il cui utilizzo viene concesso con licenze open source.

È possibile richiedere a Eneo il codice sorgente completo per un periodo di tre anni dopo l'ultima spedizione di questo prodotto inviando un'e-mail a: opensource@eneo-security.com.

La fornitura del codice sorgente completo su un supporto fisico come un CD-ROM può essere soggetta al pagamento del costo della distribuzione fisica del codice.

Per maggiori dettagli sul software Open Source consultare il sito web di eneo all'indirizzo www.eneo-security.com o il CD fornito con il prodotto.



eneo® is a registered trademark of
VIDEOR E. Hartig GmbH
Exclusive distribution through specialised
trade channels only.

VIDEOR E. Hartig GmbH
Carl-Zeiss-Straße 8
63322 Rödermark/Germany
Tel. +49 (0) 6074 / 888-0
Fax +49 (0) 6074 / 888-100
www.videor.com
www.eneo-security.com

Technical changes reserved

© Copyright by VIDEOR E. Hartig GmbH
Version 07/2017