



THE DISPLAY CHOICE
OF PROFESSIONALS™

www.agneovo.com

DF-55 Dual-Sided Display
User Manual

TABLE OF CONTENTS

| | |
|--|----|
| Important Safety Instructions | 1 |
| 1.1 Safety precautions and maintenance..... | 1 |
| 1.2 Use..... | 4 |
| 1.3 Installation Notes..... | 6 |
| Package Content | 9 |
| 2.1 Unpacking..... | 9 |
| 2.2 Accessories..... | 11 |
| 2.3 Overview..... | 13 |
| Setting Up the Display | 15 |
| 3.1 Step1 : Tear down the downside covers..... | 15 |
| 3.2 Step2 : Place the upside part into downside part..... | 16 |
| 3.3 Step3 : Connect the LVDS and 24V..... | 18 |
| 3.4 Step4 : Reinstall the downside covers..... | 19 |
| 3.5 Step5 : Open the user door, Connect by HDMI connector..... | 20 |
| 3.6 DF-55 Full Size Stand installation..... | 21 |
| 3.7 DF-55 Full Size Stand counterweight mounting position..... | 23 |
| 3.8 Using the Remote Control..... | 24 |
| 3.9 OSD Setting Menu..... | 25 |
| Trouble shooting | 29 |
| Specifications | 30 |
| Product Dimensions | 31 |

Important Safety Instructions

1.1 Safety precautions and maintenance



WARNING:

Use of control, adjustments or procedures other than those specified in this documentation may result in exposure to shock, electrical hazards and/or mechanical hazards.

Read and follow these instructions when connecting and using your display:

Operation:

- Keep the display out of direct sunlight and away from stoves or any other heat sources.
- Remove any object that could fall into ventilation holes of power box or prevent proper cooling of the display's electronics.
- Don't block the ventilation holes on the power box.
- When positioning the display, make sure the power plug and outlet are easily accessible.
- When turning off the display by detaching the power cord, wait 6 seconds before re-attaching the power cord for normal operation.
- Ensure the use of an approved power cord provided by AUO at all times. If your power cord is missing, please contact your local service center.
- Don't subject the display to severe vibration or high impact conditions during operation.
- Don't knock or drop the display during operation or transportation.
- Provide an earthing connection before the mains plug is connected to the mains. And, when disconnecting the earthing connection, be sure to disconnect after pulling out the mains plug from the mains.

Important Safety Instructions

Maintenance:

- To protect your display from possible damage, do not put excessive pressure on the display.
- Unplug the display if you are not going to use it for an extensive period of time.
- Unplug the display if you need to clean it with a slightly damp cloth. The screen may be wiped with a dry cloth when the power is off. However, never use organic solvent, such as, alcohol, or ammonia-based liquids to clean your display.
- To avoid the risk of shock or permanent damage to the set, do not expose the display to dust, rain, water or an excessively moist environment.
- If your display becomes wet, wipe it with dry cloth as soon as possible.
- If a foreign substance or water gets in your display, turn the power off immediately and disconnect the power cord. Then remove the foreign substance or water.
- Don't store or use the display in locations exposed to heat, direct sunlight or extreme cold.

Important Safety Instructions

Read and follow these instructions when connecting and using your display:

- Unplug the display if you are not going to use it for an extensive period of time.
- Unplug the display if you need to clean it with a slightly damp cloth. The screen may be wiped with a dry cloth when the power is off. However, never use alcohol, solvents or ammonia-based liquids.
- Consult a service technician if the display does not operate normally after having followed the instructions in this manual.
- Keep the display out of direct sunlight and away from stoves or any other heat sources.
- Remove any object that could fall into the vents or prevent proper cooling of the display's electronics.
- Don't block the ventilation holes on the power box.
- Keep the display dry. To avoid electric shock, do not expose it to rain or excessive moisture.
- When turning off the display by detaching the power cable or DC power cord, wait for 6 seconds before re-attaching the power cable or DC power cord for normal operation.
- To avoid the risk of shock or permanent damage to the set do not expose the display to rain or excessive moisture.
- When positioning the display, make sure the power plug and outlet are easily accessible.

Important Safety Instructions

1.2 Use

Remote Controller Precautions :

- This product requires remote switch (ON/OFF) from Front Side ; the Back Side only has OSD function operated by remote controller.

Front Side (450 nits)



Back Side(700 nits)



The Front Side have a user door.

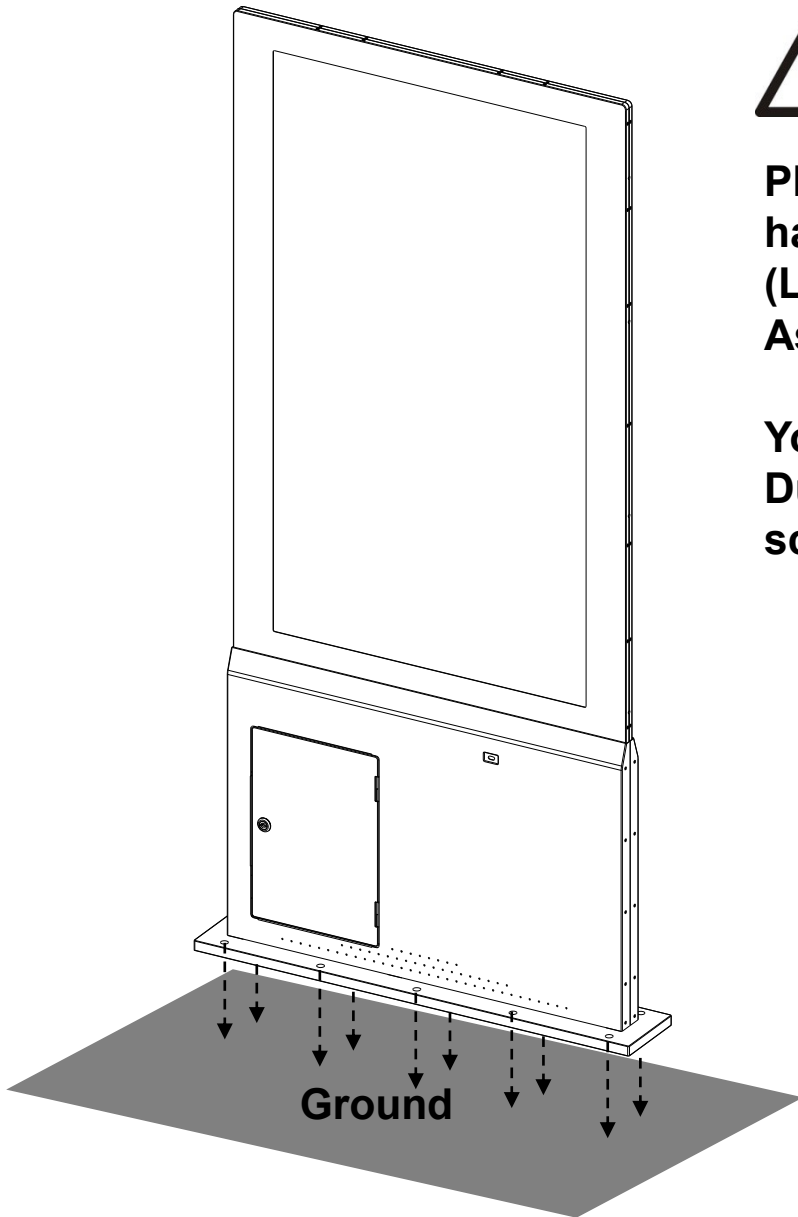
Important Safety Instructions

Disconnect devices:

- For pluggable equipment, the socket-outlet shall be installed near the equipment and shall be easily accessible.

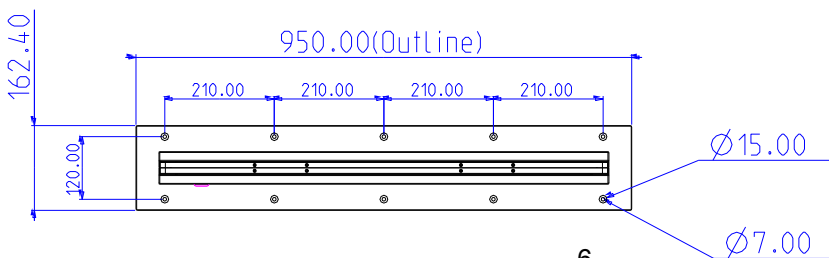
Important Safety Instructions

1.3 Installation Notes



Please make sure you have a solid installation. (Locks on the ground) As shown in the picture.

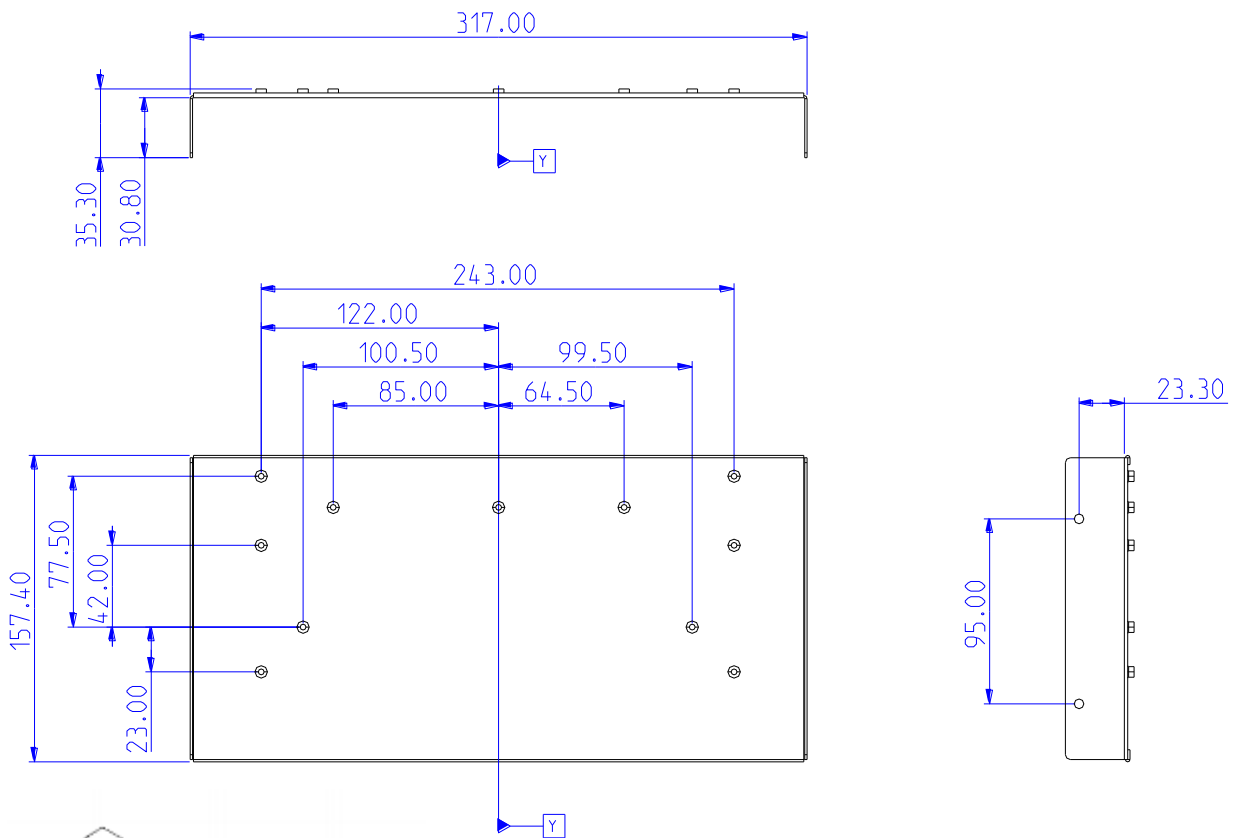
You can install Dual-sided display by screws x10 (M6x20mm)



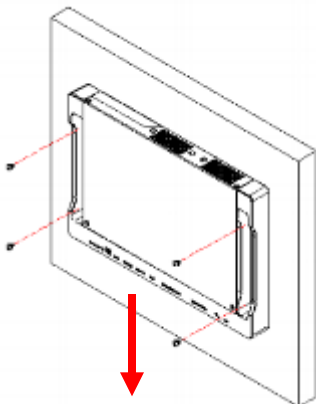
Important Safety Instructions

IPC installation:

- Dual-sided display (DF-55) contains a metal plat, it is used to fix your IPC.
- The relative position of the screw holes is shown below. You can choose the suitable screw holes to use.
- The dimensions of IPC space : 270*181*26.5mm



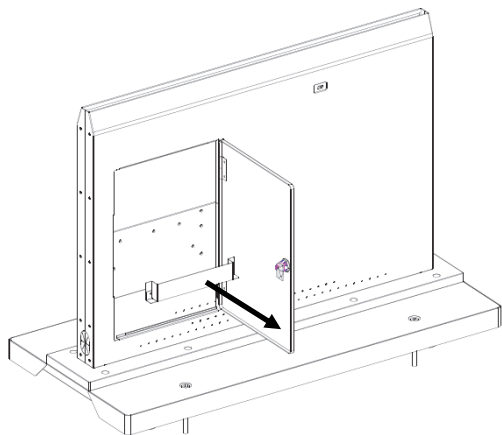
screws (M3x6.5mm)



**Please put the
IPC I/O
Interface down**

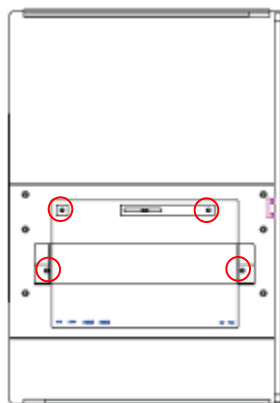
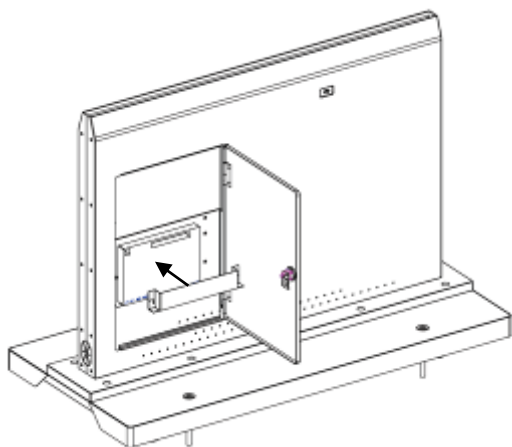
Important Safety Instructions

IPC installation:



1

Tear down the IPC fixed sheet metal first

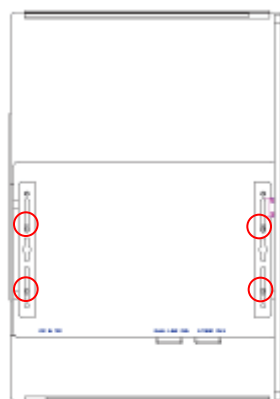
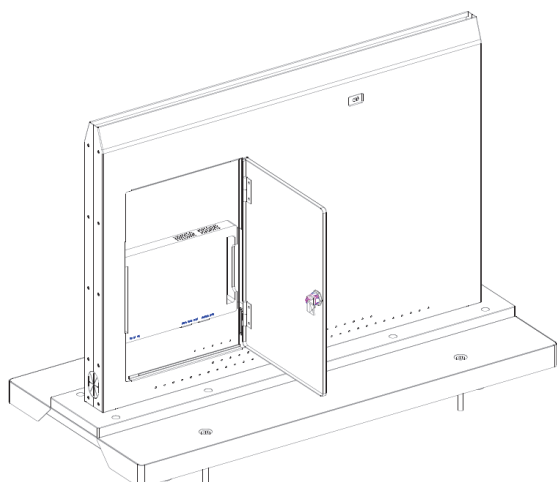


2

IPC01

Set & fix the IPC & Reinstall the IPC fixed sheet metal

By screws x 4 (M3x6.5mm)



IPC02

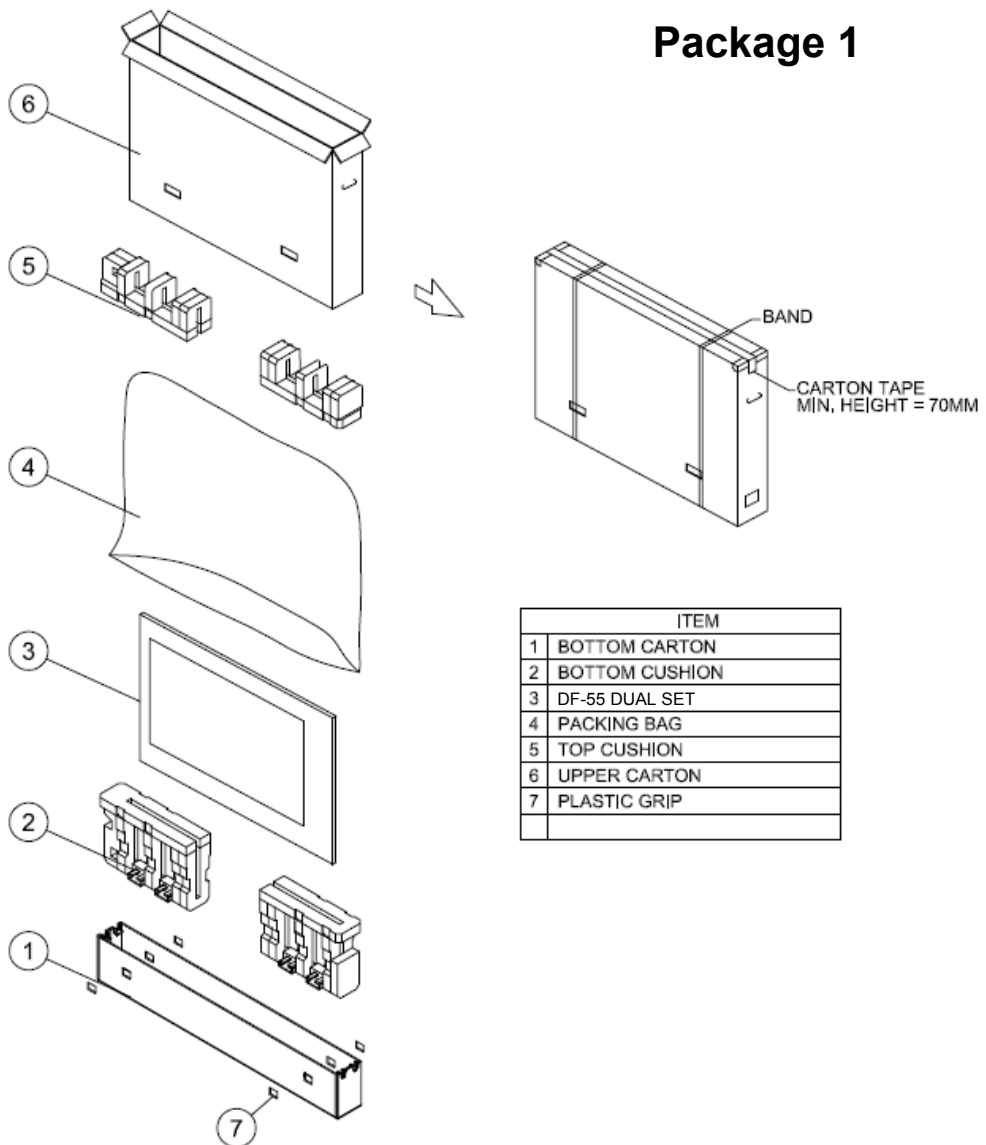
Set & fix the IPC (Don't need reinstall the IPC fixed sheet metal)

By screws x 4 (M3x6.5mm)

Package Content

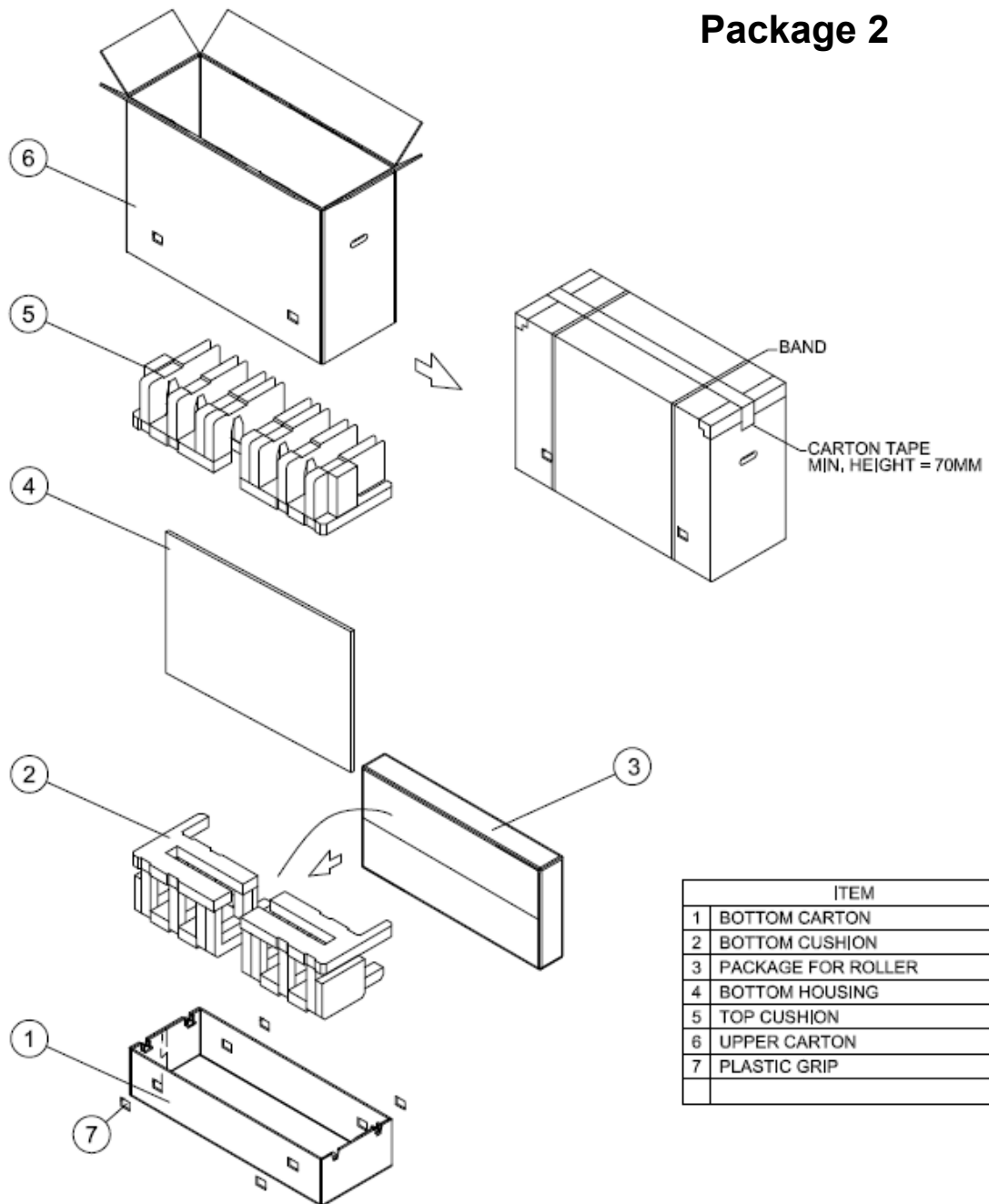
2.1 Unpacking

- This product is packed in a carton, together with the standard accessories.
- Due to the size and weight of this display it is recommended for two people to move it.
- After opening the carton, ensure that the contents are complete and in good condition.



Package Content

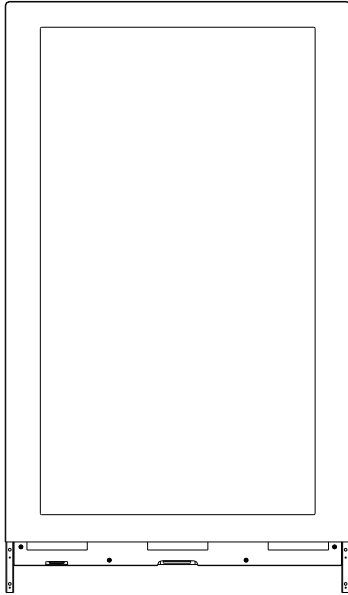
Package 2



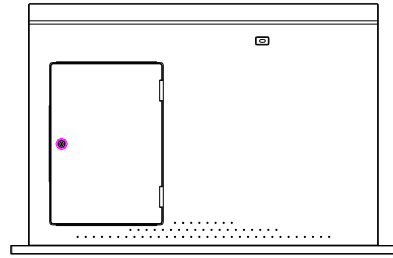
| ITEM | |
|------|--------------------|
| 1 | BOTTOM CARTON |
| 2 | BOTTOM CUSHION |
| 3 | PACKAGE FOR ROLLER |
| 4 | BOTTOM HOUSING |
| 5 | TOP CUSHION |
| 6 | UPPER CARTON |
| 7 | PLASTIC GRIP |
| | |

Package Content

2.2 Accessories



Dual-Sided Display
(upside part : DF-55 dual set)



Dual-Sided Display
(downside part :
Bottom housing)



Power Cord x1



Key x1



M5x30mm screw x2



M4x8mm screw x8

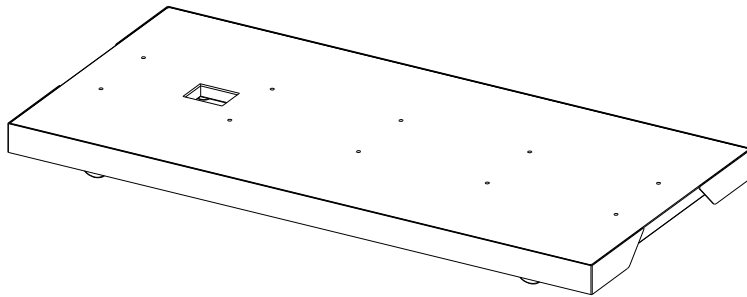


M6x20mm screw x10



Remote Controller x1
(Battery : CR 2025 3V)

Package Content



**Full Size Stand
(with wheels)**



M10x100mm screw x4

Package Content

2.3 Over View

Top View



Front View



Side View



Back View



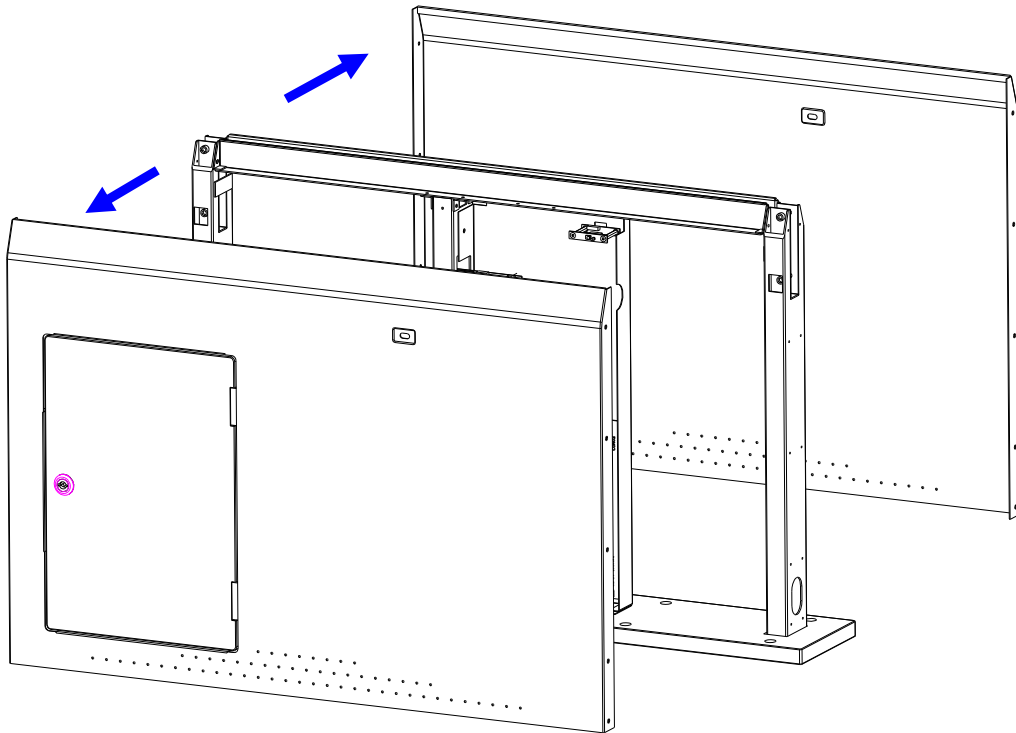
Package Content



1. Display (Dual-sided)
2. Display Set
3. Remote control sensor (Dual-sided)
4. Stand (with use hole x 10)
5. User Door (with locker)

Setting Up The Display

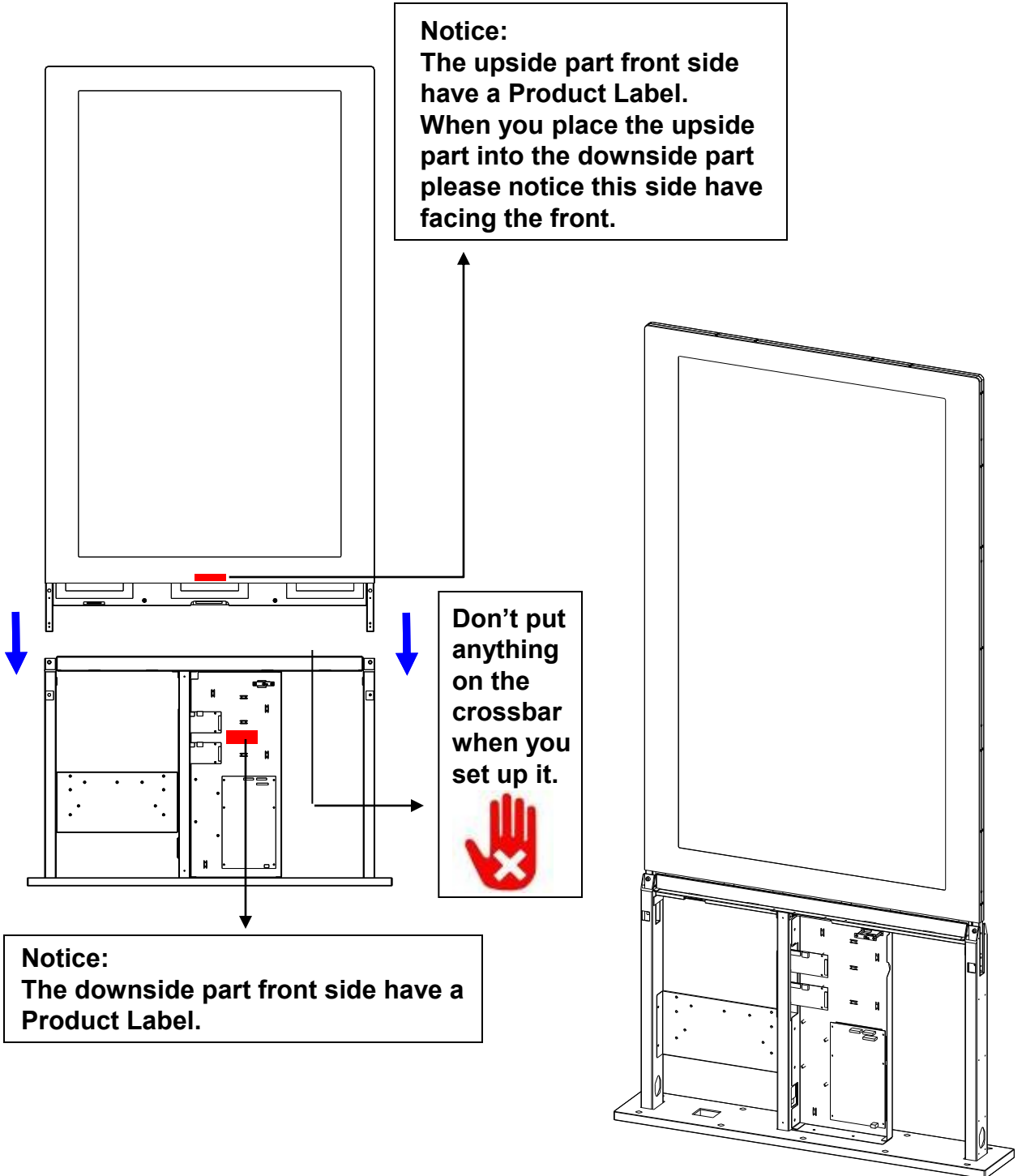
3.1 Step1 : Tear down the downside covers



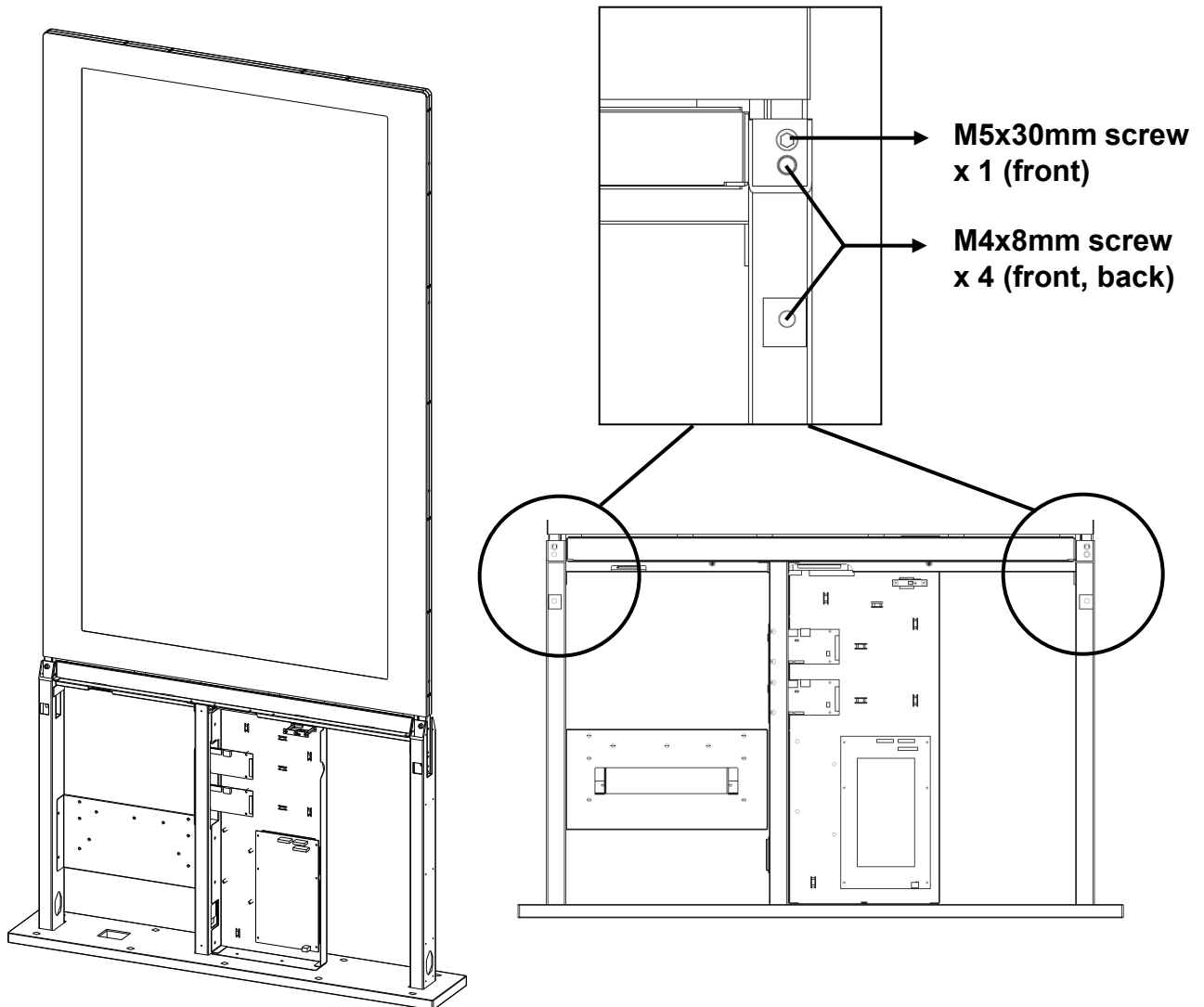
**Putting the down half part upside ,
and tear down the downside covers.
screws x 20 (M3x6mm)**

Setting Up The Display

3.2 Step2 : Place the upside part into downside part



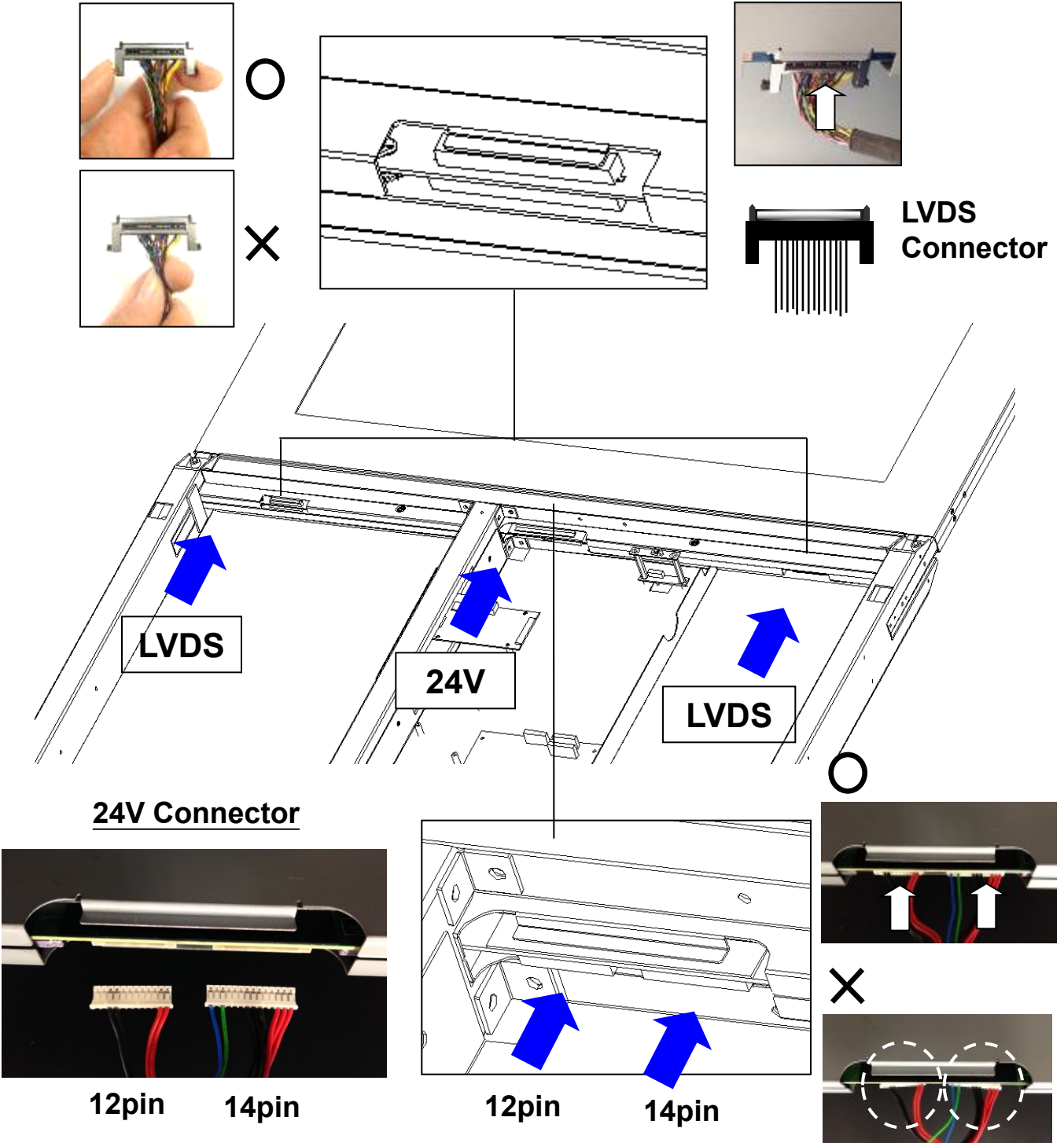
Setting Up The Display



**Place the upside part
into downside part
screws x 2 (M5x30mm)
screws x 8 (M4x8mm)**

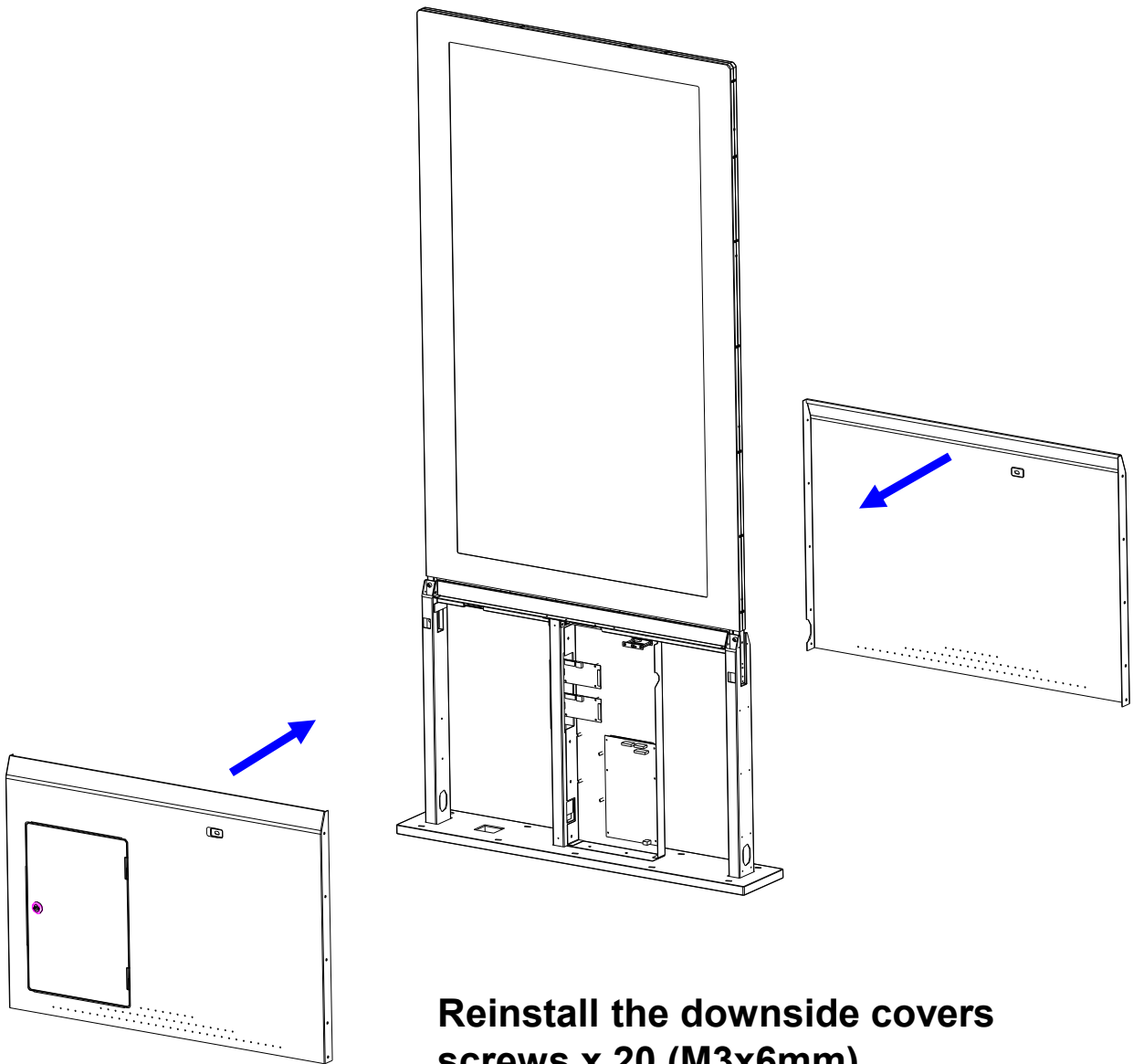
Setting Up The Display

3.3 Step3 : Connect the LVDS and 24V



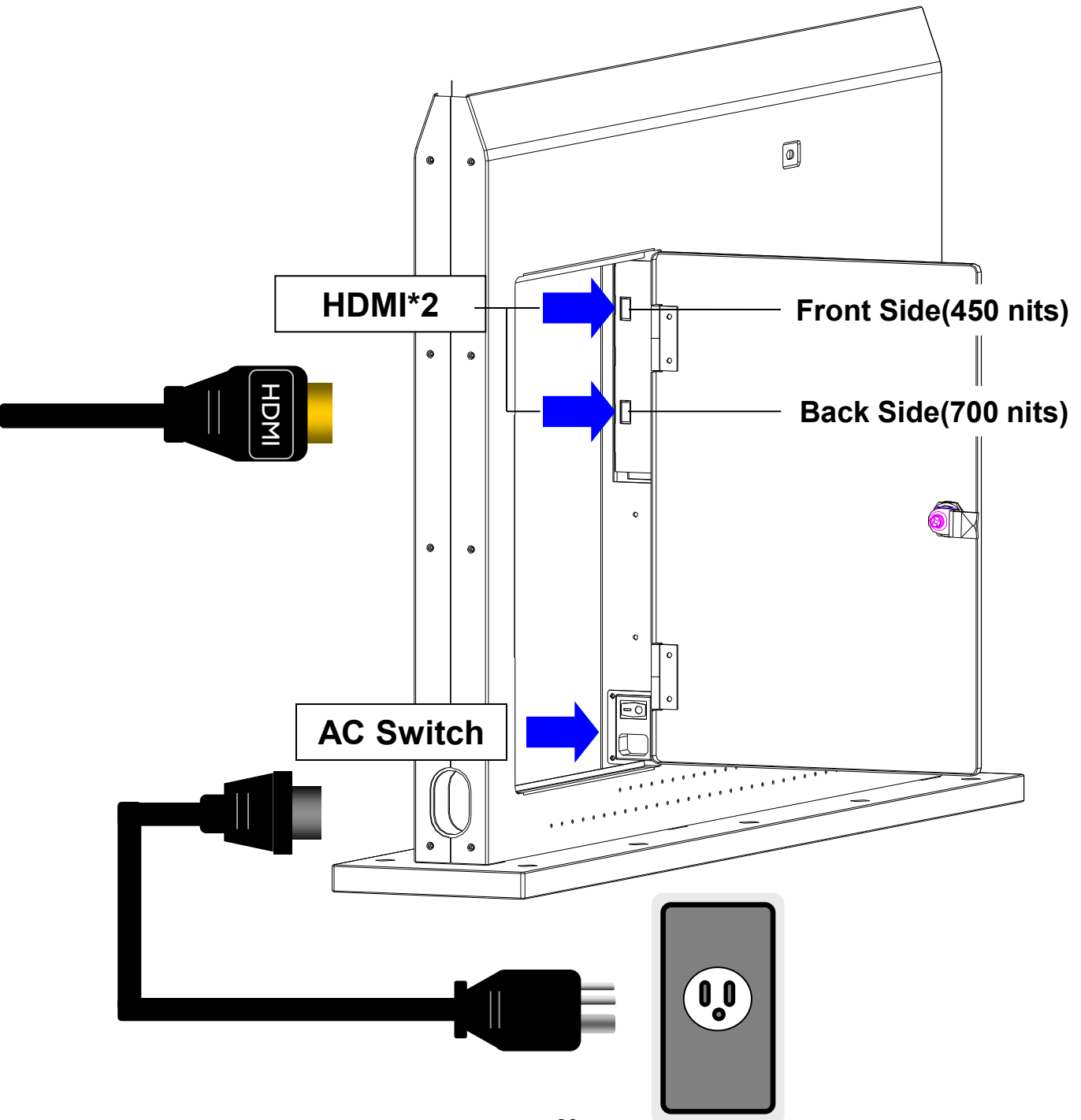
Setting Up The Display

3.4 Step4 : Reinstall the downside covers



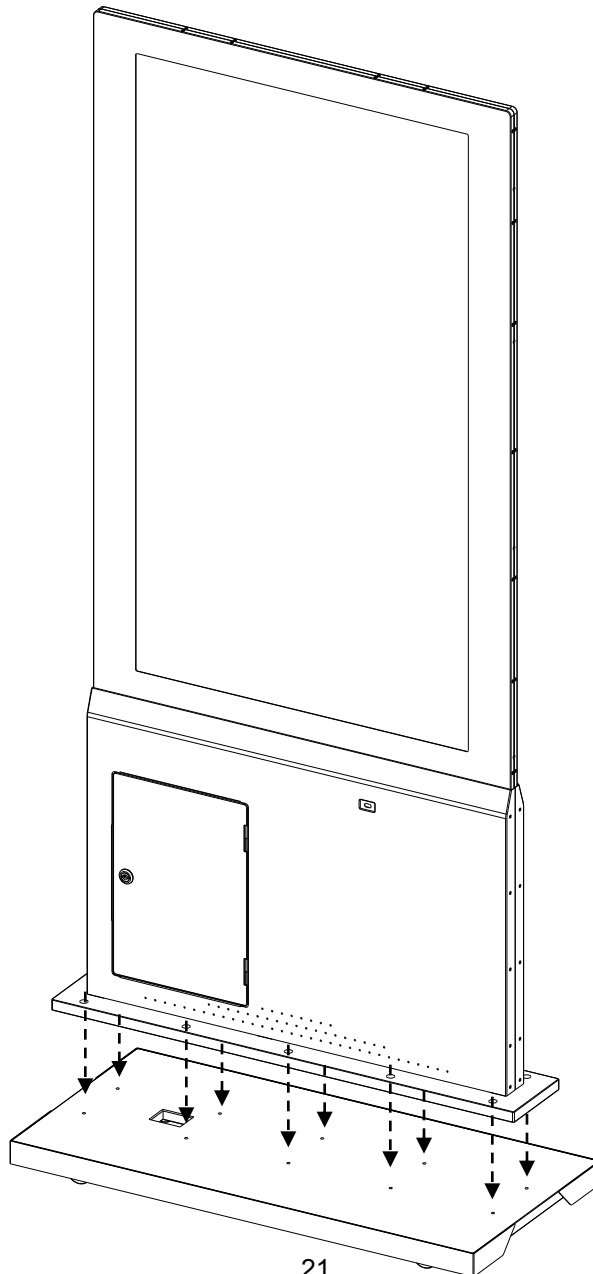
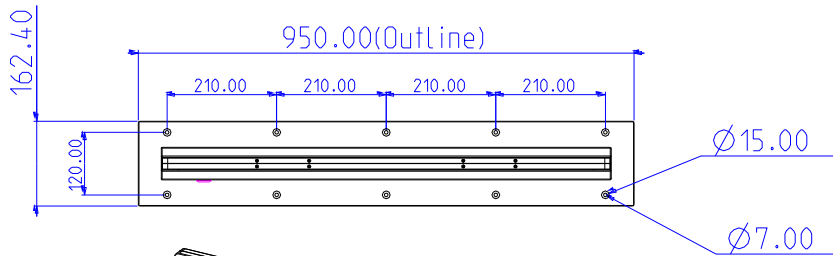
Setting Up The Display

3.5 Step5 : Open the user door, Connect by HDMI connector & AC switch (power cord)



Setting Up The Display

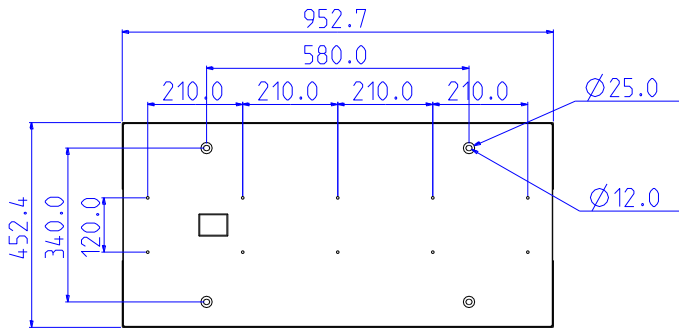
3.6 DF-55 Full Size Stand installation



- 1** Install the Full Size Stand (DF-55) screws x10 (M6x20mm)



Setting Up The Display

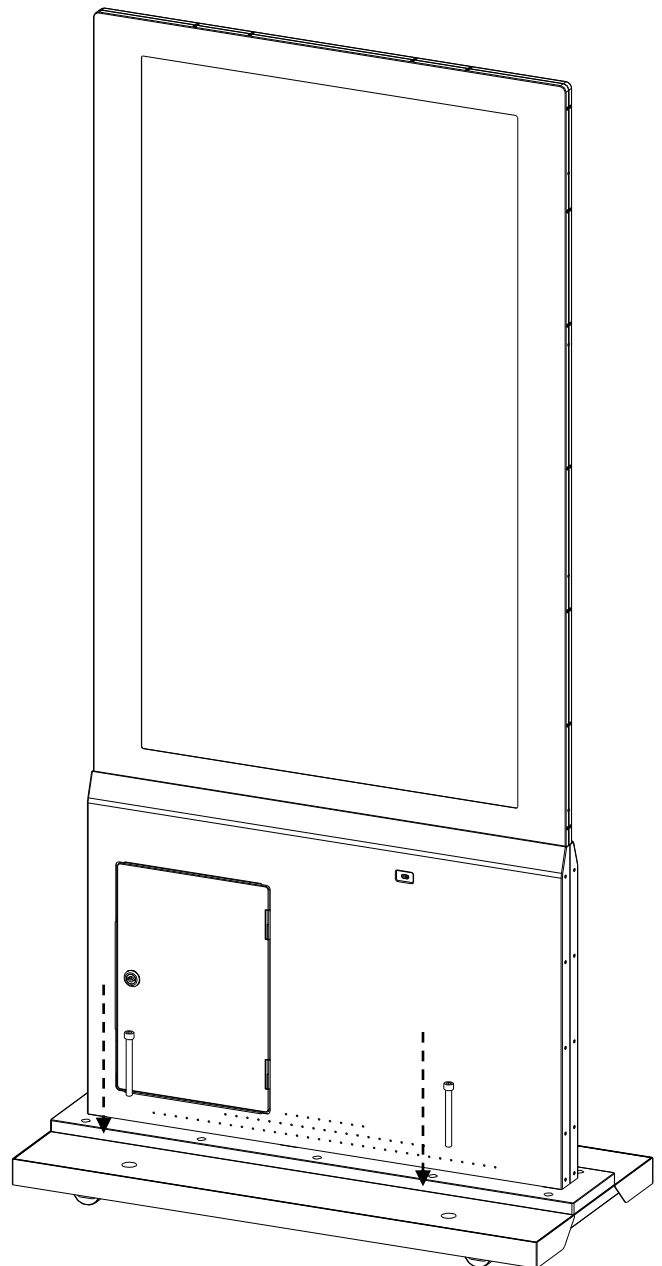


Fixed Wheel

(You can fix the wheel by this Brakes)

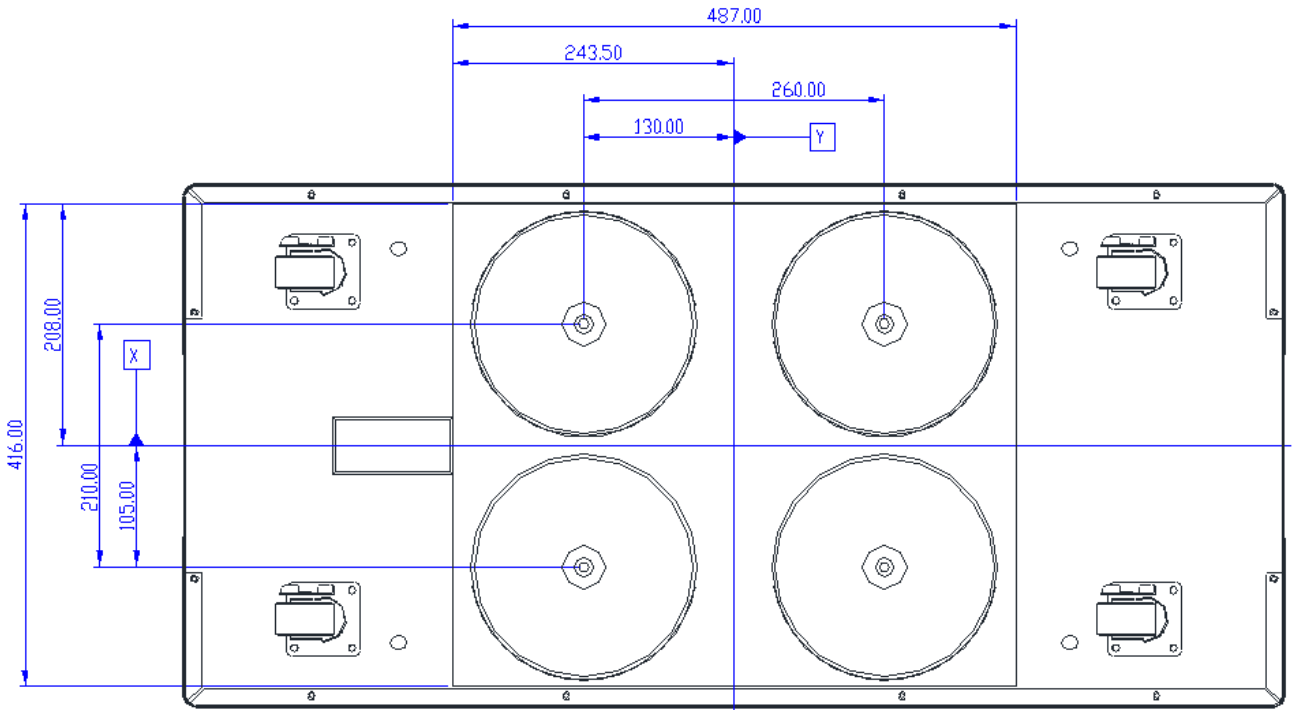
2

Using screws to secure the DF-55 on the ground screwsx4(M10x100mm)

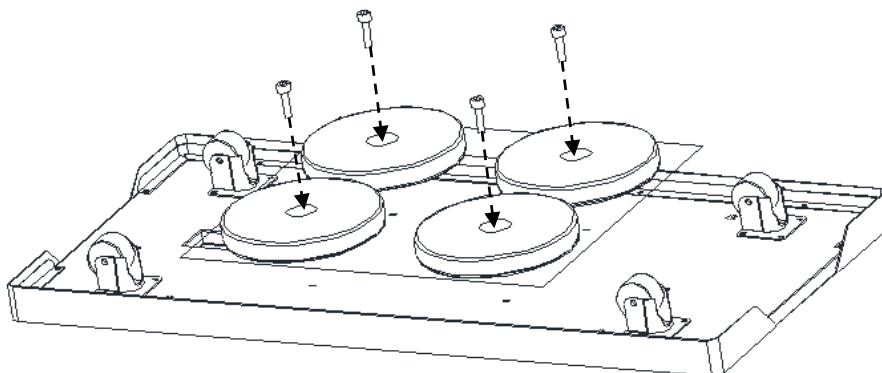


Setting Up The Display

3.7 DF-55 Full Size Stand counterweight mounting position



- The dimensions of Counterweight mounting position : 487*416*26.5mm
- Use M8 mounting screws x4
- Suggestion : the counterweight diameter of this working drawing is 195mm (as shown below)



Setting Up The Display

3.8 Step8: Using the Remote Control



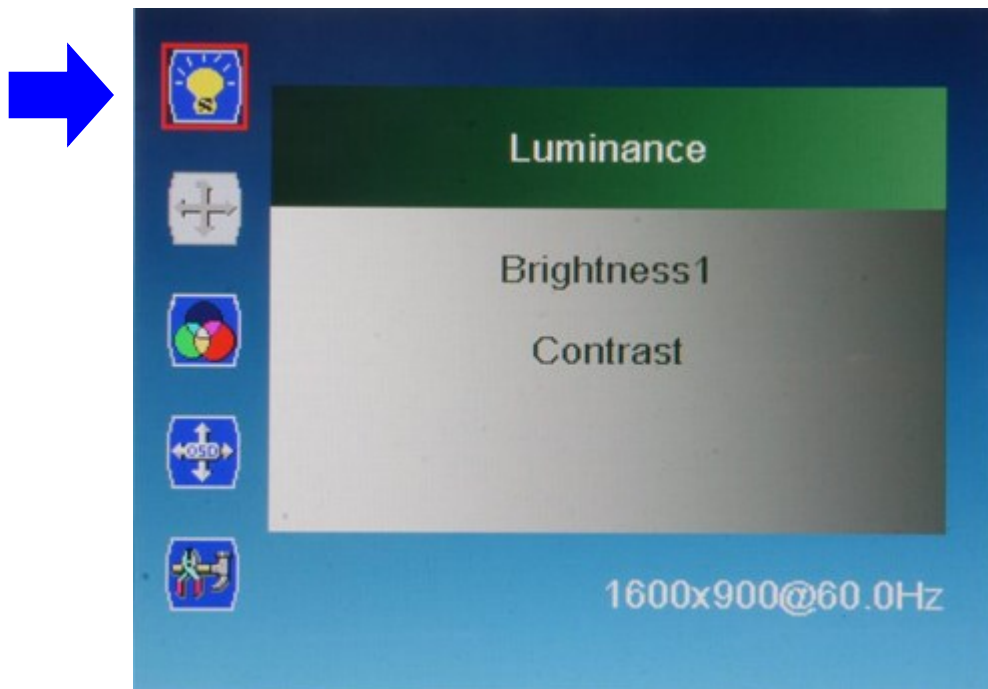
Notice:
This product requires remote switch (ON/OFF) from Front Side. (The Front Side have a user door)

| No. | Key | Descriptions |
|-----|-------|---------------------|
| 1 | Power | Power on/Power off |
| 2 | Menu | Into OSD module |
| 3 | ▲ | Menu Up |
| 4 | ▼ | Menu Down |
| 5 | Exit | Menu/Exit selection |

Setting Up The Display

3.9 OSD Setting Menu

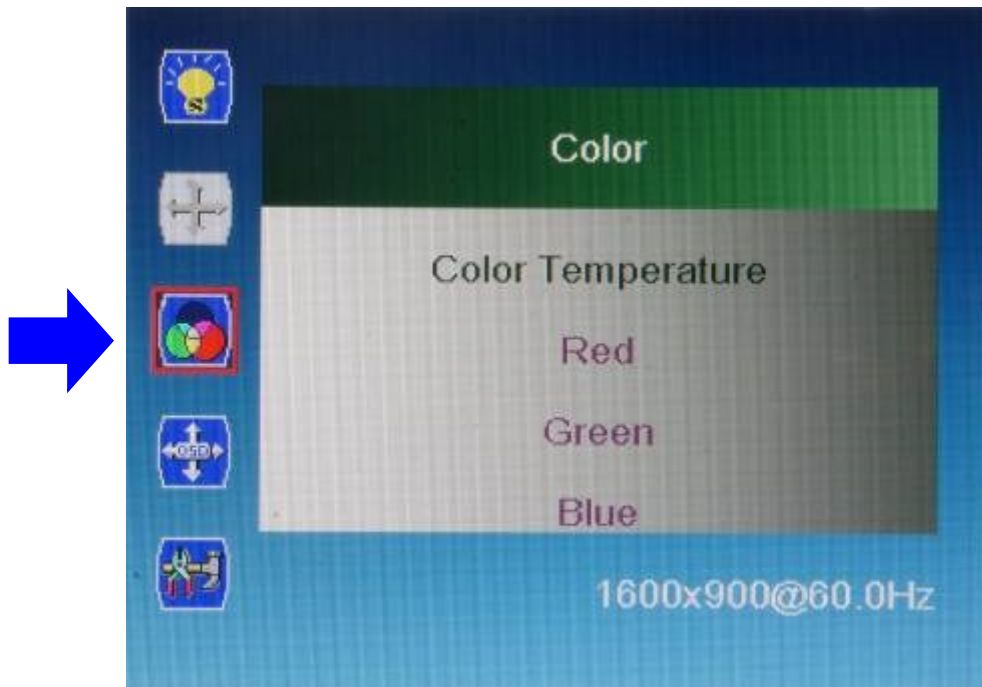
Press “MENU” into the OSD Setting Menu, and then press “UP” or “DOWN” to select the item, at last press “EXIT” to leave menu :



| | |
|------------------|---|
| Luminance | Press MENU to select one of the following, and then press “UP” or “DOWN” to select the desired level, --- Brightness1: Range: 0~100 ; Default: : 100 --- Contrast: Range: 0~100 ; Default : 50 |
|------------------|---|

Setting Up The Display

Press “MENU” into the OSD Setting Menu, and then press “UP” or “DOWN” to select the item, at last press “EXIT” to leave menu :



| | |
|--------------|--|
| Color | Press MENU to select one of the following, and then press “ UP ” or “ DOWN ” to select the desired level, --- Color Temperature: Range: 6500K, 9300K, 11500K, User Define Default: : 9300K If you choose the User Define , you can adjust red, green, blue gain and red, green blue offset; --- Red: 0~100 ; Default : 70 --- Green: 0~100 ; Default : 70 --- Blue: 0~100 ; Default : 70 |
|--------------|--|

Setting Up The Display

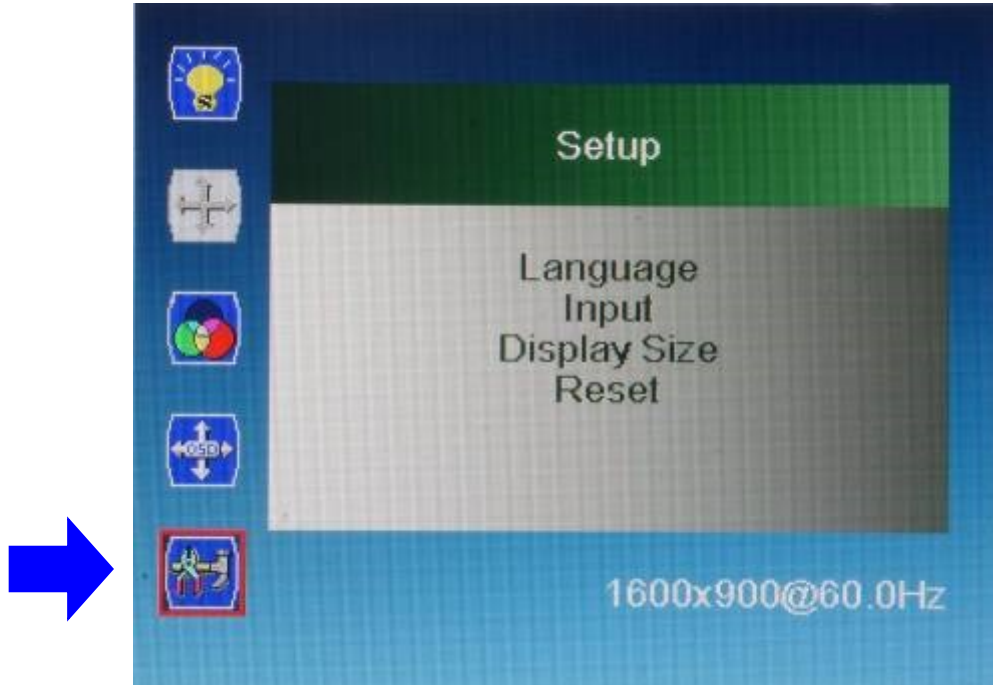
Press “MENU” into the OSD Setting Menu, and then press “UP” or “DOWN” to select the item, at last press “EXIT” to leave menu :



| | |
|---------------------|--|
| OSD Settings | Press MENU to select one of the following, and then press “UP” or “DOWN” to select the desired level, ---Horizontal: 0~100 ; Default : 50 ---Vertical: 0~100 ; Default : 50 ---Transparency: 0~4 ; Default : 0 ---OSD Time Out: 0~60 ; Default : 5 ---OSD Rotation: 0(0°),1(90°),2(180°),3(270°) ; Default : 0(0°) ; Setting Mode : 3(270°) Portrait |
|---------------------|--|

Setting Up The Display

Press “MENU” into the OSD Setting Menu, and then press “UP” or “DOWN” to select the item, at last press “EXIT” to leave menu :



| | |
|--------------|--|
| Setup | Press MENU to select one of the following, and then press “UP” or “DOWN” to select the item , --- Language: English / Español / Français / Deutsch / Italiano / Português / Русский / 简体中文 / 日本語 / 繁體中文 ; Default :English --- Input: HDMI1 / HDMI2 ; Default :HDMI2 --- Display Size: Full Screen / Smart Fit / 4:3 / Smart4:3 ; Default : Full Screen --- Reset: No / Yes ; Default : No |
|--------------|--|

Trouble shooting

| Symptom | Possible Cause | Remedy |
|---|---|---|
| No picture is displayed | <ol style="list-style-type: none"> 1. The power cord is disconnected. 2. The main power switch on the back of the display is not switched on. 3. The selected input has no connection. 4. The display is in standby mode. | <ol style="list-style-type: none"> 1. Plug in the power cord. 2. Make sure the power switch is switched on. 3. Connect a signal connection to the display. |
| Interference displayed on the display or audible noise is heard | Caused by surrounding electrical appliances or fluorescent lights | Move the display to another location to see if the interference is reduced. |
| Color is abnormal | The signal cable is not connected properly. | Make sure that the signal cable is attached firmly to the back of the display. |
| Picture is distorted with abnormal patterns | <ol style="list-style-type: none"> 1. The signal cable is not connected properly. 2. The input signal is beyond the capabilities of the display. | <ol style="list-style-type: none"> 1. Make sure that the signal cable is attached 2. Check the video signal source to see if it is beyond the range of the display. Please verify its specifications with this display's specification section. |
| After-Images can still be seen on the display after the display is powered off. | A still picture is displayed for an over extended period of time. | Do not allow a still image to be displayed for an extended period of time as this can cause a permanent after-image to remain on the display. |

Specifications

| | | |
|---------------------------------|--------------------|---|
| LCD Display 55" | Model name | DF-55 |
| | Screen size | 55 inch (diagonal) |
| | Resolution | 1920 x1080 (Pixel) |
| | Display Area | 1209.6(H) x 680.4(V) |
| | Contrast Ratio | 3000:1 |
| | Brightness | 450 nits / 700 nits |
| | View angle | 178° (H); 178° (V) |
| | Color Gamut | 72 (%) |
| | Surface Treatment | Haze 11%,3H |
| Input Connectivity | HDMI*2 | |
| Power | Input | AC100-240V,50-60Hz,2.7A |
| | Power Consumption | 230 W (typ.) |
| | Light source | LED |
| SET | Dimension | 2029.7 x 861.9 x 23.4(U)/ 62.4(D) mm Stand: 452.4 x 952.7mm (Top view) |
| | Weight | 94.5 KG |
| | Material | SECC |
| | Surface Treatment | Painting in Black color |
| Packing | Dimension | 1609*176*968 mm (box1) 1068*400*735 mm (box2) |
| | Weight | 48 KG (box1), 62KG (box2) |
| Environmental Conditions | Operating Temp. | 0 ~ 40°C |
| | Operating Humidity | 20% ~ 80% |

Product Dimensions

