



ET4111Pp Series

Unmanaged Industrial 4-port 10/100Base-TX + 1-port 100Base-FX SFP Ethernet Switch with PoE+

This quick start guide describes how to install and use the Industrial PoE Unmanaged Ethernet Switch. This is the Switch of choice for harsh environments.

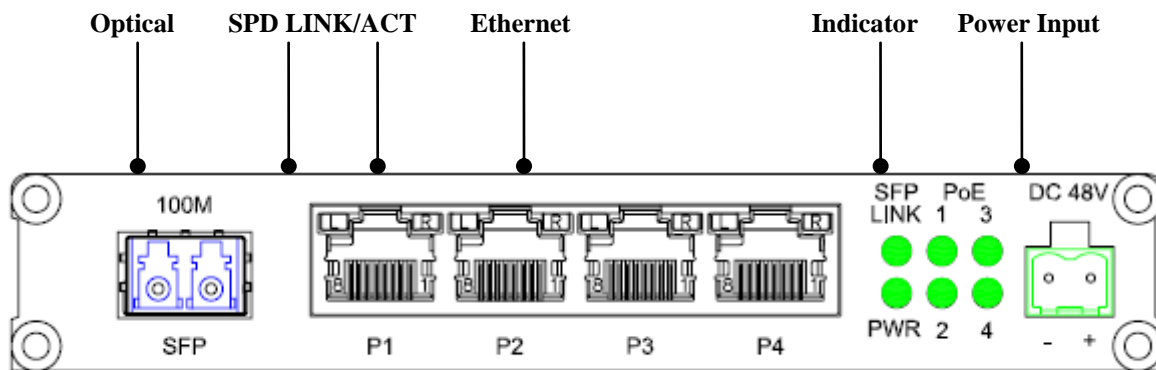
Overview

The ET4111Pp-S product is an industrial unmanaged switch which provides 4 port 10/100Base-TX + 1x100Base-FX SFP port. The 10/100Base-TX ports supports PoE (Power Sourcing Equipment) and compliant with IEEE 802.3at.

Compliant with IEEE 802.3 10Base-T, IEEE802.3u 100Base-Tx, IEEE 802.3x, and IEEE802.3at. The product will provide PoE power to any IEEE802.3at compliant network device. With its reliable design and ease of use, the product is a great choice for integrating networks consisting of network devices such as IP cameras and wireless access points between remote locations.

Physical Description

Front Panel



General

To ensure trouble free transportation and storage, all OT Systems products must be thoroughly inspected, tested and well packed before delivery. Check the product upon receipt for any visible damage which may have been caused during shipping.

The product can be mounted on walls or rest on table tops and operates with an external 48V power adapter.



ET4111Pp Series

Unmanaged Industrial 4-port 10/100Base-TX + 1-port 100Base-FX SFP Ethernet Switch with PoE+

Installation

1. Connect one end of the Ethernet cables to their corresponding ports on the product. Connect the other end to the network equipment such as IP cameras, Switches or PCs. Insert the SFP and connect the optical fiber cables to its connectors.
2. Connect the product with the power adapter and switch on the product, the PWR indicator should then be ON. If it is not, please check whether the power cable is connected properly and the power supply functions normally.
3. After all cables are connected, corresponding indicators will be on. Please refer to the **Operational Instructions** for detail descriptions.

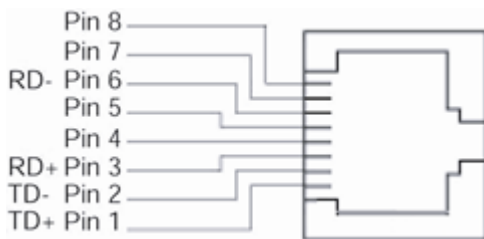
Cable Connections

Signal Type	Cable Type	Connector
Ethernet	Cat. 5 or above	RJ45
Optical	SM/MM Optical fiber cable (depends on SFP)	LC
Power supply	Power cable	2-pin Terminal Block

Interface

Ethernet Port:

RJ45 Pin Assignment:



Pin	Assignment
1	Output Transmit Data +
2	Output Transmit Data -
3	Input Receive Data +
4	Positive (VCC+)
5	Positive (VCC+)
6	Input Receive Data -
7	Negative (VCC-)
8	Negative (VCC-)

Power Connector:

Description	Pin		
	-	+	
Power Input	GND	+48V (DC)	



ET4111Pp Series

Unmanaged Industrial 4-port 10/100Base-TX + 1-port 100Base-FX SFP Ethernet Switch with PoE+

Operational Instructions

Indicators

Indicator	Color	Status	Description	
PWR	Green	ON	Powered on	
SFP LINK	Green	ON	Fiber link up	
		Blinking	The fiber link is receiving or transmitting data	
		OFF	Fiber is not connected or fiber link down	
PoE (1-4)	Green	ON	PoE is activated.	
		Blinking	A Power Device (PD) is being detected.	
		OFF	No device is connected or the connected device is not a PD.	
RJ45 Port (P1-P4)	LINK/ACT	Green	ON	A network device is connected
			Blinking	The connected device is transmitting or receiving data.
			OFF	No network device is connected
	SPD	Orange	ON	100Base-TX
			OFF	10Base-TX mode

Ports

P1-P4	Ethernet ports
SFP	Fiber port
Power Input	DC 48V input

Functional Description

- Supports IEEE802.3at Power over Ethernet (POE+)
- 1 SFP (mini-GBIC) supports 10/100Base-FX speed
- Support Auto-Negotiation and Auto-MDI/MDI-X
- Support Store-and-Forward Transmission
- Support Wall-mount installation
- -10°C to 60°C (14°F to 140°F) operating temperature

Assembly, Startup, and Dismantling

Wall Mounting Installation

- Assembly: Mount the standalone unit onto a fixture, e.g. a plank, (either on the wall or on a flat surface) with at least 2 screws piercing through the holes on the mounting frame to secure it in position.
- Startup: Connect the supply voltage to start up the Switch via the terminal block.
- Dismantling: Locate and remove the securing screws. Usually, but not limited to, at least 2 screws.

Manual Earth Green manual is available on our website www.ot-systems.com