

CCTV MINI VANDAL DOME CAMERA

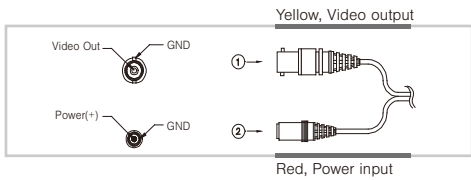
700TVL High Resolution Mini Dome Camera



USER GUIDE MANUAL

Before attempting to connect or operate this product, Please read these instructions carefully and save this manual for future use

Power and Video connection



Unpacking

Below items should be included with the camera. Please check the items before use.

• Surface Mount

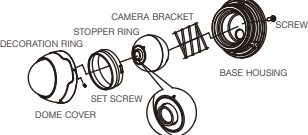


• Flush Mount

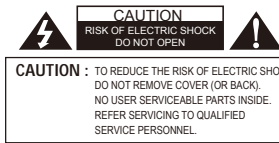
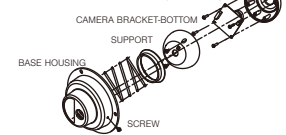


Camera Structure

• Surface Mount



• Flush Mount



The lightning flash with arrowhead symbol, within an equilateral triangle is intended to alert the user to the presence of uninsulated "dangerous voltage" within the product's enclosure that may be of sufficient magnitude to constitute a risk of electric shock to persons.



The exclamation point within an equilateral triangle is intended to alert the user to the presence of important operating and maintenance (servicing) instructions in the literature accompanying the appliance.

Regulatory Notice

This device complies with Part 15 of the FCC Rules. Operation is subject to the following two conditions : (1) This device may not cause harmful interference, and (2) this device must accept any interference received, including interference that may cause undesired operation. This equipment has been tested and found to comply with the limits for a Class A digital device, pursuant to Part 15 of the FCC Rules. These limits are designed to provide reasonable protection against harmful interference in a residential installation.

This equipment generates, uses, and can radiate radio frequency energy and, if not installed and used in accordance with the instructions, may cause harmful interference to radio communications. Operation of this equipment in a residential area is likely to cause interference, in which case the user will be required to correct the interference at his own expense.

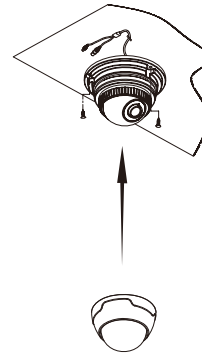
WARNING - Changes or modifications not expressly approved by the manufacturer could void the user's authority to operate the equipment.

CAUTION : To prevent electric shock and risk of fire hazards:

- ◆ Do NOT use other than specified power source.
- ◆ Do NOT expose this appliance to rain or moisture.

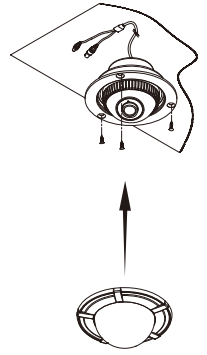
• Surface mount

- ① Fix the BASE HOUSING to the desired place with screws supplied.
- ② Adjust desired scene by turning and moving the CAMERA BRACKET.
- ③ Put the DOME COVER over the BASE HOUSING and turn it clockwise by hand.
- ④ To fix DOME COVER tight, use SET SCREW.



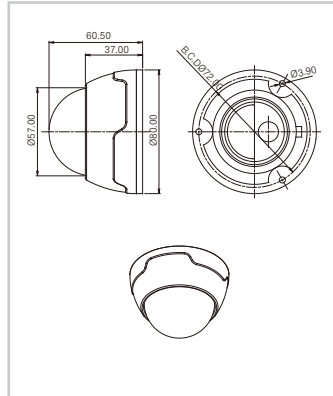
• Flush mount

- ① Use "Ceiling processing sticker" on the desired place to install camera and make a hole on that place.
- ② Place the BASE HOUSING on the hole and fix it with screws supplied.
- ③ Adjust desired scene by turning and moving the CAMERA BRACKET.
- ④ Put the DOME COVER over the BASE HOUSING and turn it clockwise by hand.

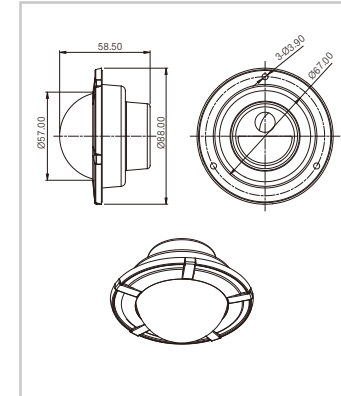


Dimensions(mm)

• Surface Type



• Flush Type



Specifications

Specifications are subject to without notice.

Signal Format	NTSC	PAL
Image Device	1/3 " 520K Color IT-CCD	
Resolution	700 TV Lines	
Total Pixels	518K pixels	607K pixels
Effective Pixels	482K pixels	568K pixels
Shutter Speed	1/60 ~ 120,000sec	1/50 ~ 120,000sec
Sync. System	Internal	
S/N Ratio	More Than 50dB	
Iris Control	Electronic	
Video Output	Composite (1.0Vp-p/75 Ohm)	
Temperature	-10°C ~ +50°C	
Power supply	DC 12V(±10%)	
Humidity	RH 85% MAX	
Power Consumption	Max.1.5W	